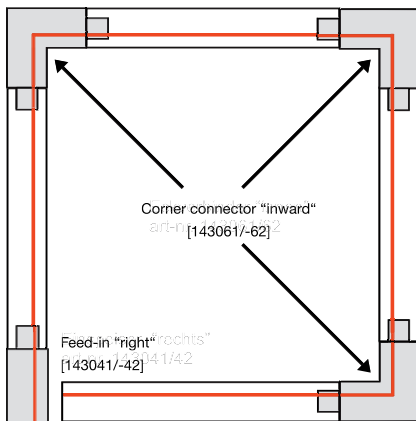
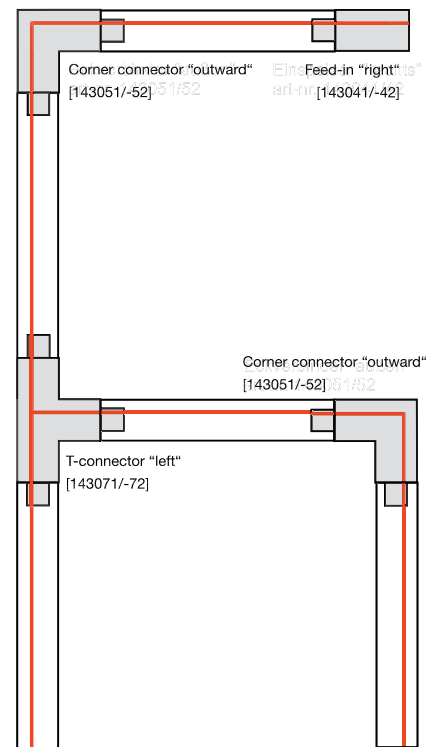


The displayed components and installation examples are shown in a top view from the ceiling.  
The red line represents the earth conductor.

Example 1



Example 2



Example 3 [2 circuits]

