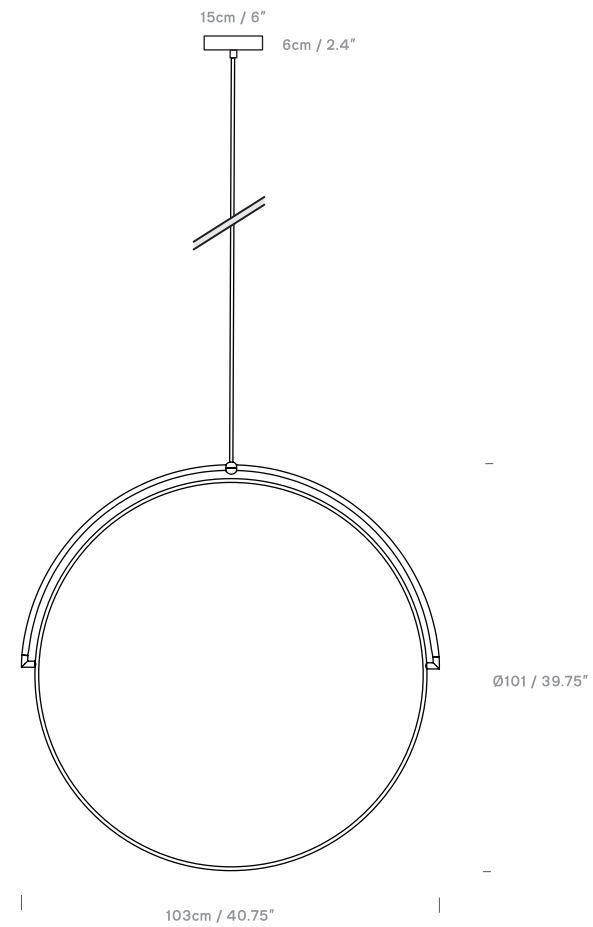


**Kepler 65**

UK/EU PK04914502  
USA PK04934502



**Kepler 95**

UK/EU PK04915802  
USA PK04935802

**innermost**

KEPLER PK0491XX-02

This luminaire contains built-in LED lamps

A++
A+
A
B
C
D
E

}

LED

This lamp cannot be changed in the luminaire.

874/2012

**Product Category**

Pendant

**Material**

Polycarbonate, steel, Mirco-weave fabric

**Cable**

4m PVC Cable + optional 1.5m rod for fixed mounting

**Ceiling Rose**

Black cylindrical

**Lightsource**

Kepler 65 UK/EU 240v, USA 120v, 10.5W, 1100 Lumen LED Unit  
Kepler 95 UK/EU 240v, USA 120v, 15W, 1600 Lumen LED Unit  
CE certified, CRI 80, Triac / Lutron Dimmable  
1100 / 1600 Lumen 3000K LED Unit  
120° Beam Angle

**Other**

Maximum thickness at ball joint 3cm/ 1.25"