



PRODUCT SPECIFICATION

GENERAL

FINISH:	Antique Brass	CABLE LENGTH:	Not Applicable
MAIN MATERIAL:	Metal - Brass (H62)	GROSS WEIGHT:	1.16 (Kg)
DIMENSIONS:	D: 106.5mm DIA: 115mm	CLASS:	CE (Class III)
INSTALLATION ORIENTATION:	Wall Mount	IP RATING:	IP65
CUT OUT HOLE:	103mm/4-1/8"	BATHROOM ZONE:	Zone 1, 2, 3
RECESS DEPTH:	83.5mm	VOLTAGE:	Constant Current 700mA
FIRE RATING:	Not Applicable	PRODUCT F MARK:	Not Applicable

LAMP

LIGHT SOURCE:	High Power LED	MACADAM ELIPSE:	3-Step
MAXIMUM WATTAGE:	2W	UGR:	Not Applicable
MAXIMUM LAMP LENGTH:	Not Applicable	BEAM ANGLE:	To Be Advised
LAMP INCLUDED?	Yes	TILT ADJUSTMENT ANGLE:	Not Applicable
LUMINOUS FLUX:	60.52 (lm)	ROTATION ADJUSTMENT ANGLE:	Not Applicable
COLOUR TEMP:	2700 (K)	AVERAGE LIFESPAN:	To Be Advised
CRI:	80	L70:	Not Applicable
R9:	5.8		

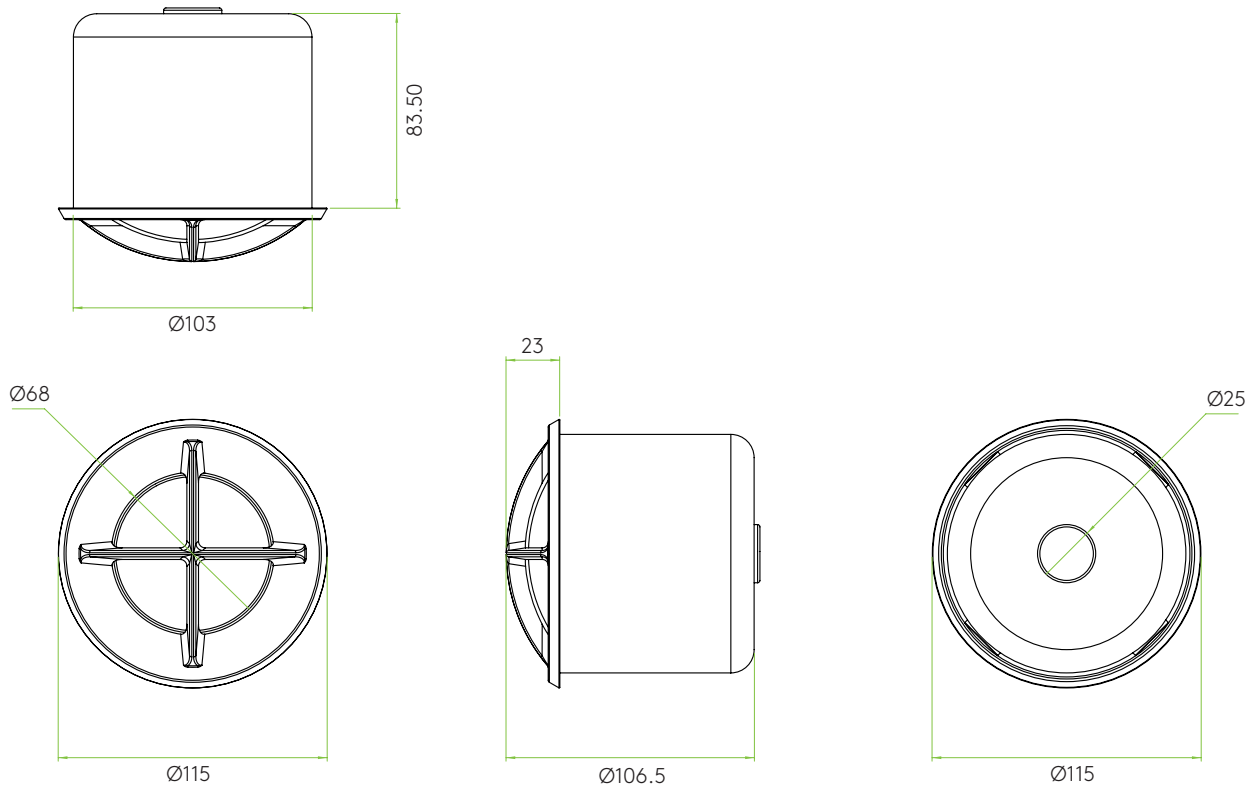
ELECTRICAL

SWITCHED:	No	SUPPLY FREQUENCY:	Not Applicable
DIMMABLE:	Yes	DRIVER / BALLAST VOLTAGE:	Not Applicable
DIMMING METHOD:	Control Gear Dependent	DRIVER AVERAGE LIFESPAN:	Not Applicable
DRIVER OUTPUT CURRENT:	Not Applicable	EFFICACY:	13.7 (lm/W)
DRIVER OUTPUT VOLTAGE:	Not Applicable	DRIVER / BALLAST INCLUDED?	No

PRODUCT ELEVATIONS

CARE INSTRUCTIONS

Please note the patina caused through aging can be polished-back to restore the original finish if desired. We recommend that the product is rinsed with fresh water periodically to remove any excess salt deposits. A ten-year warranty is offered on all products within the Coastal collection, except those that have integral LEDs or drivers, which are subject to our standard three-year warranty.





PRODUCT SPECIFICATION

GENERAL

FINISH:	Antique Brass	CABLE LENGTH:	Not Applicable
MAIN MATERIAL:	Metal - Brass (H62)	GROSS WEIGHT:	1.224 (Kg)
DIMENSIONS:	H: 105mm W: 105mm D: 104mm	CLASS:	CE (Class III)
INSTALLATION ORIENTATION:	Wall Mount	IP RATING:	IP65
CUT OUT HOLE:	H: 88mm W: 88mm	BATHROOM ZONE:	Zone 1, 2, 3
RECESS DEPTH:	84mm	VOLTAGE:	Constant Current 700mA
FIRE RATING:	Not Applicable	PRODUCT F MARK:	Not Applicable

LAMP

LIGHT SOURCE:	High Power LED	MACADAM ELIPSE:	3-Step
MAXIMUM WATTAGE:	2W	UGR:	Not Applicable
MAXIMUM LAMP LENGTH:	Not Applicable	BEAM ANGLE:	To Be Advised
LAMP INCLUDED?	Yes	TILT ADJUSTMENT ANGLE:	Not Applicable
LUMINOUS FLUX:	46.52 (lm)	ROTATION ADJUSTMENT ANGLE:	Not Applicable
COLOUR TEMP:	2700 (K)	AVERAGE LIFESPAN:	To Be Advised
CRI:	80	L70:	Not Applicable
R9:	5.8		

ELECTRICAL

SWITCHED:	No	SUPPLY FREQUENCY:	Not Applicable
DIMMABLE:	Yes	DRIVER / BALLAST VOLTAGE:	Not Applicable
DIMMING METHOD:	Control Gear Dependent	DRIVER AVERAGE LIFESPAN:	Not Applicable
DRIVER OUTPUT CURRENT:	Not Applicable	EFFICACY:	10.52 (lm/W)
DRIVER OUTPUT VOLTAGE:	Not Applicable	DRIVER / BALLAST INCLUDED?	No

PRODUCT ELEVATIONS

CARE INSTRUCTIONS

Please note the patina caused through aging can be polished-back to restore the original finish if desired. We recommend that the product is rinsed with fresh water periodically to remove any excess salt deposits. A ten-year warranty is offered on all products within the Coastal collection, except those that have integral LEDs or drivers, which are subject to our standard three-year warranty.

