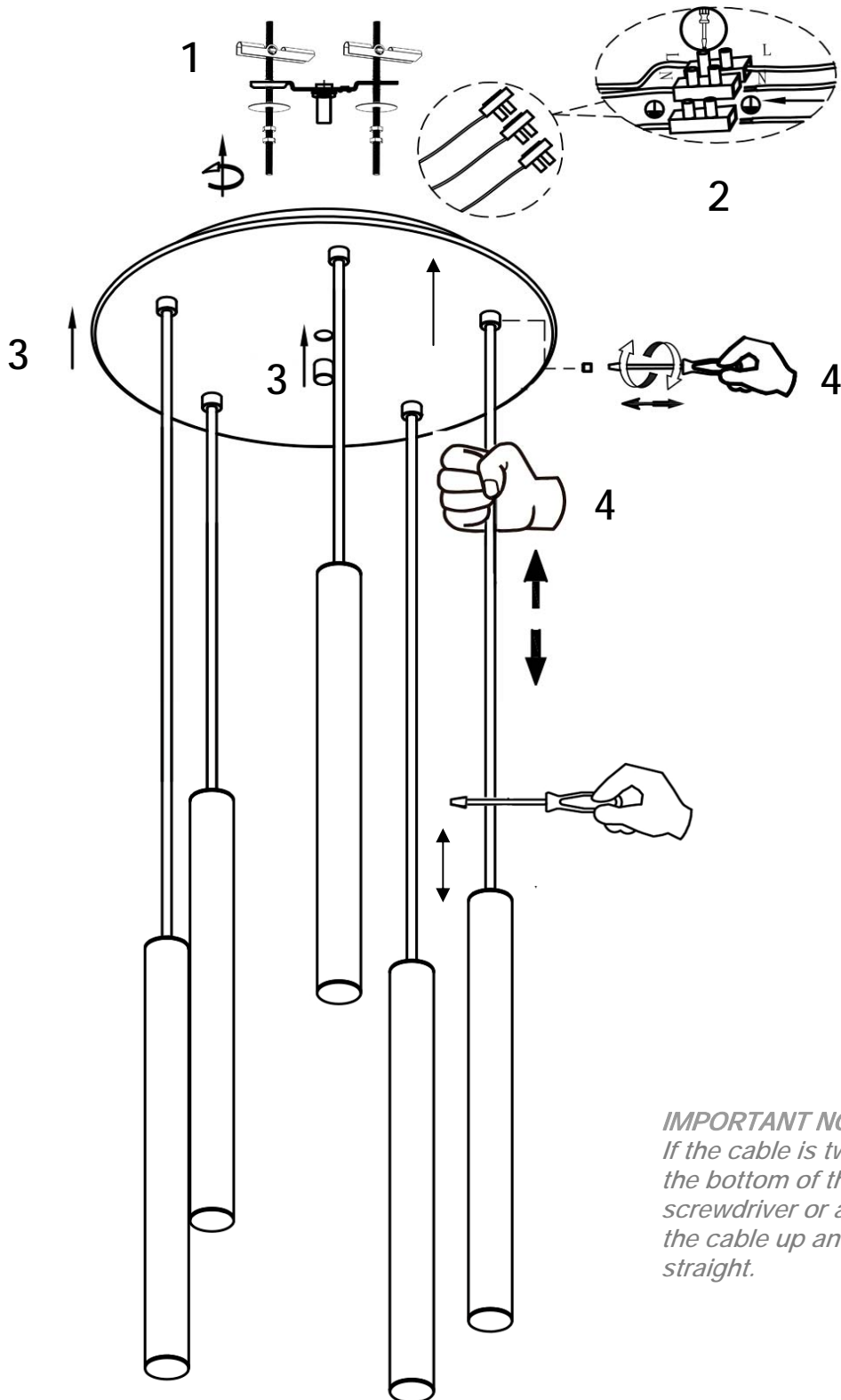


# ASSEMBLING INSTRUCTIONS

ITEM: 373101, 373123, 373142, 373579

**DIMMABLE ITEM**

*ATTENTION: Schuller recommends to use included special screws when installing this lamp.*



**IMPORTANT NOTICE:**

*If the cable is twisted, please hold the bottom of the cable, and use a screwdriver or a metal rod to stroke the cable up and down to keep it straight.*

**WARNING**

This product includes LEDs with 0-10V or PWM dimming. To use it with wall dimmer, use just this type of dimmers. Any other type would damage the LED driver.