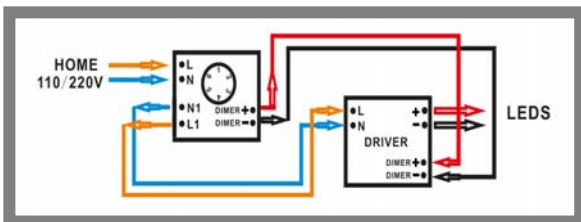
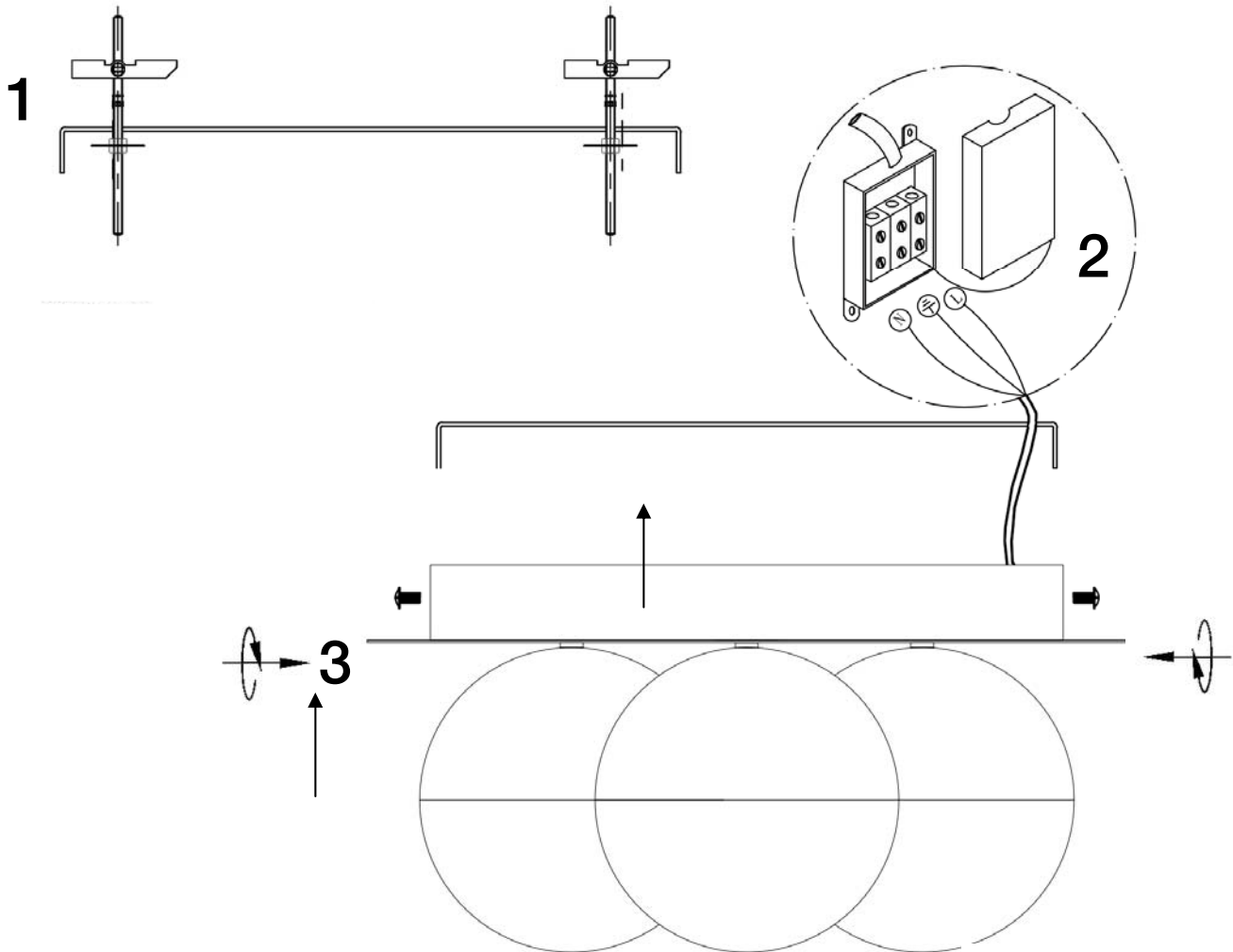


ASSEMBLING INSTRUCTIONS

DIMMABLE ITEM

ATTENTION: Schuller recommends to use included special screws when installing this ceiling lamp.



WARNING

This product includes LED drivers with 0-10V or PWM dimmers, a receiver and a radio frequency remote control. To use with wall control, use only dimmers of these two types. Any other type would damage the LED driver. The receiver installed in the product has channel 1 selected. Use this channel also on the remote control.