

POCHETTE UP/DOWN

Mounting	: Wall
Lamps description	: 1 x MAX 200W R7s HDG
Environment	: Indoor
Finish	: Bronze, Chrome, Matt grey, Shiny white
Technical description	: Wall lamp providing direct/indirect light. Pressure die-cast Zamak alloy structure, matte gray, bronze liquid paint or chrome plated finish. Molded steel, galvanized white wall attachment containing the wall attachment system as well as the electrical devices.

ELECTRICAL

Emergency	: Without
Voltage (V)	: 230

PHYSICAL

Supply	: Terminal block
Construction material	: Steel, Zamak
Weight (kg)	: 1,7
Minimum distance from illuminated object (mm)	: 800



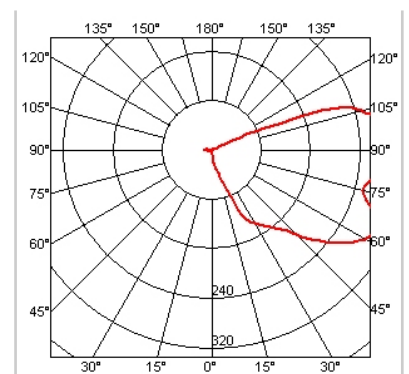
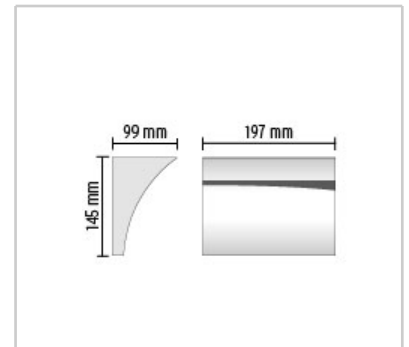
Pochette Up/Down
design by Rodolfo Dordoni

Wall lamp providing direct/indirect light

Reference Code

- **F9701020** **Matt silver**
- **F9701046** **Bronze**
- **F9701057** **Chrome**
- **F9701009** **Shiny white**

Certifications



POCHETTE UP/DOWN FL

Mounting	: Wall
Lamps description	: 1 x 18W G24q-2 FSQ
Environment	: Indoor
Finish	: Bronze, Chrome, Matt grey, Shiny white
Technical description	: Wall lamp providing indirect or direct/indirect light. Pressure die-cast Zamak alloy structure, matte gray, bronze liquid paint or chrome plated finish. Molded steel, galvanized white wall attachment containing the wall attachment system as well as the electrical devices.

ELECTRICAL

Control gear availability	: Included
Control gear type	: Electronic
Emergency	: Without
Voltage (V)	: 220/240

PHYSICAL

Supply	: Terminal block
Construction material	: Steel, Zamak
Weight (kg)	: 1,55



Pochette Up/Down FL
design by Rodolfo Dordoni

Wall lamp providing indirect or direct/indirect light

Reference Code

- **F9703020** **Matt silver**
- **F9703046** **Bronze**
- **F9703057** **Chrome**
- **F9703009** **Shiny white**

Certifications

