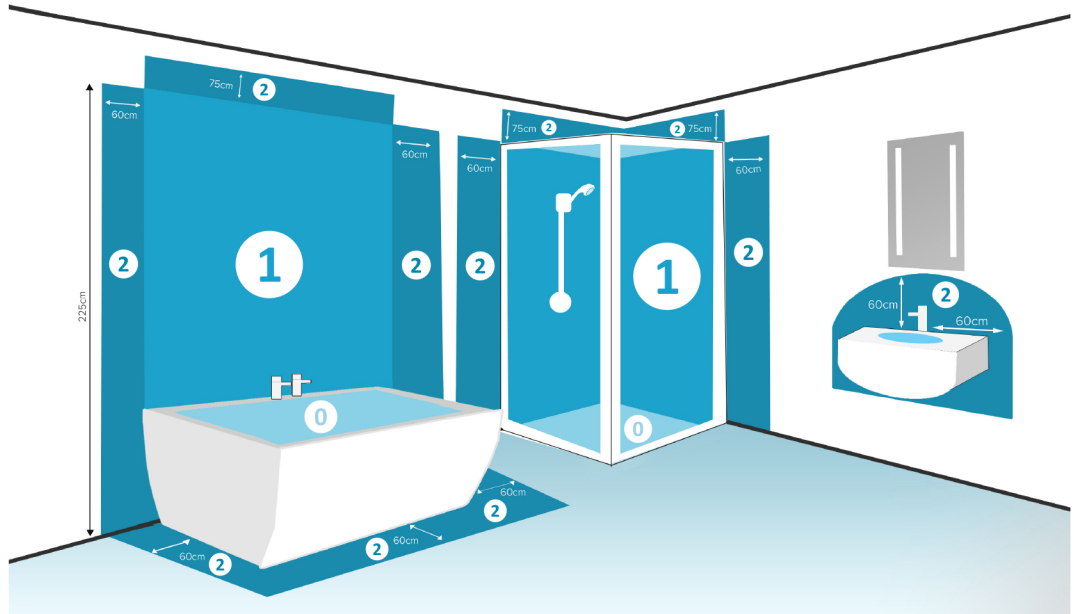


IMPORTANT: Please read these instructions before commencing installation and retain for future reference.

Bathroom Lighting Zones:

- 0** Inside the bath or shower. Must be SELV (12V Max) due to water submersion. Minimum rating of IP67.
- 1** 225cm above the bath or shower. Minimum rating of IP44.
- 2** The area stretching to 60cm outside the bath or shower, and 60cm from the water outlet of the sink. An IP rating of at least IP44 is required.

This mirror is IP44 rated and suitable for installation in zone 2 and the outside zones.



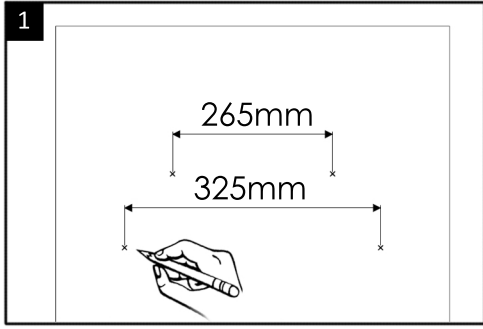
Outside Zones - Anywhere outside zones 0, 1 and 2, where water jets are not used for cleaning purposes, the general rules of BS7671 apply.

Components	Important Safety Information
<p>Mistral - Illuminated LED Mirror 2 x Rawl Plugs 2 x Screws 1 x Instructions Manual</p>	<p>Please read these instructions carefully before attempting to install this product. It is advisable to keep these instructions in a safe place for future reference.</p> <p>We recommend that you consult a qualified electrician. All electrical installation must be carried out in accordance with the current IEE wiring regulations (BS7671) and the latest relevant building regulations.</p> <p>This product must not be modified, if any modifications are made, it may invalidate the warranty and may render the product unsafe.</p> <p>The wattage of this mirror is 30.7W.</p> <p>This product is for indoor use only.</p>
Tools Required	Safety Instructions
<p>Pencil Screwdriver Ø8mm Drill Bit Power Drill</p>	<ol style="list-style-type: none"> 1. If in doubt, installation must be carried out by a qualified electrician. 2. Before commencing installation or maintenance, isolate the main electrical supply for the appropriate circuit at the fuse board. 3. This product is only suitable for connecting to a 240V 50Hz supply. 4. The mirror should be mounted onto a secure surface. 5. When installing, please take care to avoid water pipes, joints and electrical cables. 6. This product has a rating of IP44. 7. Do not exceed or stretch cables.

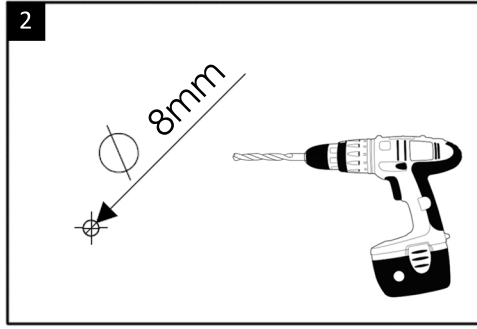
Waste Electrical & Electronic Equipment (WEEE)
 The symbol on the product, or on the document accompanying the product, the crossed out wheelee bin symbol, indicates that this product may not be treated as household waste. Instead it shall be handed over to the applicable collection point for the recycling of electrical and electronic waste.



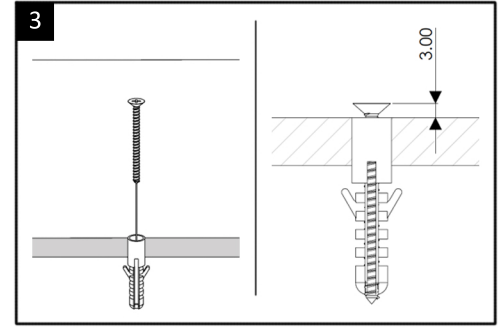
Installation



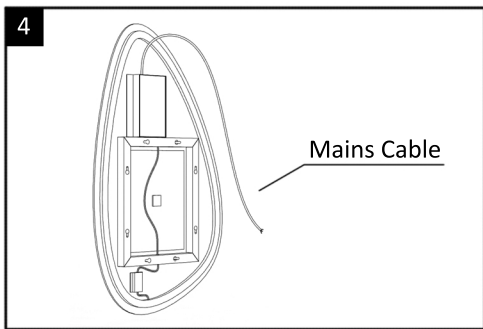
Carefully mark the desired location for the wall mounting screws. 265mm to mount the mirror portrait, or 325mm to mount the mirror landscape.



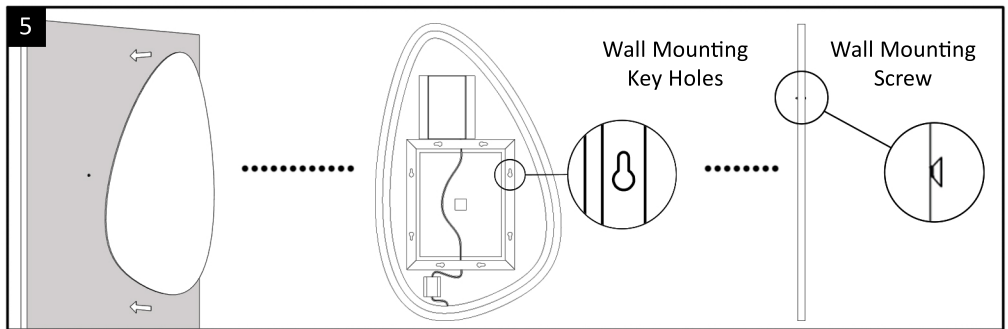
Drill two $\varnothing 8\text{mm}$ holes for the wall mounting screws.



Insert the Rawl plugs and screws into the wall. Be sure to leave a gap of approximately 3mm between the wall and the screw head, so the screw is sticking out slightly.

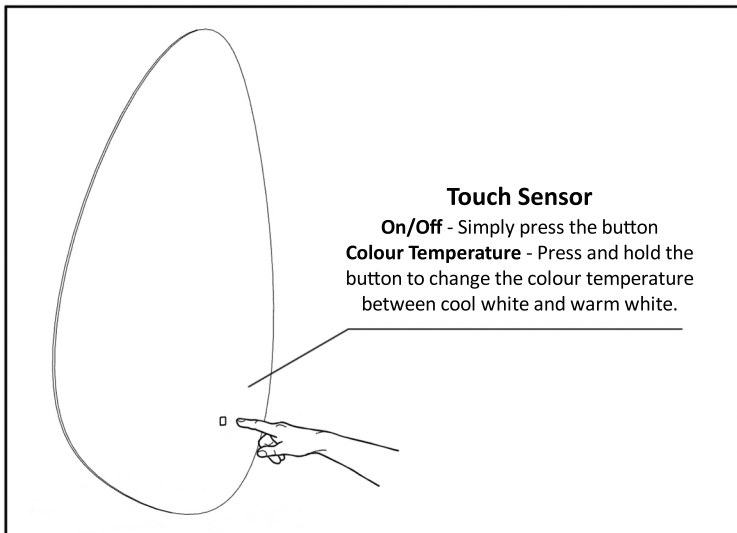


Connect the mains cable to the mains supply.
Note: Please refer to the wiring diagram shown in the Operation section of the manual.



Attach the mirror to the wall by hooking the key holes around the screws.

Operation



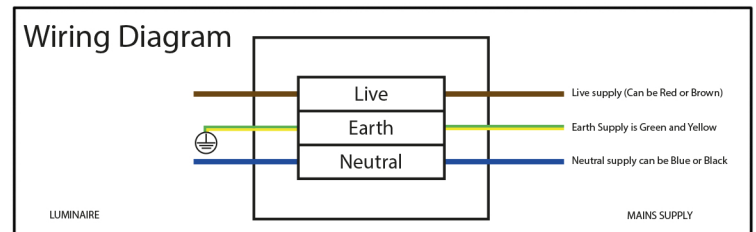
Product Overview

The Mistral LED mirror is at the forefront of modern design, capable of making a design statement in any bathroom.

The mirror features backlit LED's, which provides a stylish glow to compliment the unique tear drop shape, as well as multi-axis mounting brackets that enable the mirror to be hung portrait or landscape.

The touch pad located on the front face of the mirror enables quick and easy control of the lighting, and a built-in demister pad ensures that the mirror stays perfectly clear whilst in-use.

Wiring Diagram



Maintenance & Care

- To keep the finish of this product, wipe over with soft cloth periodically.
- Do not use harsh chemical solvents, this may dis-colour or damage the finish.