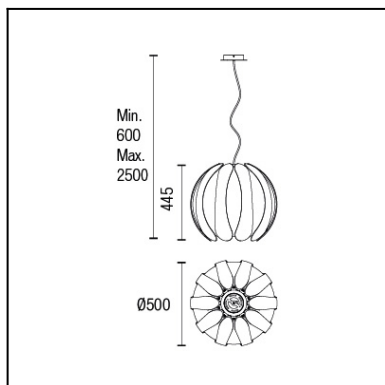




The photograph may not match the reference exactly. Please read the product description to identify the finish.



TECHNICAL CHARACTERISTICS

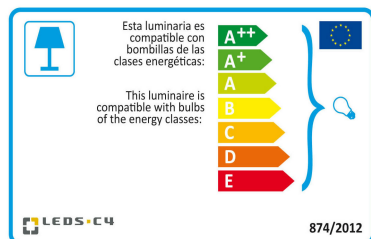
Type:	Pendant
Light source 1:	1 x E27 MAX 100W Maximum lamp length: 200.00 mm Maximum lamp diameter: 78.00 mm
Total power consumption (W):	100
Voltage / Frequency:	220-240V/50-60Hz
Units per box:	1
Net Weight (Kg):	3.755
EAN:	8435381426200



MATERIALS / FINISHES

Structure material:	Steel Polycarbonate	Diffuser material:	ABS
Structure finish:	Painted gold Transparent		

[Download photometric file .ldt / .ies](#)

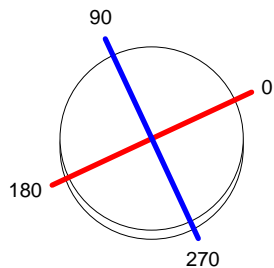


[Click on image to download energy label](#)

Luminaire		Measur.		Lamp	
Code	00-3543-BW-BW	Code	00-3543-BW-BW	Code	STANDAR GOC 100W O
Name	Colgante ANGIE 100W A55 E27	Name	Colgante ANGIE 100W A55 E27	Number	1
Line	- LEDS-C4	Date	12-06-2015	Position	Universal
Efficiency	45.83%	Coordinate system	CG	Total Flux	1340.00 lm
Maximum value	242.79 cd	Position	C=15.00 G=25.00	Double Symmetrical	
Round Luminaire	Diam.	500 mm	Height	440 mm	
Round Luminous Area	Diam.	280 mm	Height	0 mm	
Horizontal Luminous Area	0.061575 m2	Emitting area on Plane 180°	0.000000 m2	Emitting area on Plane 270°	0.000000 m2
Emitting area on Plane 0°	0.000000 m2	Glare area at 76°	0.014896 m2		
Emitting area on Plane 90°	0.000000 m2				
Symmetry Type	Double Symmetrical	Maximum Gamma Angle	180	Measurement Flux	1271.00 lm
Measurement Distance	6.44				
Operator	Asselum T2	Source voltage	230.00 V		
Temperature	25.00 °C	Source current			
Humidity	54.00 %	Photocell	Prc		
Notes					

Luminaire Lamps					
Line	Code	Name	Flux [lm]	Pow. [W]	Q.ty
PHILIPS 2005 ILCOS IA,IB,IC	STANDAR GOC 100W O	STANDAR GOCCIA 100W E27 OPALE	1340.00	100.00	1
C.I.E.	55 79 94 86 46	D DIN 5040		B41	
F UTE	0.39 D + 0.06 T	B NBN		BZ 3 / 0.8 / BZ 4	

Diam=500mm



C Halfplanes
 180.0 — 0.0
 270.0 — 90.0

ULOR 6.46 %
 DLOR 39.37 %
 RN 14.10 %

