

GENERAL INSTRUCTIONS

These instructions should be read carefully and retained after installation by the end user for future reference and maintenance.

**These instructions should be used to aid installation of the following product:
SPEK2W4CCT**

SAFETY

- This product must be installed in accordance with the latest edition of the IEE Wiring Regulations (BS7671) and current Building Regulations. If in any doubt, consult a qualified electrician
- Please isolate mains prior to installation or maintenance
- Check the total load on the circuit (including when this luminaire is fitted) does not exceed the rating of the circuit cable, fuse, or circuit breaker
- Please note the IP (Ingress Protection) rating of this luminaire when deciding the location for installation
- If used under insulation, the insulation should be laid unbroken over the luminaire (not packed around it). Only mineral wool style insulation may be used
- This product is for indoor use only
- This product is Class II double insulated
- This product is IP65 from below (IP20 from above)

INSTALLATION

Note - If this luminaire is being used in conjunction with an external PIR or sensor, please confirm with the manufacturer of the sensors that they are compatible with LED luminaires

- Provide power to the required point of installation
- Cut a suitable hole in the mounting surface as per the cut-out details (see Fig. 1) ensuring not to infringe with any joists, gas/water pipes or electrical cables

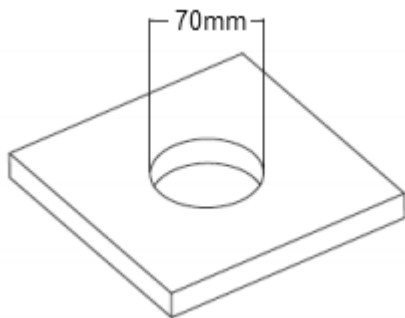


Fig. 1

- Open the terminal cover with the aid of slotted screwdriver (see Fig. 2)

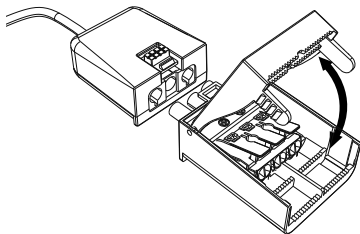


Fig. 2

- Connect the luminaire to the mains supply ensuring the correct polarity is observed (see Fig. 3): L - Live (Brown), E - Earth (Green/Yellow), N - Neutral (Blue). The earth terminal is non-functional and only provided for convenience

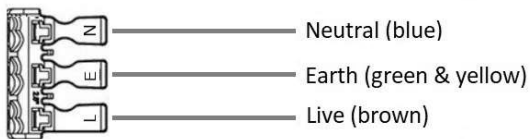


Fig. 3

- Refit the terminal cover
- Select the desired wattage and colour temperature via the switches on the back of the downlight (see Fig. 4)

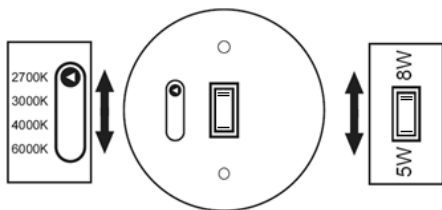


Fig. 4

- Lift both of the spring clips on the sides of the fitting and push into the ceiling (see Fig. 5)

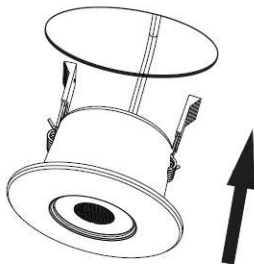


Fig. 5

- Switch on and check for correct operation

WARNING

This luminaire must be disconnected from the circuit if subjected to any high voltage or insulation resistance testing. Irreparable damage will occur if this instruction is not followed.

GENERAL

The light source of this luminaire is not replaceable; when the light source reaches its end of life the whole luminaire shall be replaced.

This product should be recycled in the correct manner when it reaches the end of its life.

Check local authorities for where facilities exist.

Clean with a soft dry cloth only, do not use aggressive cleaning products or solvents which may damage the product.

This product is dimmable with leading or trailing edge dimmers, please check compatibility before installation.

WARRANTY

This product has a warranty of 5 years from date of purchase. Failure to install this product in accordance with the current edition of the IEE Wiring Regulations (BS7671), improper use, or removal of the batch code will invalidate the warranty. If this product should fail within its warranty period, it should be returned to the place of purchase for a free of charge replacement. ML Accessories does not accept responsibility for any installation costs associated with the replacement product. Your statutory rights are not affected. ML Accessories reserve the right to alter product specification without prior notice.