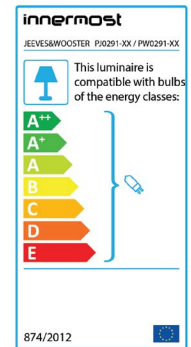
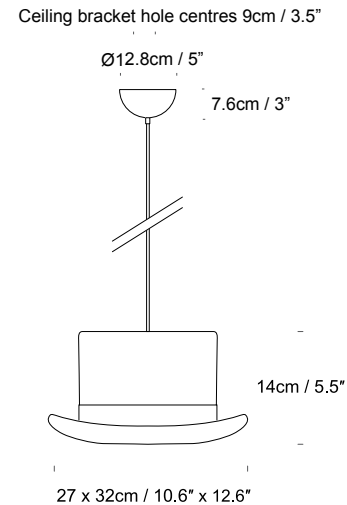
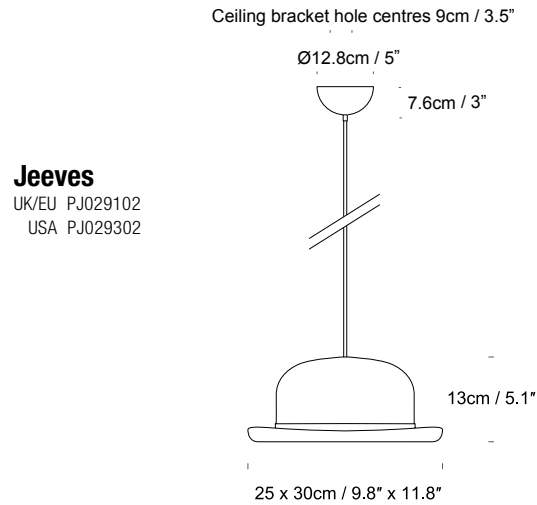


# Jeeves & Wooster by Jake Phipps

**Product Category** Pendant  
**Material** Aluminium & Wool felt

\*Jeeves comes with a Gold Anodized Interior and Wooster comes with a Silver Anodized Interior



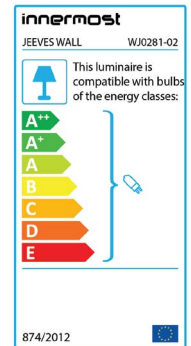
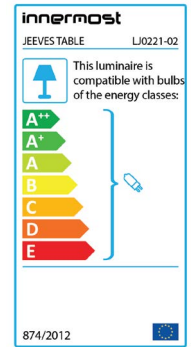
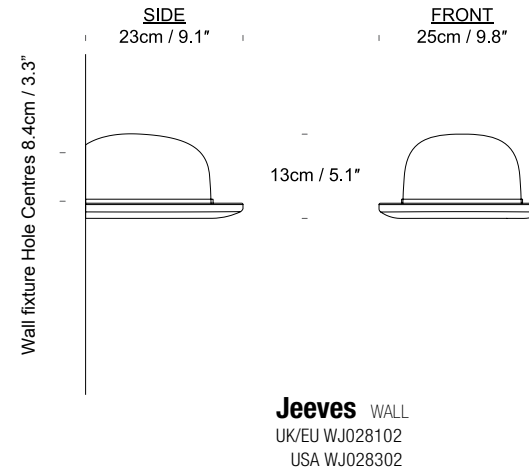
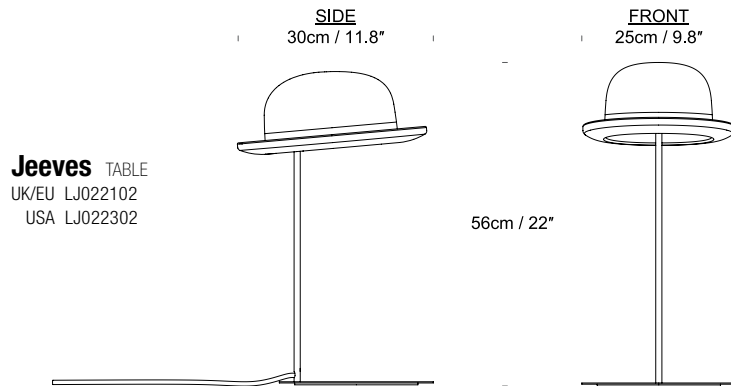
SPECIFICATION	Lightsource	Cable	Ceiling Rose
<b>Jeeves</b> UK/EU PJ029102 USA PJ029302	G9, UK/EU, Max 25W      USA, Max 5W Recommended bulb: Any G9 LED Bulb up to 500 Lumen output, dimmable Temperature 2200 - 2700 Kelvin	2.4m / 94.5" Black Braided Cable	Black
<b>Wooster</b> UK/EU PW029102 USA PW029302	G9, UK/EU, Max 25W      USA, Max 5W Recommended bulb: Any G9 LED Bulb up to 500 Lumen output, dimmable Temperature 2200 - 2700 Kelvin	2.4m / 94.5" Black Braided Cable	Black

# Jeeves & Wooster by Jake Phipps

innermost®

**Product Category** Table Lamp/ Wall Light  
**Material** Aluminium & Wool felt

\*Jeeves comes with a Gold Anodized Interior



SPECIFICATION	Lightsource	Cable	Switch
<b>Jeeves</b> TABLE UK/EU LJ022102 USA LJ022302	G9 UK/EU, Max 25W      USA, Max 5W Recommended bulb: Any G9 LED Bulb up to 500 Lumen output, dimmable. Temperature 2200 - 2700 Kelvin.	50cm/ 19.7" to switch, 1.5m/ 59" to plug, Black Braided Cable	Inline rocker
<b>Jeeves</b> WALL UK/EU WJ028102 USA WJ028302	G9, UK/EU, Max 25W      USA, Max 5W Recommended bulb: Any G9 LED Bulb up to 500 Lumen output, dimmable. Temperature 2200 - 2700 Kelvin.	N/A	N/A

