

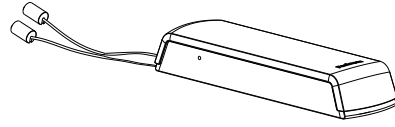
Art.-Nr.: 941.61



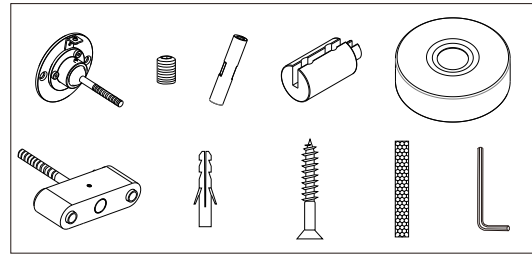
(+MA326) PSU 11/17



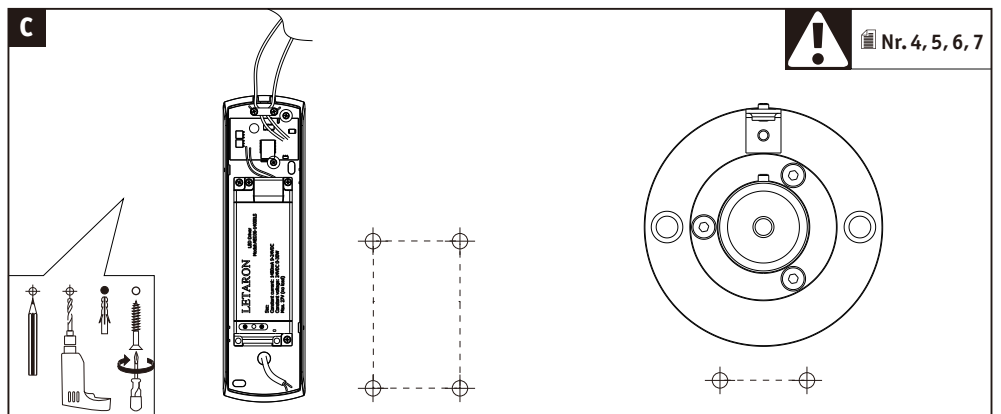
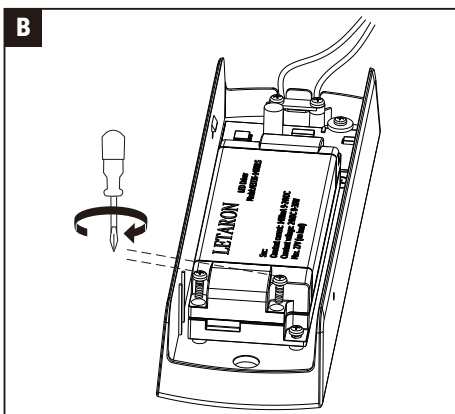
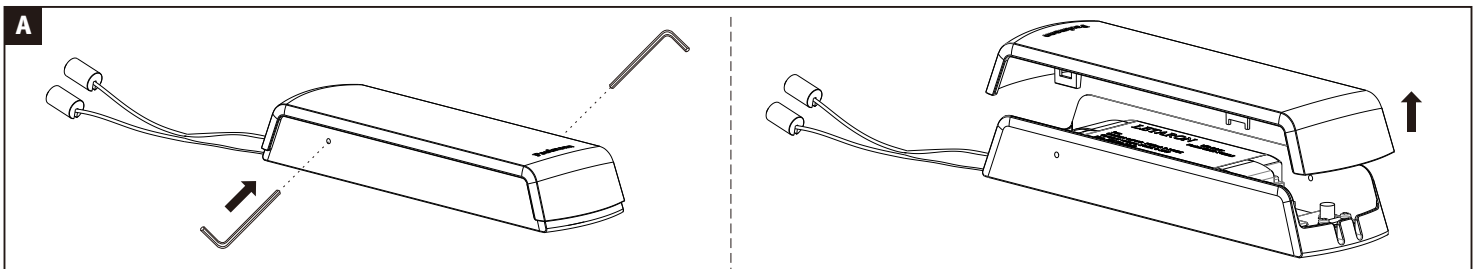
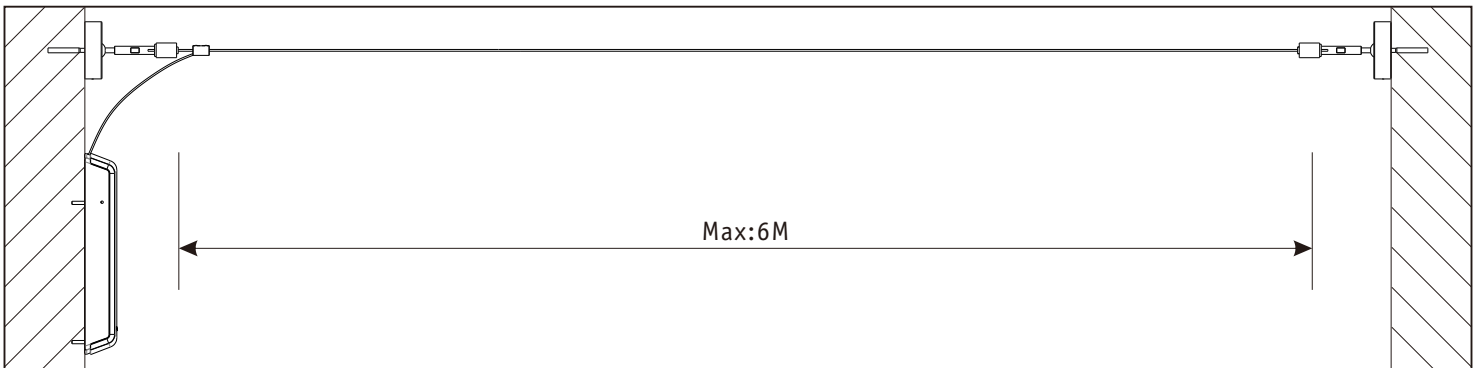
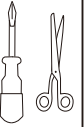
1X12m



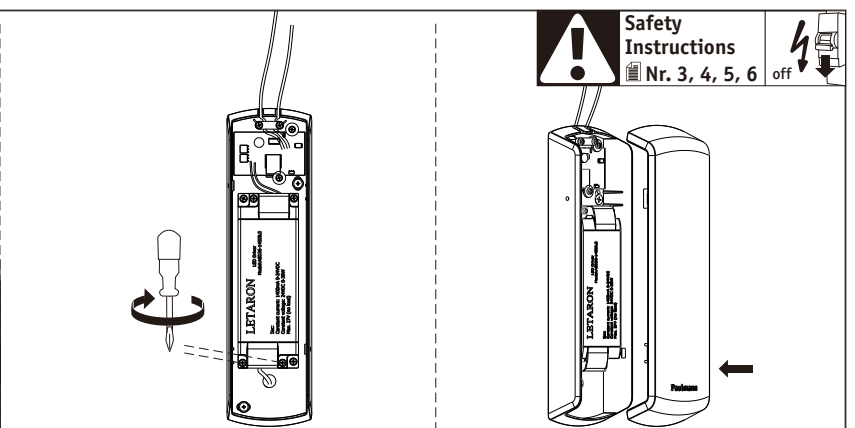
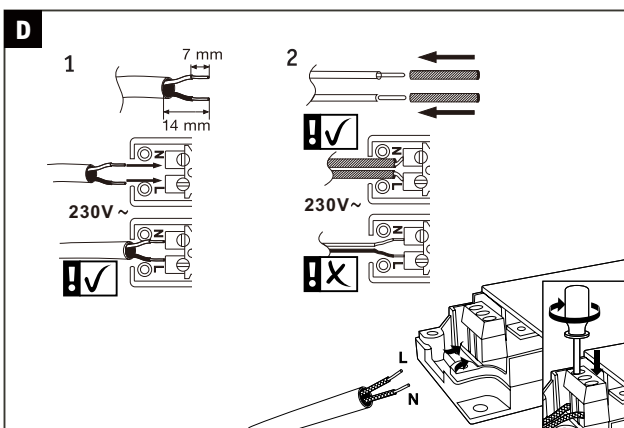
1X



Incl.



Nr. 4, 5, 6, 7



Safety Instructions Nr. 3, 4, 5, 6 off

