

### MONI 1

Mounting	: Ceiling
Lamps description	: 1 x MAX 105W E27 HSGS
Environment	: Indoor
Finish	: White
Technical description	: Ceiling fixture providing reflected and diffused lighting. Gloss white powder-coated pressed aluminum reflector. Equipped with special pressed steel support providing a radial starburst pattern. Front shade consists of sand-blasted molded glass and a molded clear glass lens. Matte black painted die-cast aluminum ceiling fitting and gloss white powder-coated pressed aluminum rose.

### ELECTRICAL

Emergency	: Without
Voltage (V)	: 230

### PHYSICAL

Supply	: Terminal block
Construction material	: Aluminum, Glass, Steel
Weight (kg)	: 1,5



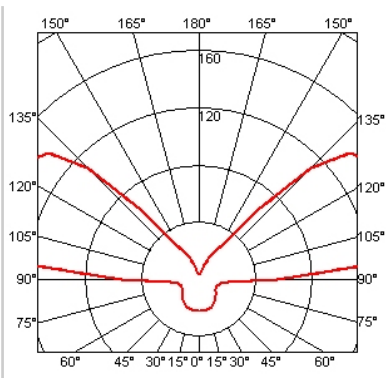
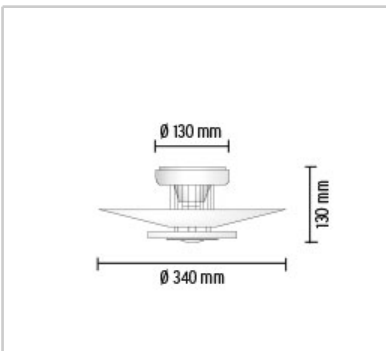
**Moni 1**  
design by Achille Castiglioni

Ceiling fixture providing reflected and diffused lighting.

### Reference Code

○ **F3801009**      **White**

### Certifications



## MONI 2

Mounting	: Ceiling
Lamps description	: 1 x MAX 105W E27 HSGS
Environment	: Indoor
Finish	: White
Technical description	: Ceiling fixture providing reflected and diffused lighting. Gloss white powder-coated pressed aluminum reflector. Equipped with special pressed steel support providing a radial starburst pattern. Front shade consists of sand-blasted molded glass and a molded clear glass lens. Matte black painted die-cast aluminum ceiling fitting and gloss white powder-coated pressed aluminum rose.

## ELECTRICAL

Emergency	: Without
Voltage (V)	: 230

## PHYSICAL

Supply	: Terminal block
Construction material	: Aluminum, Glass, Steel
Weight (kg)	: 2,2



**Moni 2**  
design by Achille Castiglioni

Ceiling fixture providing reflected and diffused lighting.

## Reference Code

○ **F3901009**      **White**

## Certifications

