

KTRIBE S3

| | |
|-------------------------|--|
| Mounting | : Suspension |
| Type of ceiling pendant | : Suspension cable |
| Lamps description | : 1 x MAX 230W E27 HSGS |
| Environment | : Indoor |
| Finish | : Aluminized bronze, Aluminized silver, Fumée, Transparent |
| Technical description | : Suspension lamp providing diffused light. PC (polycarbonate) inner diffuser, with opal white finish. Outer diffusers in transparent or fumée PMMA (polymethylmethacrylate), and silver or bronze on the inner surface, by vacuum aluminum coating. Three stainless steel cables, length 4000 mm for suspension of the diffuser assembly. White ceiling rose. |

ELECTRICAL

| | |
|-------------|-----------|
| Emergency | : Without |
| Voltage (V) | : 230 |

PHYSICAL

| | |
|-----------------------|-----------------------|
| Supply | : Terminal block |
| Cord length(mm) | : 4000 |
| Construction material | : PMMA, Polycarbonate |
| Weight (kg) | : 4,5 |



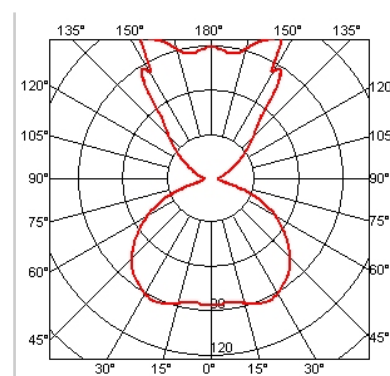
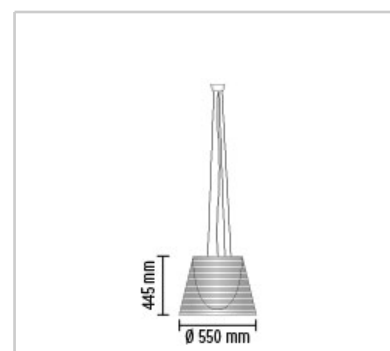
Ktribe S3
design by Philippe Starck

Suspension lamp providing diffused light

Reference Code

- **F6258000** Silver aluminized
- **F6258046** Bronze aluminized
- **F6258000A** Transparent
- **F6258030** Fumée

Certifications



KTRIBE S3 ECO

| | |
|-------------------------|--|
| Mounting | : Suspension |
| Type of ceiling pendant | : Suspension cable |
| Lamps description | : 1 x 42W GX24q-4 TC-TEL |
| Environment | : Indoor |
| Finish | : Aluminized bronze, Aluminized silver, Fumée, Transparent |
| Technical description | : Suspension lamp providing diffused light. PC (polycarbonate) inner diffuser, with opal white finish. Outer diffusers in transparent or fumée PMMA (polymethylmethacrylate), and silver or bronze on the inner surface, by vacuum aluminum coating. Three stainless steel cables, length 3500 mm for suspension of the diffuser assembly. White ceiling rose. |

ELECTRICAL

| | |
|---------------------------|--------------|
| Control gear availability | : Included |
| Control gear mounting | : Integral |
| Control gear type | : Electronic |
| Emergency | : Without |
| Voltage (V) | : 230 |

PHYSICAL

| | |
|-----------------------|-----------------------|
| Supply | : Terminal block |
| Cord length(mm) | : 3500 |
| Construction material | : PMMA, Polycarbonate |
| Weight (kg) | : 4,5 |



Ktribe S3 ECO
design by Philippe Starck

Suspension lamp providing diffused light

Reference Code

| | |
|-------------|-------------------|
| ● F6259000 | Silver aluminized |
| ● F6259046 | Bronze aluminized |
| ● F6259000A | Transparent |
| ● F6259030 | Fumée |

Certifications

