

FLOS

BUTTON

Mounting	Ceiling and wall
Lamps description	1 x 22W 2GX13 T5 FSC + 1 x 40W 2GX13 T5 FSC
Environment	Indoor, Outdoor
Finish	White / White
Technical description	Indoor and outdoor wall/ceiling lamp providing diffused light. Slightly opaline (PC opal), injection-molded polycarbonate diffuser. Closure screw/diffuser support in die-cast and handpolished aluminum alloy protected with liquid transparent paint. The wall attachment is slightly, injection-molded polycarbonate. The light bulb support is 30% glass fiberreinforced nylon, injection molded and matte white. Silicone elastomer dust and waterproof seals.



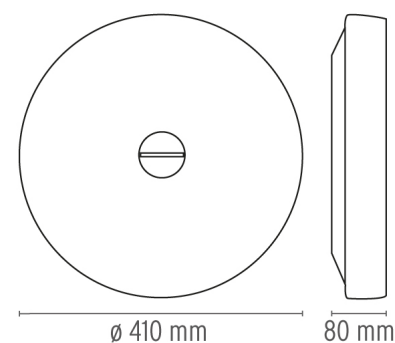
BUTTON

designed by Piero Lissoni

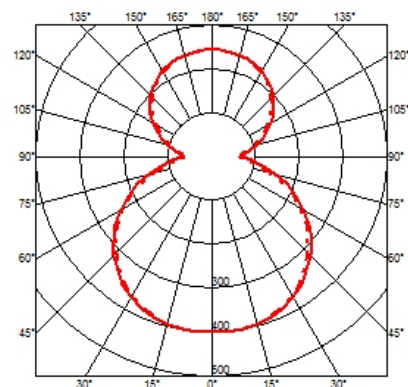
Indoor and outdoor wall/ceiling lighting lamp providing diffused light

● F3 I 80009 White/White

DIMENSIONS

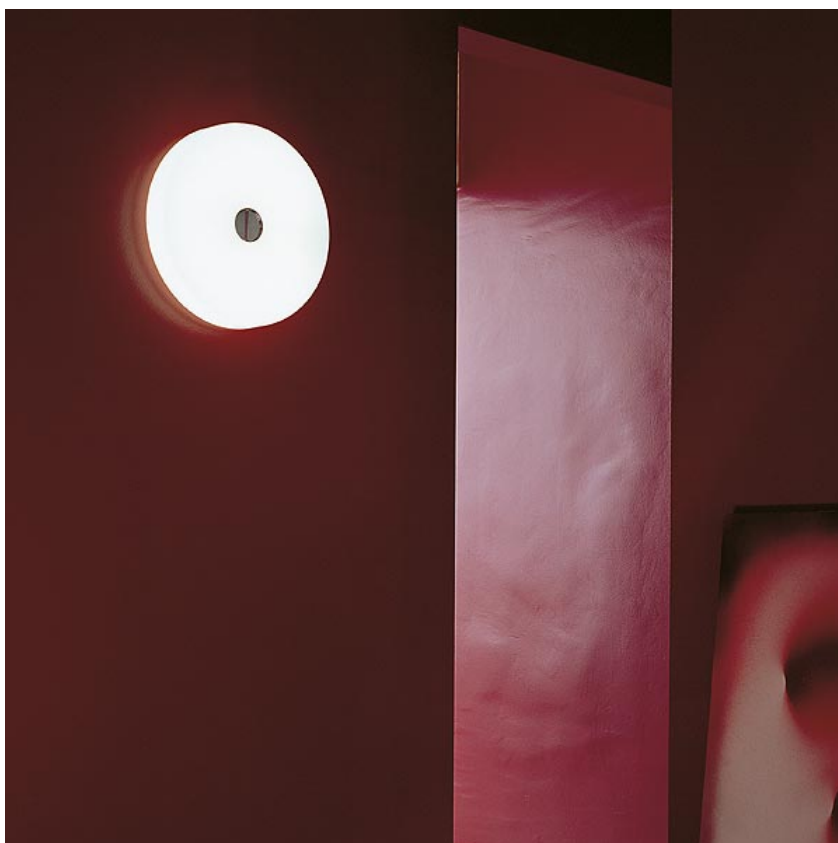


CERTIFICATIONS



PHYSICAL

Supply	Terminal block
Construction material	Polycarbonate
Weight (kg)	2.1



BUTTON . Lamps



T5 FSC 22W 2GX13

Lamp wattage:
22 W

Lamp category:
Fluorescent tube

Socket:
2GX13

Lamp type:
T5 FSC



T5 FSC 40W 2GX13

Lamp wattage:
40 W

Lamp category:
Fluorescent tube

Socket:
2GX13

Lamp type:
T5 FSC



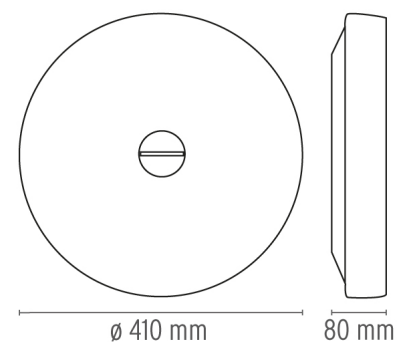
BUTTON

designed by Piero Lissoni

Indoor and outdoor wall/ceiling lighting lamp providing diffused light

● F3180009 White/White

DIMENSIONS



CERTIFICATIONS

