



---

## GEA Effect Wall recessed

---

### Description

Wall recessed for outdoor use.

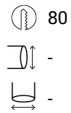
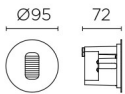
For frontal lighting and downlighting. Includes flush-mounting box. Specially designed to conceal all mounting screws. Suitable for installation in marine environments. Structure material: Stainless steel AISI316. Structure finish: Polished. Diffuser material: Glass. Diffuser finish: Transparent. UV protection. Warranty: 2 Years. Total years including extended warranty: 5.

---

**Finish**  
Polished  
Transparent

**Material**  
Stainless steel AISI316  
Glass

---



### TECHNICAL CHARACTERISTICS

#### Light source

Light source: LED CREE  
Output (W): 2,2W  
Total power consumption (W): 3.7W  
Color temperature: Warm White - 3000K  
CRI: 80  
Real Lumen: 62  
Nominal Lumen: 162  
Qty Leds: 1  
Lm/Real W: 17  
Life Time: 50.000h L70B30  
Bin / Grup: 7C1 o 7B4  
MacAdam steps: 3 STEPS  
UGR: 12.3  
Photobiological risk: RG2

#### GEAR

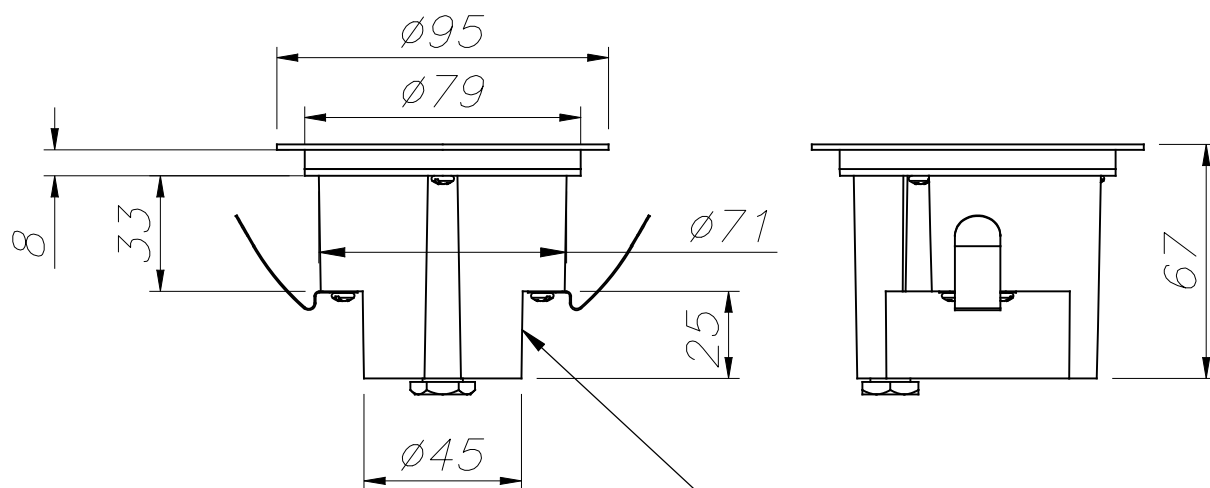
Brand: HILITE  
Gear included: Yes, electronic  
Voltage / Frequency:  
100-240VAC/50-60Hz  
Power Factor: 0.56

#### Luminaire

Double cable exit: No  
Drainage: No  
Seaside: Yes  
Cable meters included: -  
Uv Protection: Yes  
Warranty: 2 Years

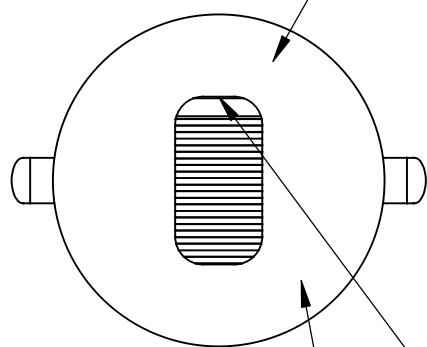
#### Logistics

Energy Efficiency: LED A++  
EAN Code: 8435381438340  
Net Weight (Kg): 0.335  
Weight in Kg (packaged): 0.403  
Packing: 105 x 105 x 100  
Masterbox: 24



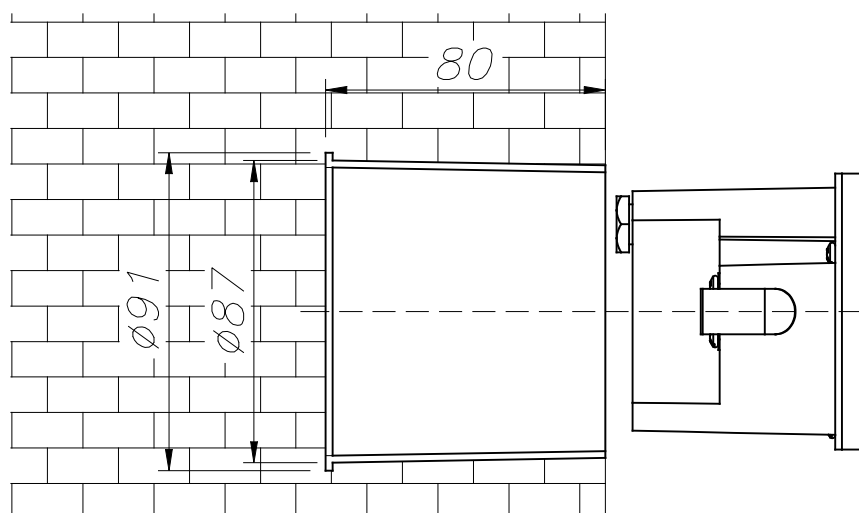
ACERO INOXIDABLE AISI 304  
 STAINLESS STEEL AISI 304  
 (05-9757-Y4-CL)

ALUMINIO INYECTADO  
 INJECTED ALUMINIUM



CRISTAL TRANSPARENTE  
 TRANSPARENT GLASS

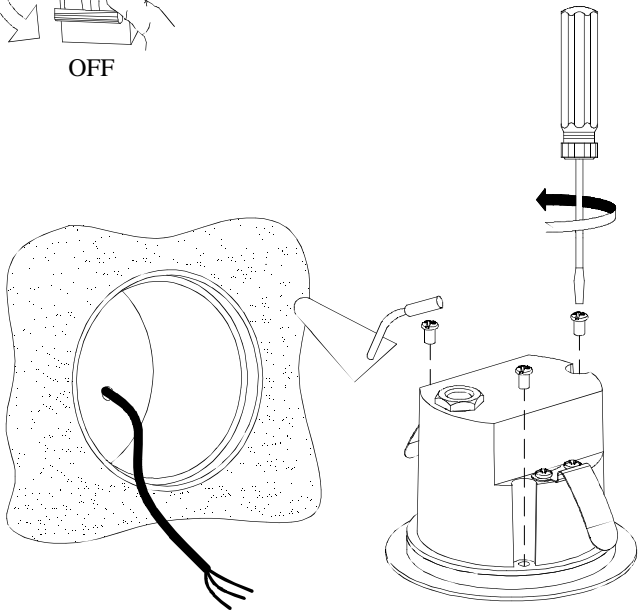
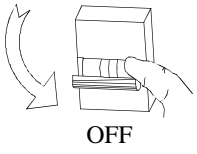
ACERO INOXIDABLE AISI 316  
 STAINLESS STEEL AISI 316  
 (05-9757-CA-CL)



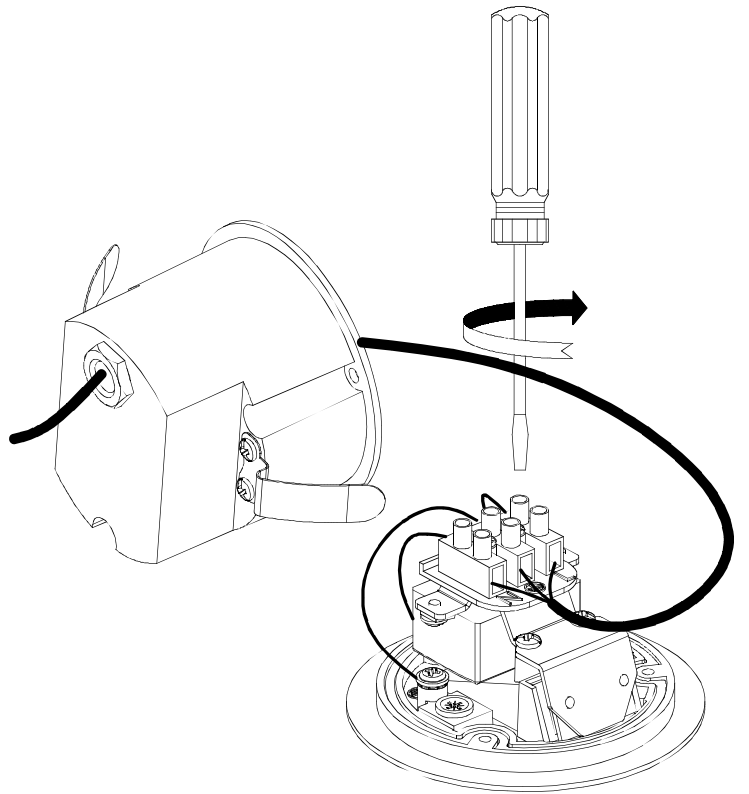
CAJA DE EMPOTRAR  
 FLUSH FITTING BOX

# OUTDOOR

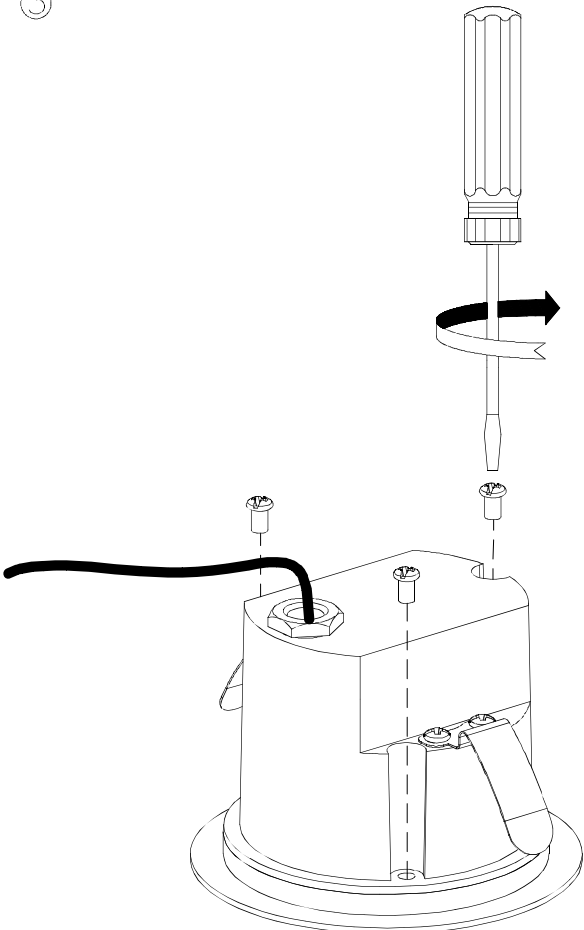
①



②



③



④

