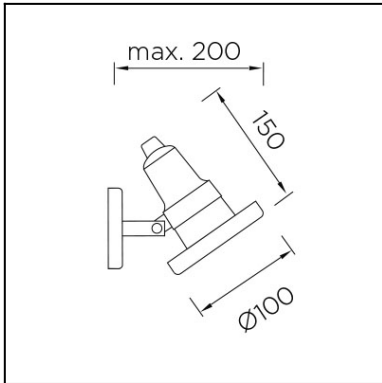
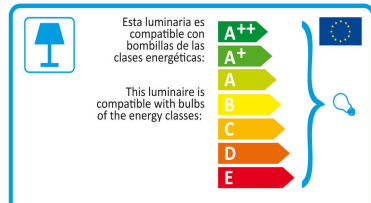




The photograph may not match the reference exactly. Please read the product description to identify the finish.



Download photometric file .ldt /.ies



TECHNICAL CHARACTERISTICS

Type:	Spotlight
Adjustable:	Adjustable 360° on the vertical axis. Adjustable ±45° on the horizontal axis.
IP Protection degrees:	IP67
Light source 1: Bulb specified at the product label	1 x GU10 Max. 50W
IK Protection degrees:	IK10
Total power consumption (W):	50
Voltage / Frequency:	230V/50-60Hz
Warranty:	2
Units per box:	8
Net Weight (Kg):	0.475
EAN Code:	8435381408848



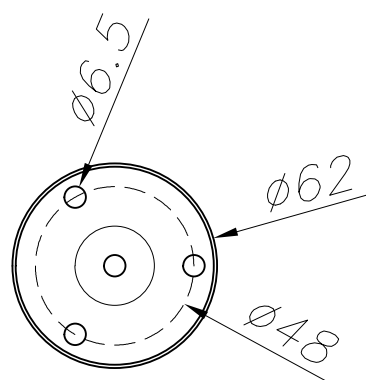
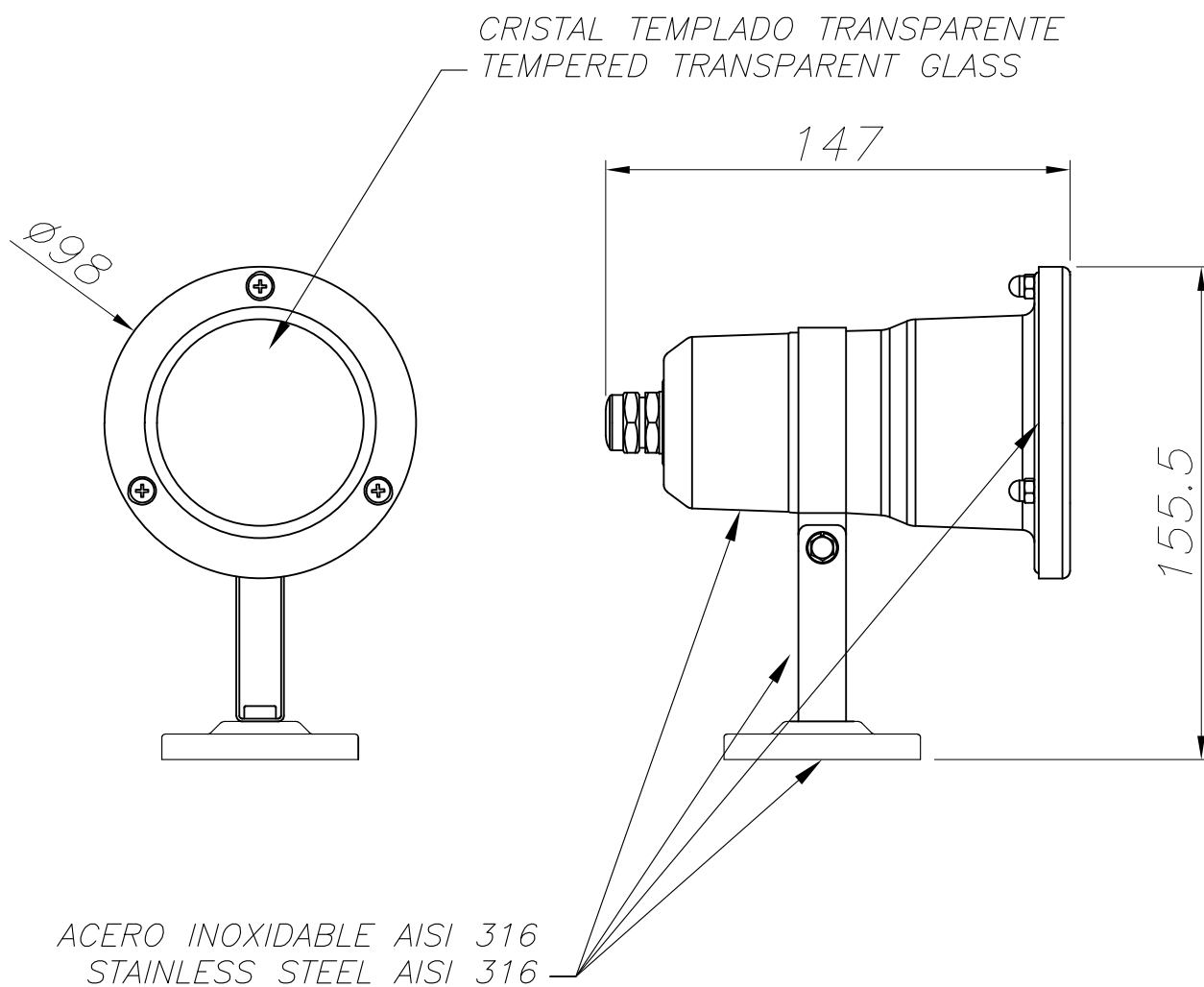
MATERIALS / FINISHES

Structure material: Stainless steel AISI316

Diffuser material: Glass

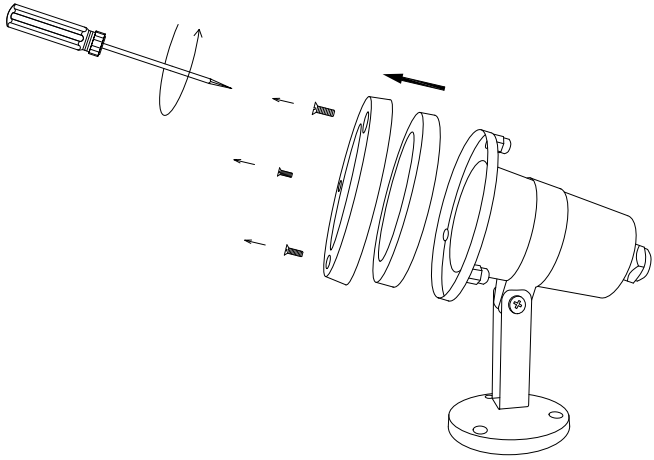
Structure finish: Polished

Diffuser finish: Tempered

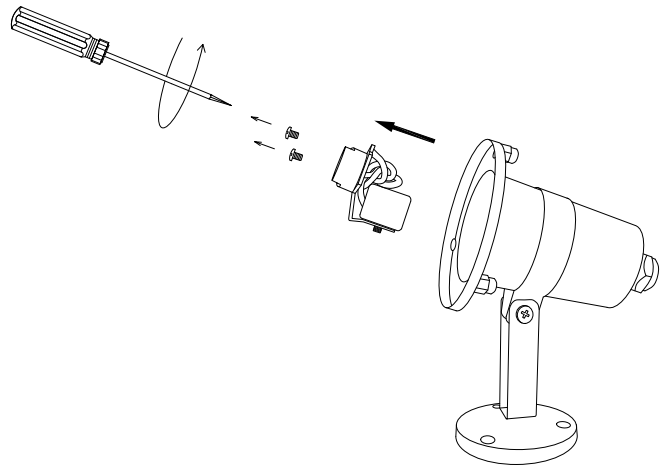


PLANTILLA DE INSTALACIÓN
INSTALLATION TEMPLATE

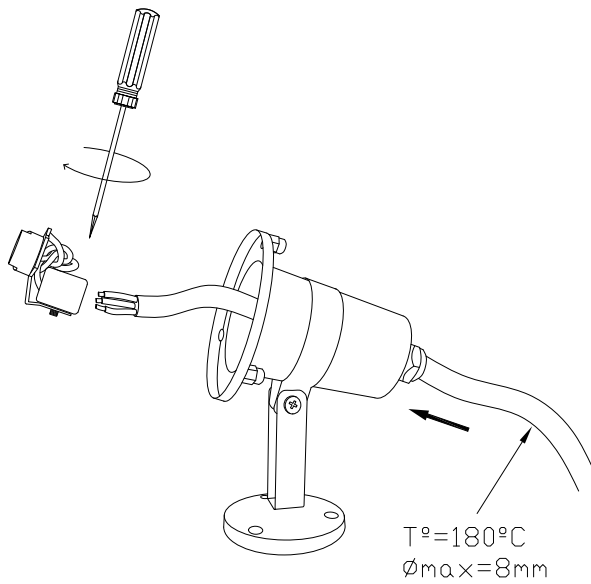
①



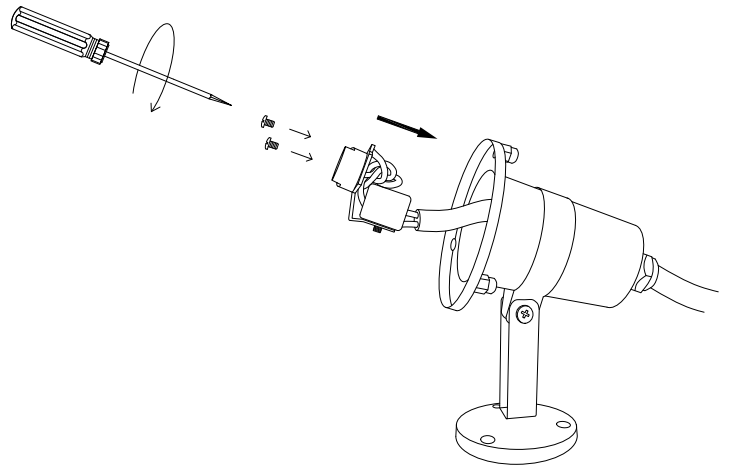
②



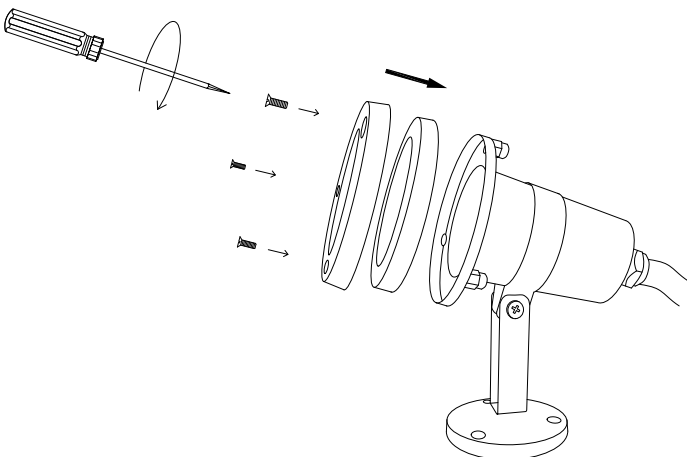
③



④



⑤



⑥

