

Beads

Design by Winnie Lui

Installation Instructions

MAX. - 20W  / 100W 

Innermost recommend using Beads with a
Clear Halogen Energy Saver Classic A - 70W ES E27

Installation Advice

During installation it is essential to follow these steps in order not to damage the lamp, this will assure successful installation and many years of service from the fitting.

We strongly advise to follow Installation Instructions below.

Installation Instructions for Beads:

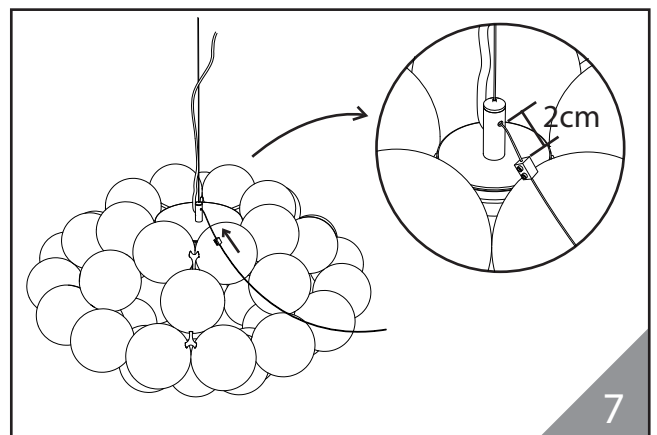
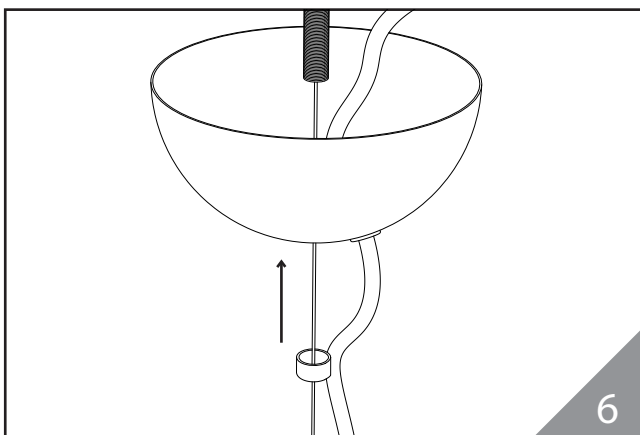
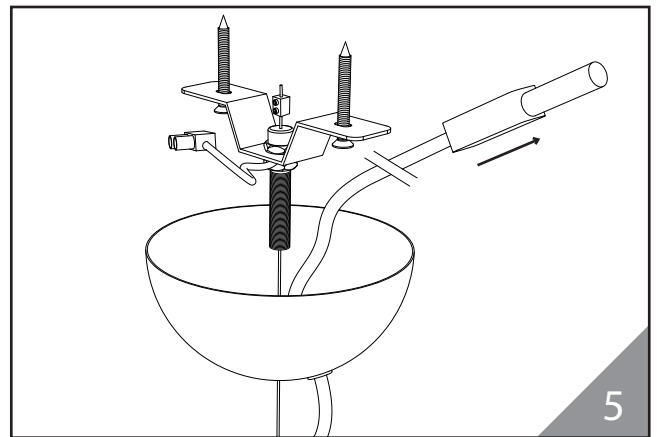
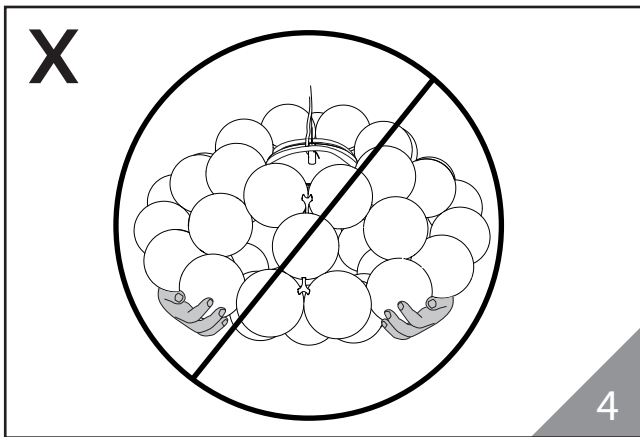
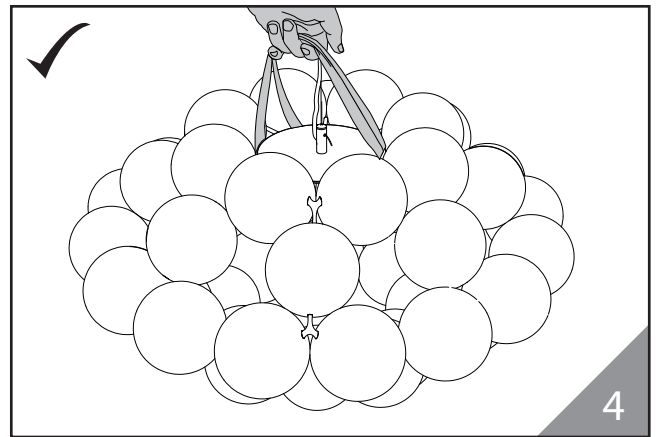
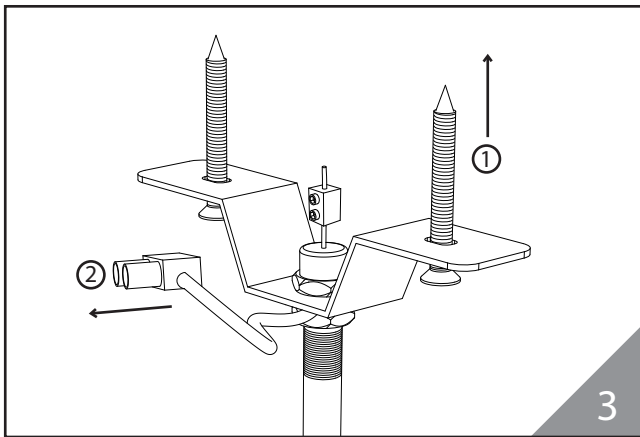
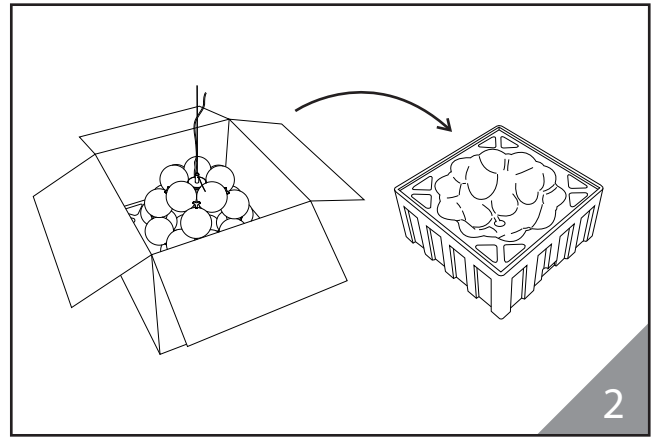
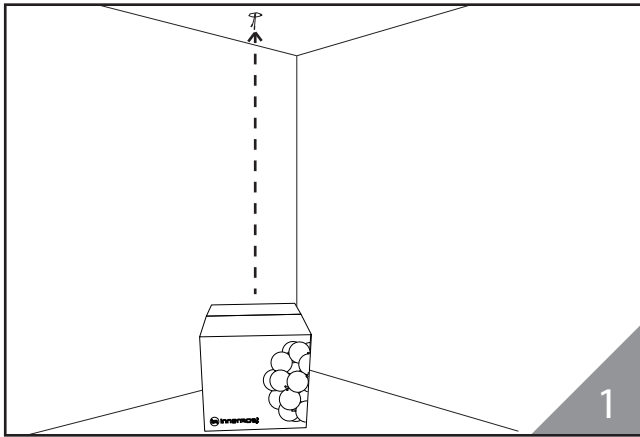
1. Move the box to the installation location, directly below the intended hanging point.
2. Open the box and remove the top layer of packaging
3. Ideally with the Beads still in its packaging, fix the Ceiling Fitting in the desired position and attach the earth cable.
4. Lift the Beads Lamp to the preferred height, ensuring only the Installation Handle around the fitting is used to lift product.
5. Adjust Electrical Cable length and connect to Ceiling Electrics.
6. Locate Ceiling Rose and secure in place using Threaded Cap.
7. Move Cable Clamp along tensile wire and secure in place, 2cm from the cable exit and remove Installation Handle.

- Do not remove packaging until product is fully supported by the fitting.
- Do not handle beads from any point other than the fitting.
- Keep Beads horizontal at all times.
- We recommend to keep all original packaging in the event of product relocation.

Beads

Design by Winnie Lui

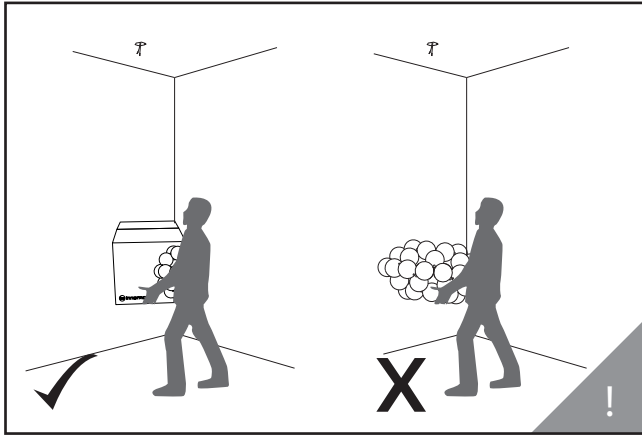
Installation Instructions



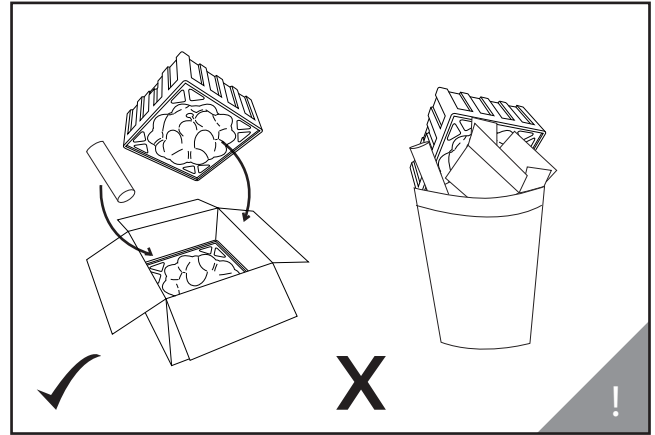
Beads

Design by Winnie Lui

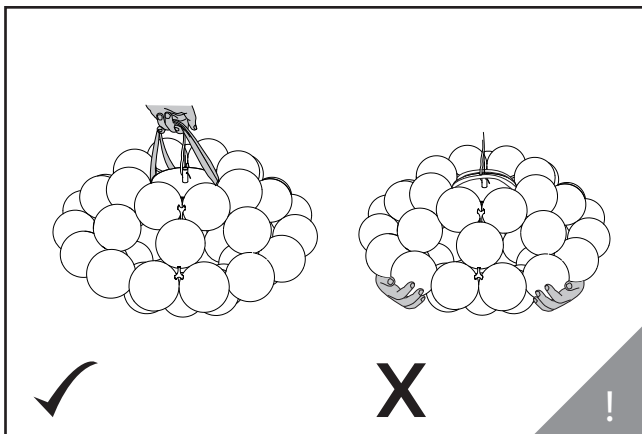
Installation/Maintenance Warnings



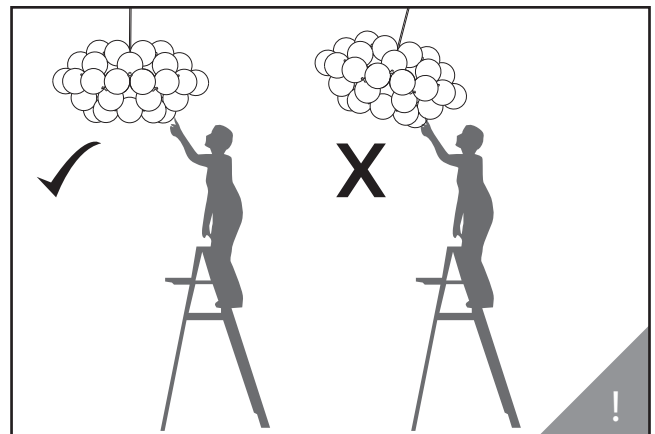
- Do not remove packaging until product is fully supported by the fitting.



- We recommend to keep all original packaging in the event of product relocation.



- Do not handle beads from any point other than the fitting.



- Keep Beads horizontal at all times.