

Stratus Surface Mount Kit

81850



Thank you for purchasing this accessory. Please read the instructions carefully before use to ensure safe and satisfactory operation of this product. Please retain these instructions for future reference.





Installation

This surface mount kit is designed only for use with Stratus Panel fittings - 81023, 81024, 81025, 81026. Please refer to the installation instructions supplied with the fitting for wiring and connection details.

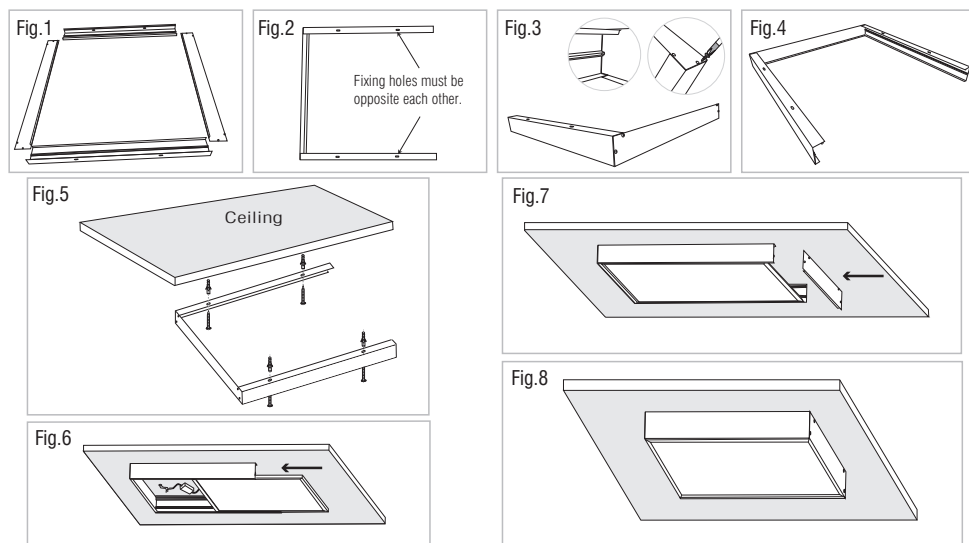
Note that the switch is turned off before installation.

The ceiling surface must be flat and smooth to ensure a good fit.

• Check you have all necessary parts:

- 4 x plastic plugs  - 8 x screws (short) 
- 4 x screws (long)  - 4 x mounting frame pieces 

- Preview the position of each frame to make them fitted with each other. (See Fig. 1)
 - The mounting frames must be connected into a 3 sided frame (Ensure the 2 opposite sides of the 3 sided frame have fixing holes). See Fig. 2.
1. Referring to Fig. 3, match the 2 mounting frames tightly by supplied short screws, make sure no gap and forms a corner (See Fig.3). Then connect another frame to create a 3 sided frame (See Fig.4).
 2. Using the part-assembled frame as a template, mark and drill the fixing holes. Take care not to damage any concealed wiring or pipes.
 3. Referring to Fig. 5, fix the part-assembled frame to ceiling using the supplied plastic plugs and long screws.
 4. Referring to Fig.6, connect the driver as per the instruction manual supplied with the Stratus Panels and carefully slide the panel into the 3 sided frame.
 5. Fix the fourth frame piece (without fixing holes) in place. Secure it to 2 mounting frames use supplied short screws (See Fig. 7).
 6. Replace fuse or circuit breaker and switch on. Your light is now ready for use (See Fig. 8).



Recycling advice



Waste electrical products should not be disposed of with household waste. Please recycle where facilities exist. Check with your Local Authority or local store for recycling advice.

Safety information

For your safety, always switch off the power supply before cleaning.

V1 21/05/2019

Saxby Lighting, BH17 7BY