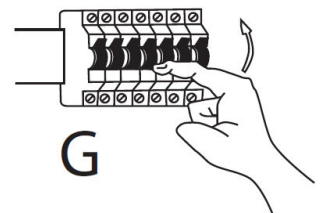
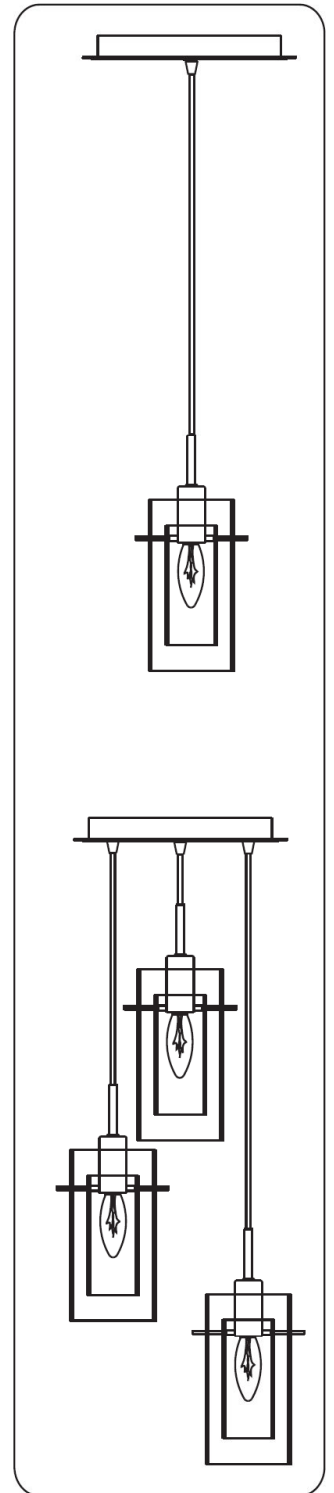
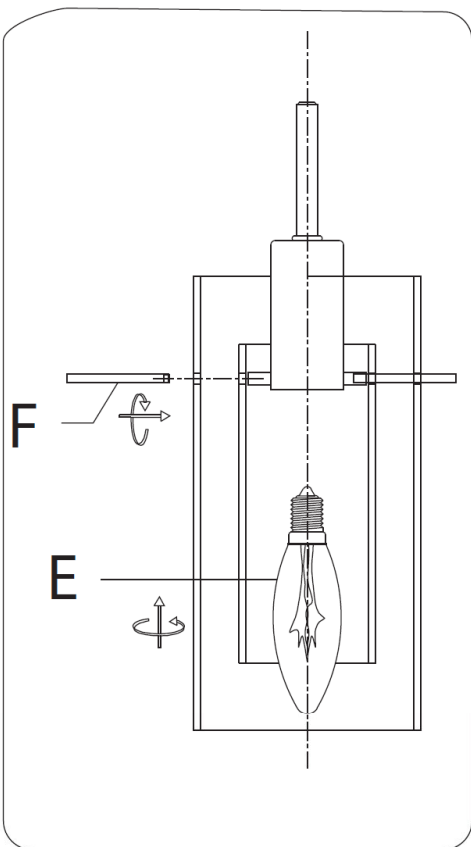
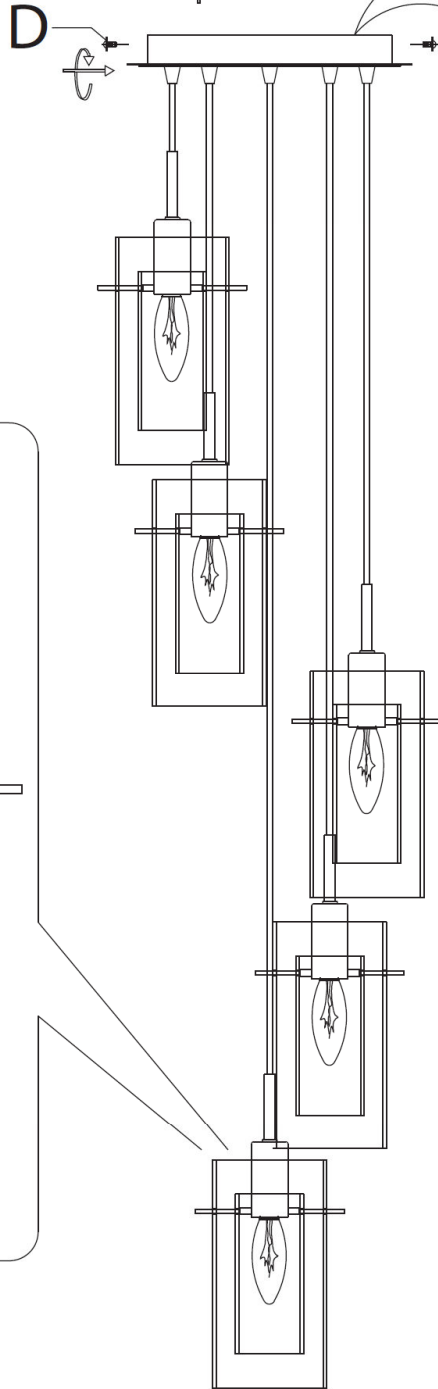
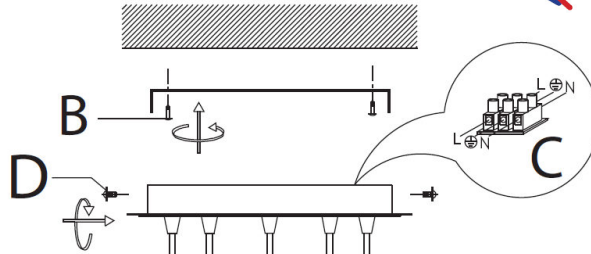
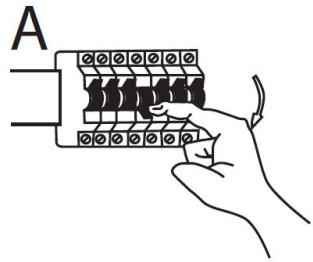


ASSEMBLY INSTRUCTIONS



Q.C APPROVED
08-11-2013
ISSUE 2

