

DL334

Thank you for purchasing this light fitting. Please read the instructions carefully before use to ensure safe and satisfactory operation of this product. Please retain these instructions for future reference.

Warning:



This unit is Safety Extra Low Voltage and must not be earthed.

Please read these instructions carefully before commencing any work.

This unit must be fitted by a competent and qualified electrician.

Install in accordance with IEE Wiring regulations and current Building Regulations.

This system operates at Safety Extra Low Voltage (12V), via a transformer. Never connect the light fittings directly to the mains without using a transformer.

Always unplug the transformer from the mains when installing or maintaining this system.

Only use the correct type and wattage bulb.

When changing a bulb, always switch off at the mains and allow the old bulb to cool down before handling.

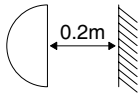
Dispose of used bulbs carefully and responsibly.

This product can be dimmed using a compatible dimmer and transformer.

Waste electrical products should not be disposed of with household waste. Please recycle where facilities exist.

Check with your local authority or retailer for recycling advice.

Siting:



SPOTLIGHTS GIVE A CONCENTRATED BEAM OF LIGHT AND MUST NOT BE POSITIONED ANY CLOSER THAN 0.2M (20CM) TO THE ILLUMINATED SURFACE.

Layout:

- This product has no special protection against the ingress of moisture and is not suitable for use in a bathroom.
- Plan the desired layout of these fittings carefully, ensuring the cables will reach the distances between the transformer, connector block (if used) and each light fitting.
- Ensure that there is adequate ventilation for the transformer.
- Avoid locating any cables in positions that would cause a hazard. Position cables and connector block away from areas where they may be at risk from being cut, trapped or damaged.
- Cables that are to be in walls must be protected using suitable conduit or plastic trunking.

Fixing Sizes:

DL334 : 85mm diameter cutout : 110mm ceiling void (minimum)

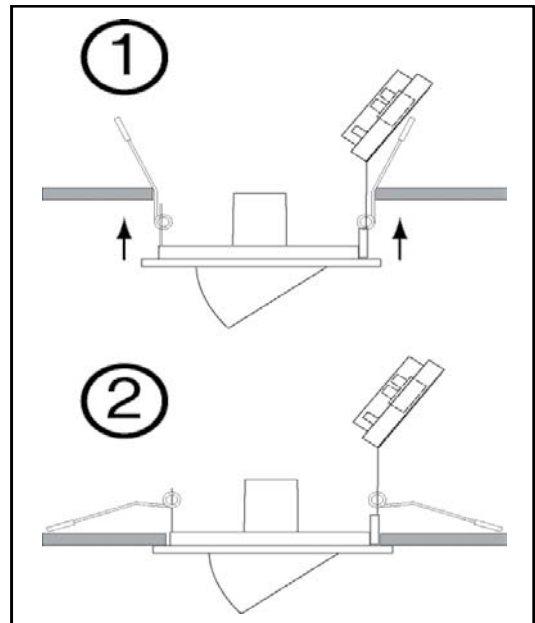
Installation:

1. Position the transformer next to the mains outlet that the system will connect to. Do not connect at this stage.
2. After deciding the layout of the light fittings ensure that the cables are long enough to connect to the desired positions.
3. Connect the wires from the luminaire into the transformer, ensuring correct polarity is observed.

Fitting:

Ensure free movement of air around the fitting by removing any roof void insulation from at least 100mm around the hole. Under no circumstances must these fittings be covered with insulating matting or similar material.

4. The ceiling surface must be flat and smooth to ensure a good fit.
5. Push the spring clips upwards and fit the two longer arms into the ceiling hole. See diagram 1.
6. Push the unit up until firmly in position, ensuring that the cable is not trapped. See diagram 2.

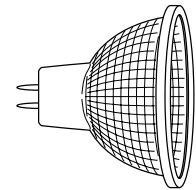


7. Connect the transformer to the mains supply. Replace fuse and switch on.

Fitting / Replacing Bulbs:

When changing a bulb, always switch off at the mains and allow the bulb to cool before handling. Dispose of used bulbs carefully. Use a soft cloth to handle bulbs, avoid directly touching the bulbs as this will shorten their life. Do not exceed the wattage stated or use a different shape bulb from that indicated on the fitting.

12V 50W MAX MR16
HALOGEN BULB



Care and Cleaning:

Finish - Clean with a soft dry cloth. Do not use abrasive materials as these will damage the finish.

Safety Information:

For your safety, always switch off the supply before changing lightbulbs, cleaning or removing shades.