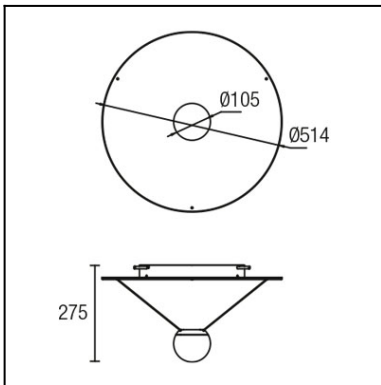
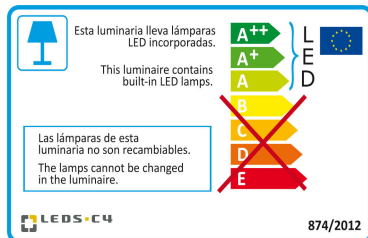


The photograph may not match the reference exactly. Please read the product description to identify the finish.



[Download photometric file .ldt / .ies](#)



[Click on image to download energy label](#)

TECHNICAL CHARACTERISTICS

Type:	Ceiling fixture
IP Protection degrees:	IP23
Light source 1:	1 x LED Cree 25W Warm White - 2700K 3011 lm ^(N) CRI 80
Voltage / Frequency:	220-240V/50-60Hz
Warranty (Years):	2
Option to extend the guarantee (Years):	5
Units per box:	1
Net Weight (Kg):	4.07
EAN:	8435381429454



MATERIALS / FINISHES

Structure material: Steel

Structure finish: Matt white

GEAR

Gear included: Yes, electronic

Dimming protocol: Phase cut

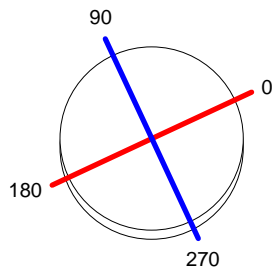
LED'S C4

REF. ENSAYO	REFERENCIA	POTENCIA NOMINAL (W)	POTENCIA (W)	POTENCIA APARENTE (VA)	POTENCIA REACTIVA (VAR)	COSENO DE PHI (PF)	CURRENT (A)
556/2015	15-5100-BW-BW	25	27,29	29,23	10,49	0,933	0,127

Luminaire		Measur.		Lamp			
Code	15-5100-BW-BW	Code	15-5100-BW-BW	Code	15-5100-BW-BW		
Name	Plafón SINGLE led 25W	Name	Plafón SINGLE led 25W	Number	1		
Line	- LEDS C4 LEDS	Date	25-09-2015	Position	Universal		
Luminaire Flux	2263.23 lm	Luminaire Power	25.00 W	Efficacy	90.53 lm/W	Efficiency	100.00%
Lamps Flux	2263.23 lm	Maximum value	466.80 cd	Position	C=30.00 G=30.00	CG Double Symmetrical	
Round Luminaire		Diam.	510 mm	Height	290 mm		
Round Luminous Area		Diam.	510 mm	Height	150 mm		
Horizontal Luminous Area	0.204282 m2			Emitting area on Plane 180°	0.076500 m2		
Emitting area on Plane 0°	0.076500 m2			Emitting area on Plane 270°	0.076500 m2		
Emitting area on Plane 90°	0.076500 m2			Glare area at 76°	0.123648 m2		
Coordinate system	CG			Symmetry Type	Double Symmetrical		
Date	25-09-2015			Maximum Gamma Angle	180		
Measurement Distance	6.44			Measurement Flux	2263.23 lm		
Operator	Asselum T2			Source voltage	230.00 V		
Temperature	24.00 °C			Source current	Prc		
Humidity	47.00 %			Photocell			
Notes							

Line	Code	Luminaire Lamps	Flux [lm]	Pow. [W]	Q.ty
- LEDS C4 LEDS	15-5100-BW-BW	Name Lámpara led 25W	2263.23	25.00	1
C.I.E.	41 75 95 77 100	D DIN 5040	B31		
F UTE	0.77 E + 0.23 T	B NBN	BZ 5		

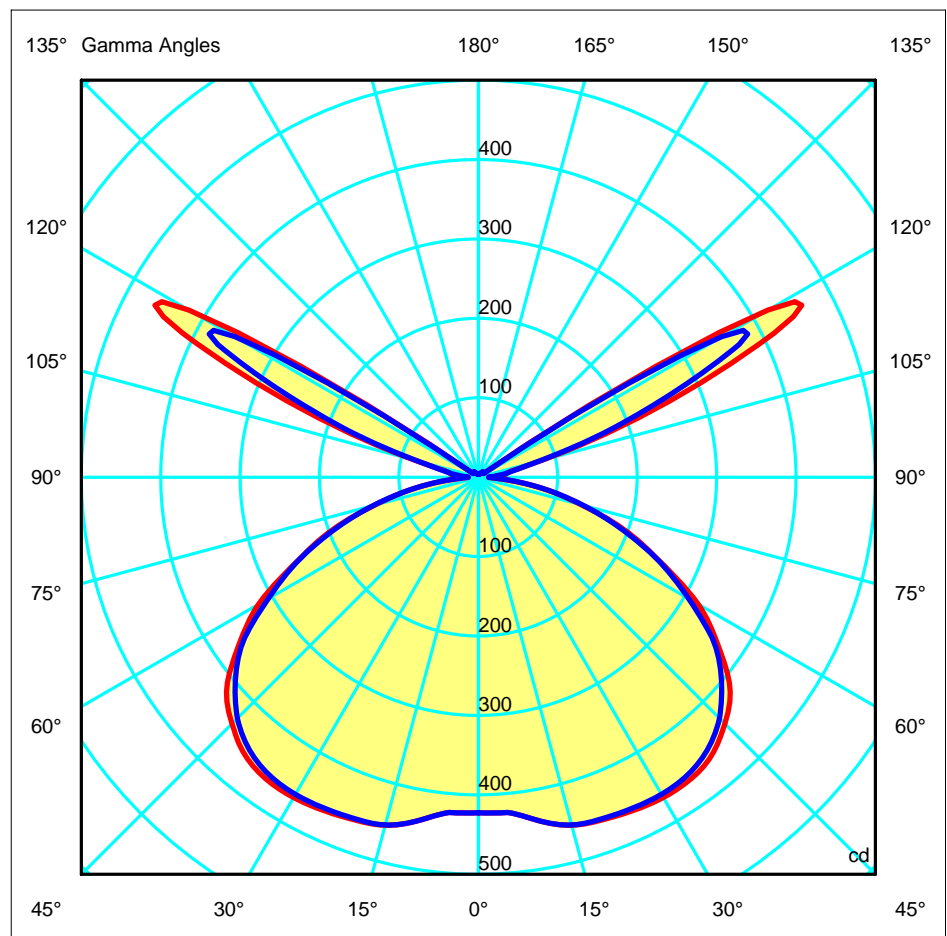
Diam=510mm

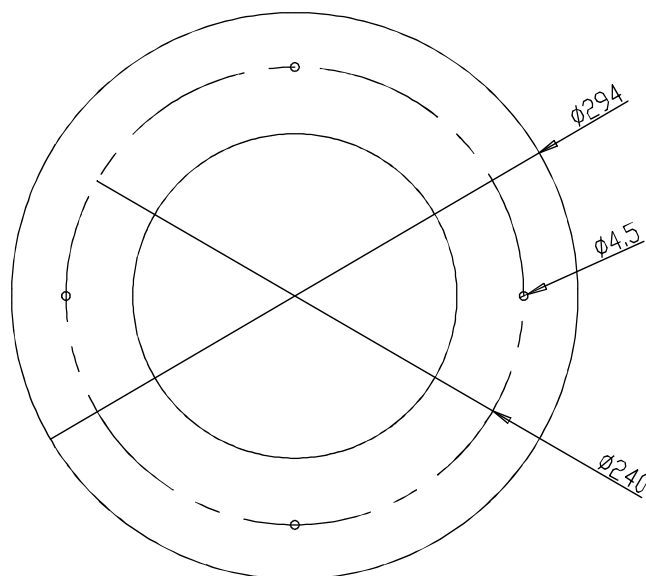
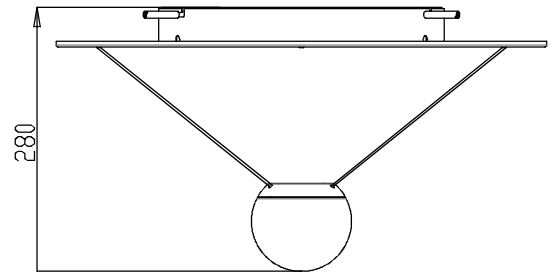
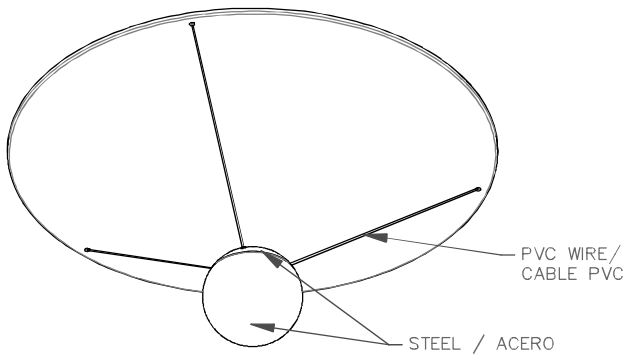
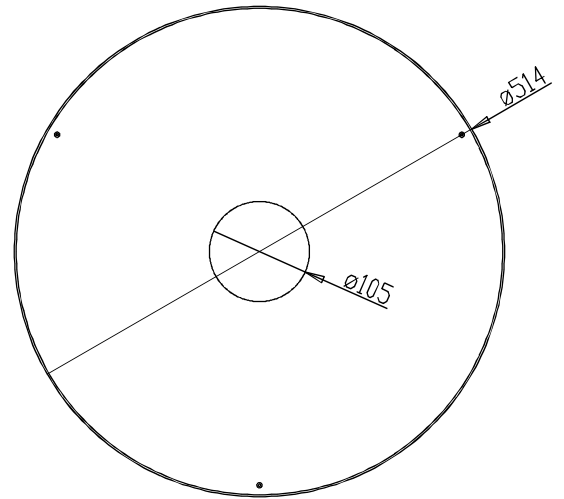
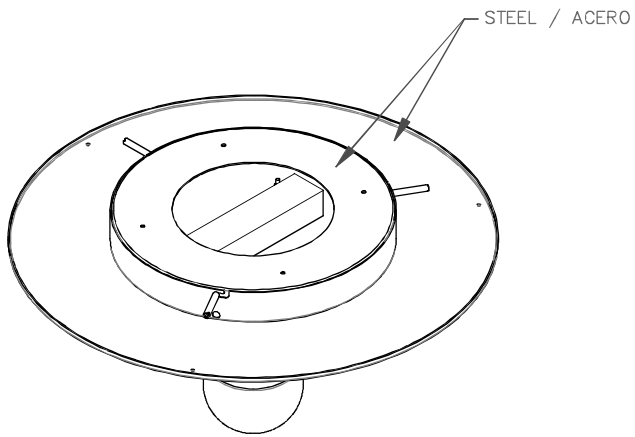


C Halfplanes

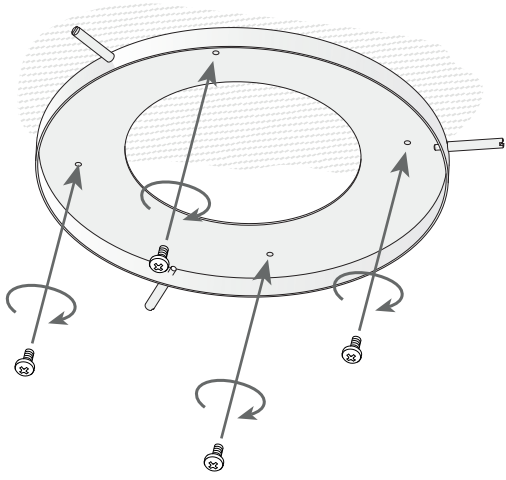
180.0 — 0.0
270.0 — 90.0

ULOR 22.65 %
DLOR 77.35 %
RN 22.65 %

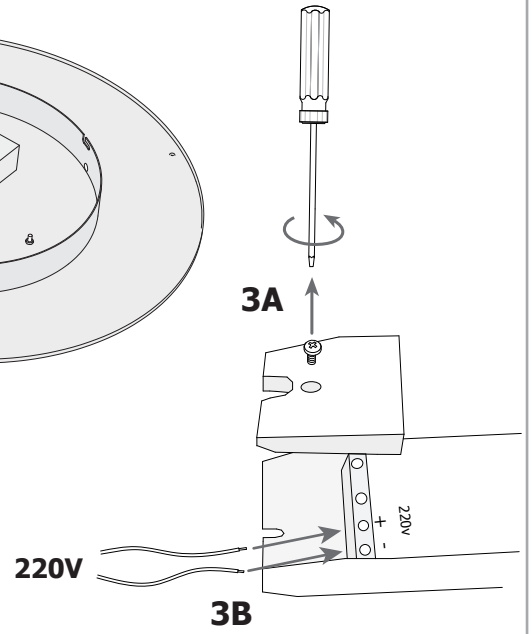
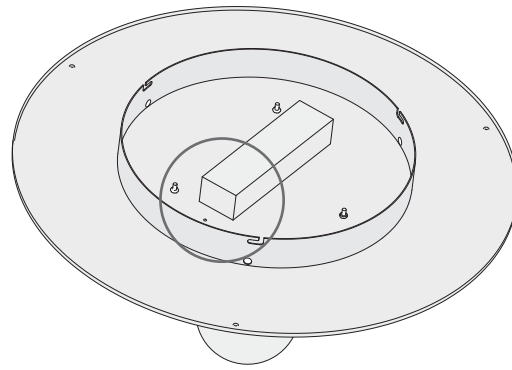




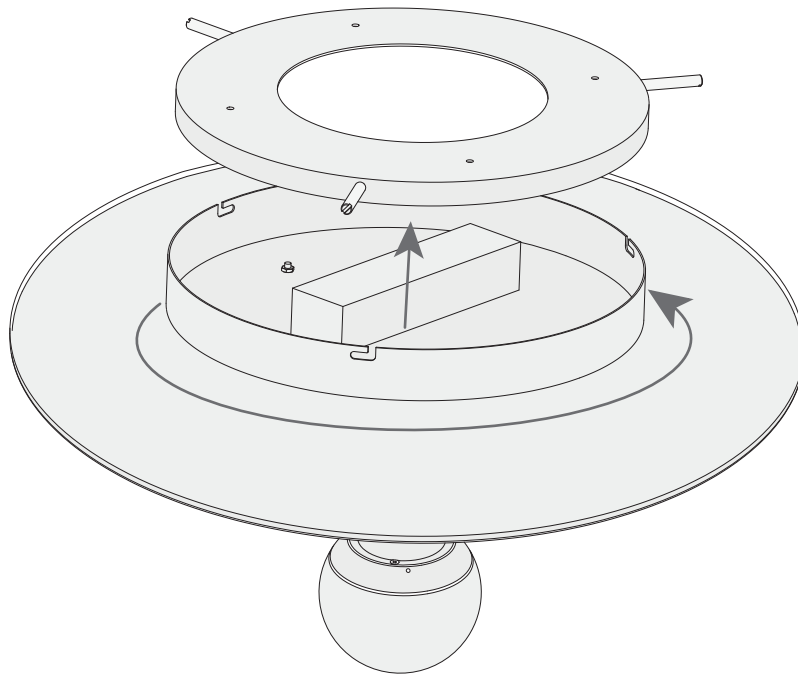
1



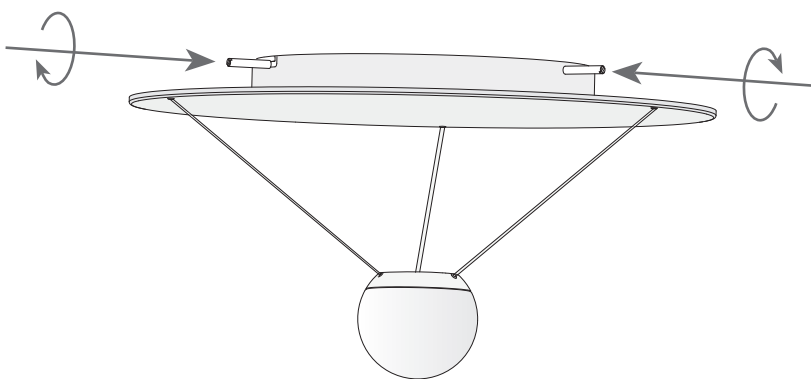
2



3



4



5

