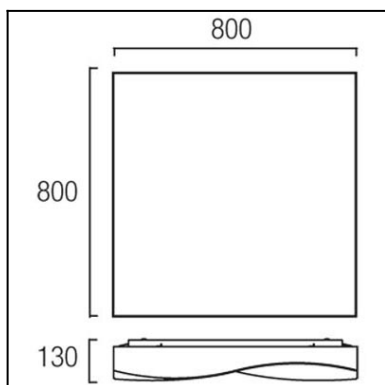
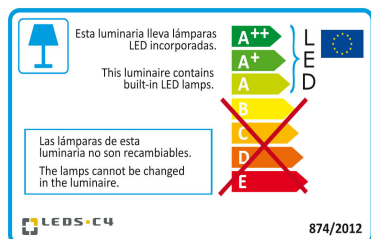




The photograph may not match the reference exactly. Please read the product description to identify the finish.



[Download photometric file .ldt / .ies](#)



[Click on image to download energy label](#)

TECHNICAL CHARACTERISTICS

Type:	Ceiling fixture
IP Protection degrees:	IP23
Light source 1:	324 x LED 62W Warm White - 3000K 5270 lm ^(N) CRI 80
Voltage / Frequency:	100-240V/50-60Hz
Warranty (Years):	2
Option to extend the guarantee (Years):	5
Units per box:	1
Net Weight (Kg):	9.945
EAN:	8435381429492



MATERIALS / FINISHES

Structure material:	Satin aluminium	Diffuser material:	Methacrylate
Structure finish:	Anodized	Diffuser finish:	Opal

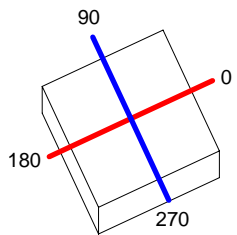
GEAR

Multi-voltage electronic gear included (100-240V / 50-60Hz)

Luminaire		Measur.		Lamp		
Code	15-5096-S2-M1	Code	15-5095-S2-M1	Code	15-5096-S2-M1	
Name	Plafón ONA leds 62W opal 3000K	Name	Plafón ONA leds 40W opal 3000K	Number	1	
Line	- LEDS C4 LEDS	Date	15-07-2015	Position	Universal	
Efficiency	100.00%	Coordinate system	CG	Total Flux	3018.87 lm	
Maximum value	1013.29 cd	Position	C=0.00 G=0.00	Double Symmetrical		
Rectangular Luminaire	Length	800 mm	Width	800 mm	Height	130 mm
Rectangular Luminous Area	Length	800 mm	Width	800 mm	Height	5 mm
Horizontal Luminous Area	0.640000 m2	Emitting area on Plane 180°		0.004000 m2		
Emitting area on Plane 0°	0.004000 m2	Emitting area on Plane 270°		0.004000 m2		
Emitting area on Plane 90°	0.004000 m2	Glare area at 76°		0.158711 m2		
Symmetry Type	Double Symmetrical	Maximum Gamma Angle	180			
Measurement Distance	6.44	Measurement Flux	1947.66 lm			
Operator	Asselum T2	Source voltage	230.00 V			
Temperature	25.00 °C	Source current	Prc			
Humidity	48.00 %	Photocell				
Notes						

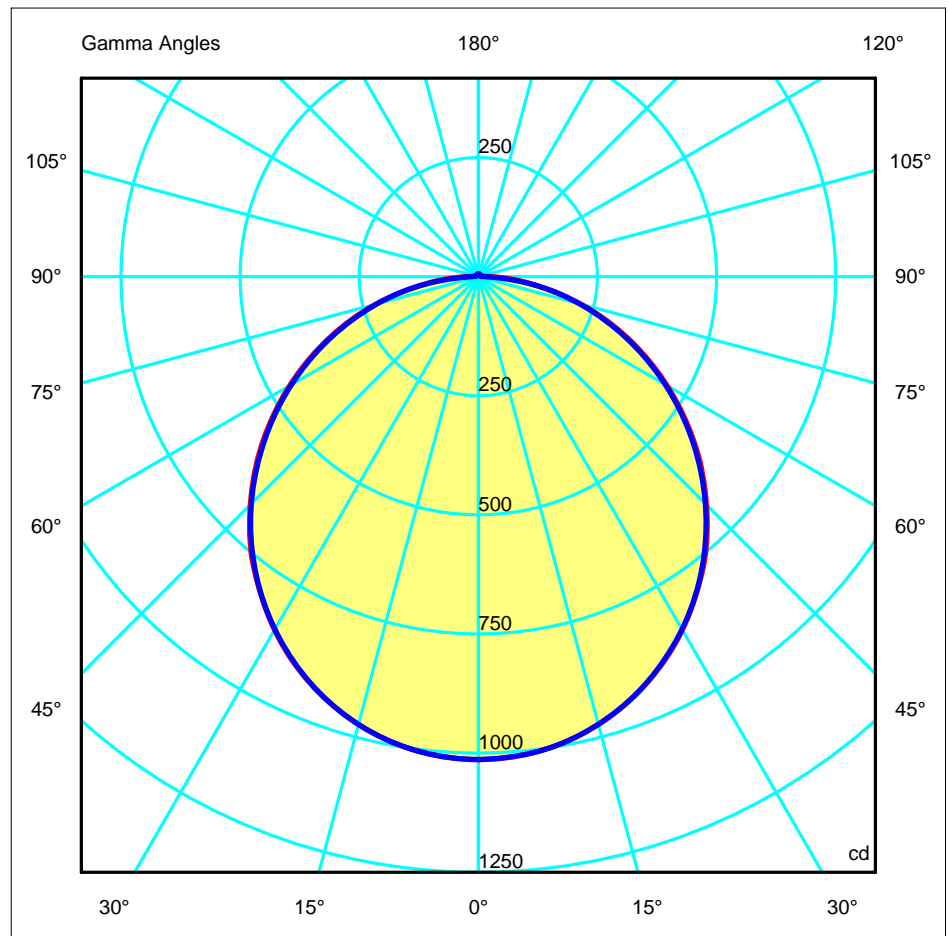
Luminaire Lamps					
Line	Code	Name	Flux [lm]	Pow. [W]	Q.ty
- LEDS C4 LEDS	15-5096-S2-M1	Lámpara led 62W 3000K	3018.87	62.00	1
C.I.E.	46 77 94 99 100	D DIN 5040	A31		
F UTE	0.99 E + 0.01 T	B NBN	BZ 5		

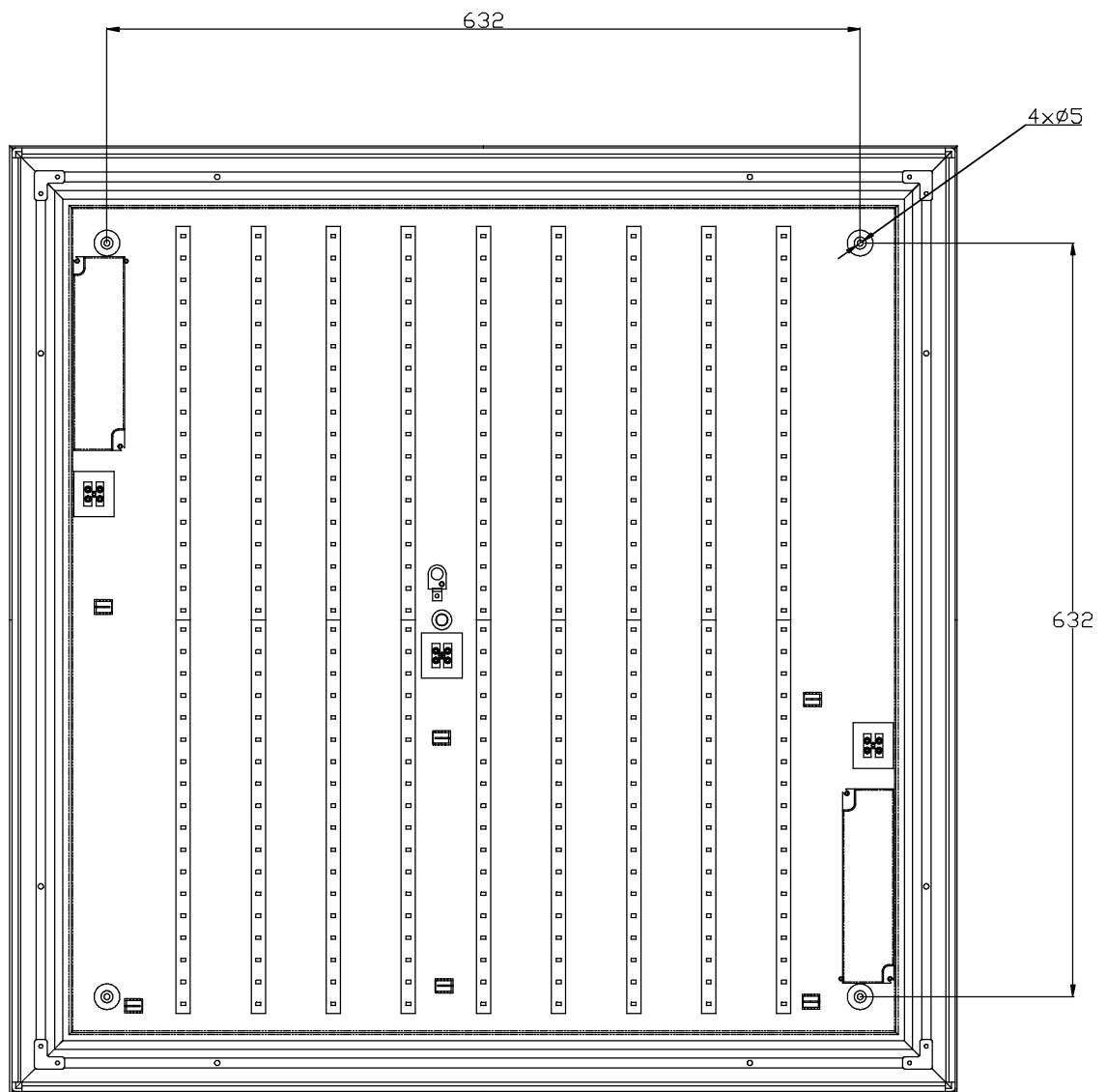
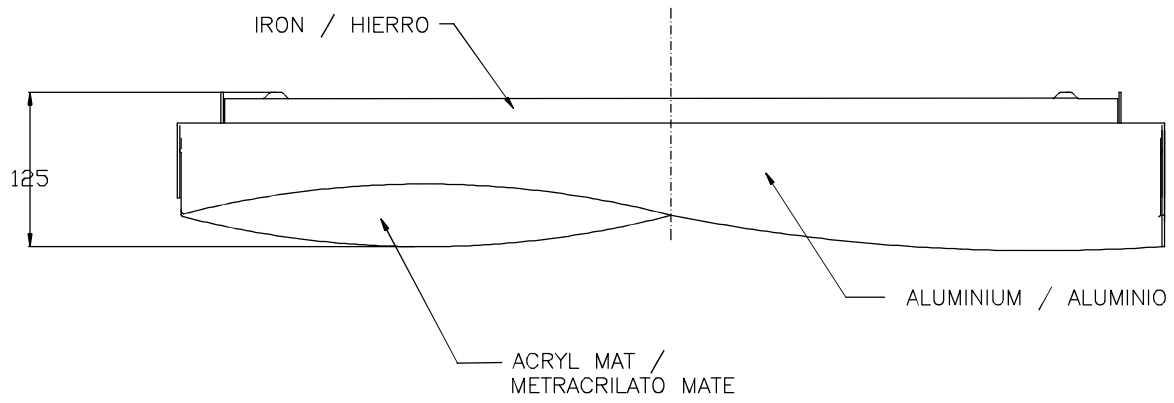
800mm x 800mm



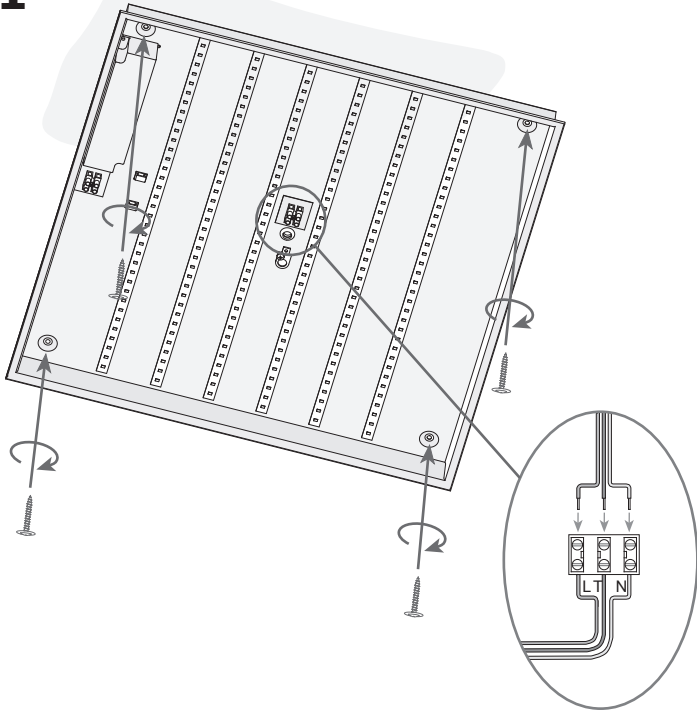
C Halfplanes
 180.0 — 0.0
 270.0 — 90.0

ULOR 1.33 %
 DLOR 98.67 %
 RN 1.33 %

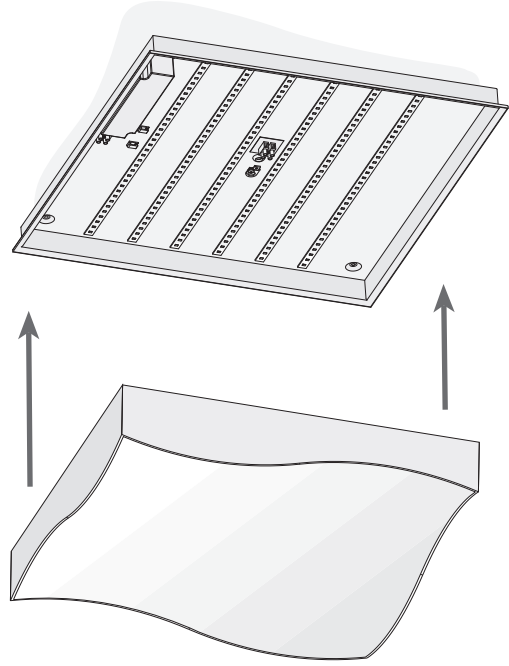




1



2



3

