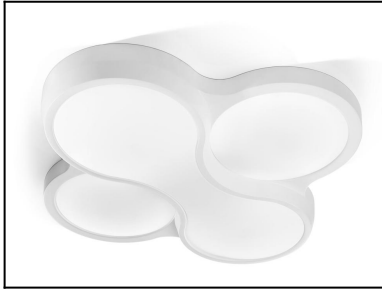
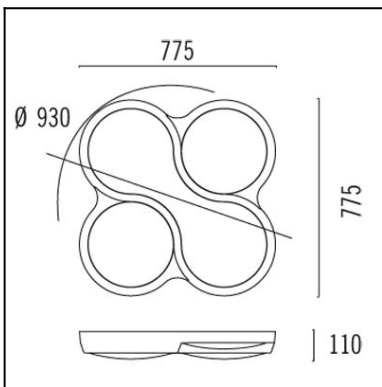


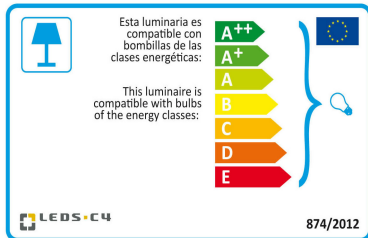
Design by Josep Patsí



The photograph may not match the reference exactly. Please read the product description to identify the finish.



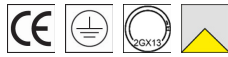
[Download photometric file .ldt / .ies](#)



[Click on image to download energy label](#)

TECHNICAL CHARACTERISTICS

Type:	Ceiling fixture
IP Protection degrees:	IP23
Light source 1:	4 x 2GX13 55W Neutral white (5000 - 3700 K)
Voltage / Frequency:	220-240V/50-60Hz
Warranty (Years):	2
Units per box:	1
Net Weight (Kg):	9.81
EAN:	8435111071083



MATERIALS / FINISHES

Structure material:	Polyurethane	Diffuser material:	Methacrylate
Structure finish:	Matt white	Diffuser finish:	Opal

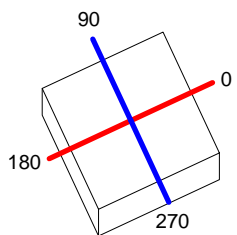
GEAR

Gear included: Yes, electronic

Luminaire		Measur.		Lamp		
Code	15-2807-14-M1	Code	15-2807-14-M1	Code	TL5 cir s80p 55W/840	
Name	Plafón OCHO 4x55W 2GX13 opal	Name	Plafón OCHO 4x55W 2GX13 opal	Number	4	
Line	Eulumdat	Date	10-06-2010	Position		
Efficiency	41.25%	Coordinate system	CG	Total Flux	16800.00 lm	
Maximum value	2456.50 cd	Position	C=0.00 G=0.00	Double Symmetrical		
Rectangular Luminaire	Length	930 mm	Width	930 mm	Height	110 mm
Rectangular Luminous Area	Length	860 mm	Width	860 mm	Height	30 mm
Horizontal Luminous Area	0.739600 m2	Emitting area on Plane 180°		0.025800 m2		
Emitting area on Plane 0°	0.025800 m2	Emitting area on Plane 270°		0.025800 m2		
Emitting area on Plane 90°	0.025800 m2	Glare area at 76°		0.203959 m2		
Symmetry Type	Double Symmetrical	Maximum Gamma Angle	90			
Measurement Distance	0.00	Measurement Flux	16800.00 lm			
Operator	asselum	Source voltage				
Temperature	25.00 °C	Source current				
Humidity	60.00 %	Photocell				
Notes						

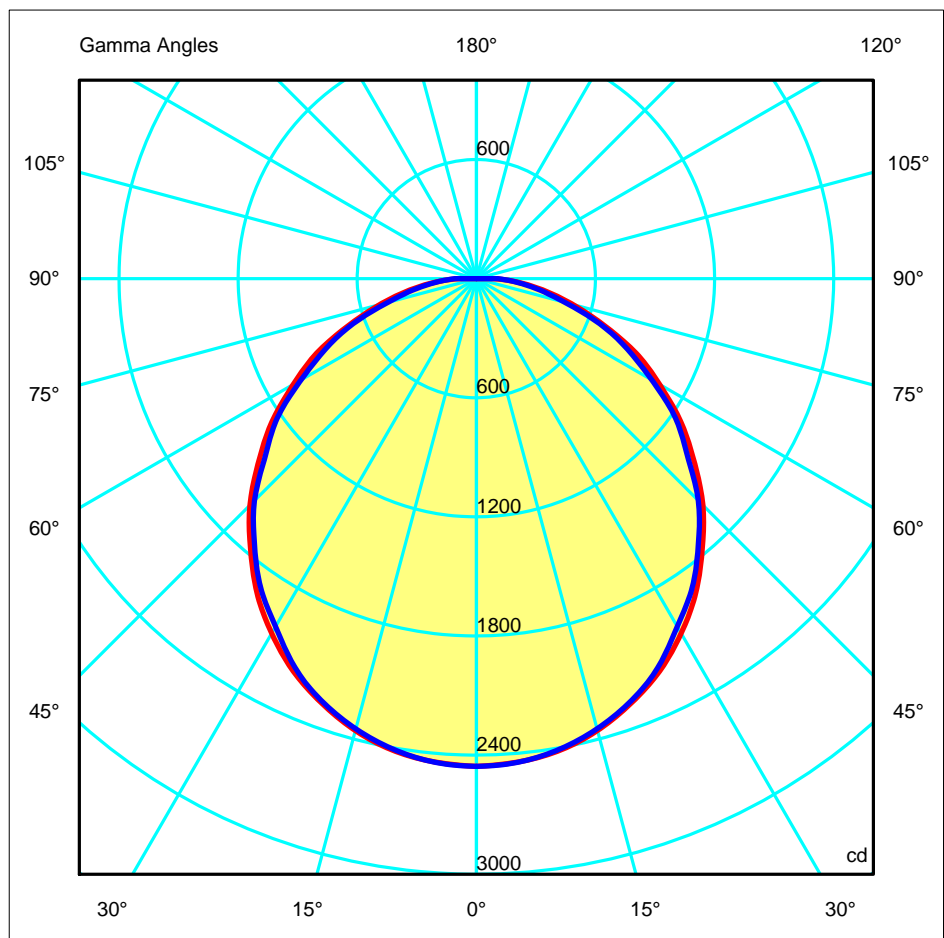
Luminaire Lamps						
Line	Code	Name	Flux [lm]	Pow. [W]	Q.ty	
Eulumdat	TL5 cir s80p 55W/840	TL5 cir s80p 55W/840 - 55.00 W	4200.00	55.00	4	
C.I.E.	47 78 94 100 41	D DIN 5040	A30			
F UTE	0.41 E	B NBN	BZ 5			

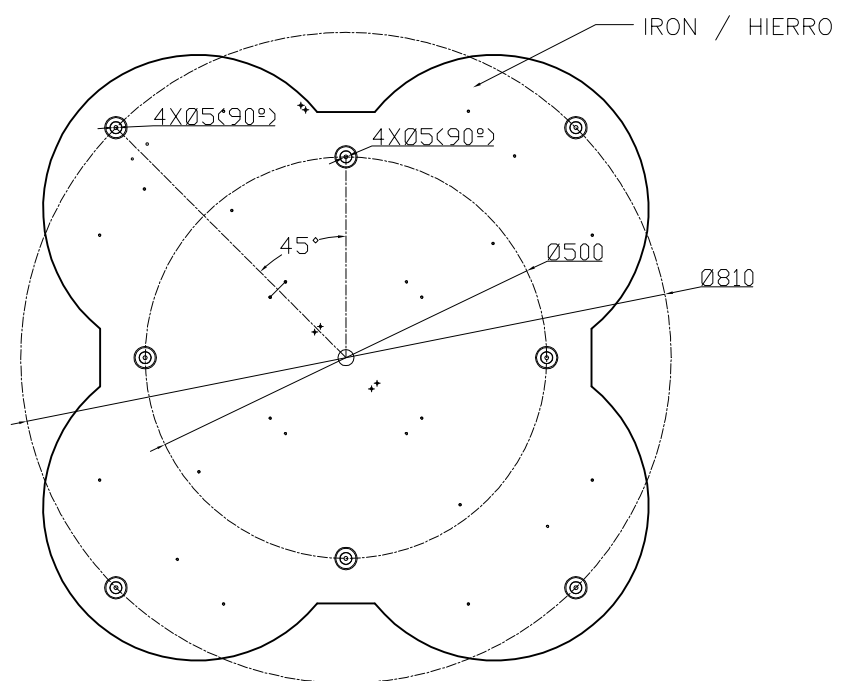
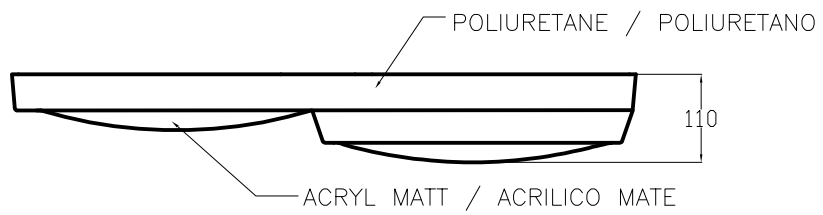
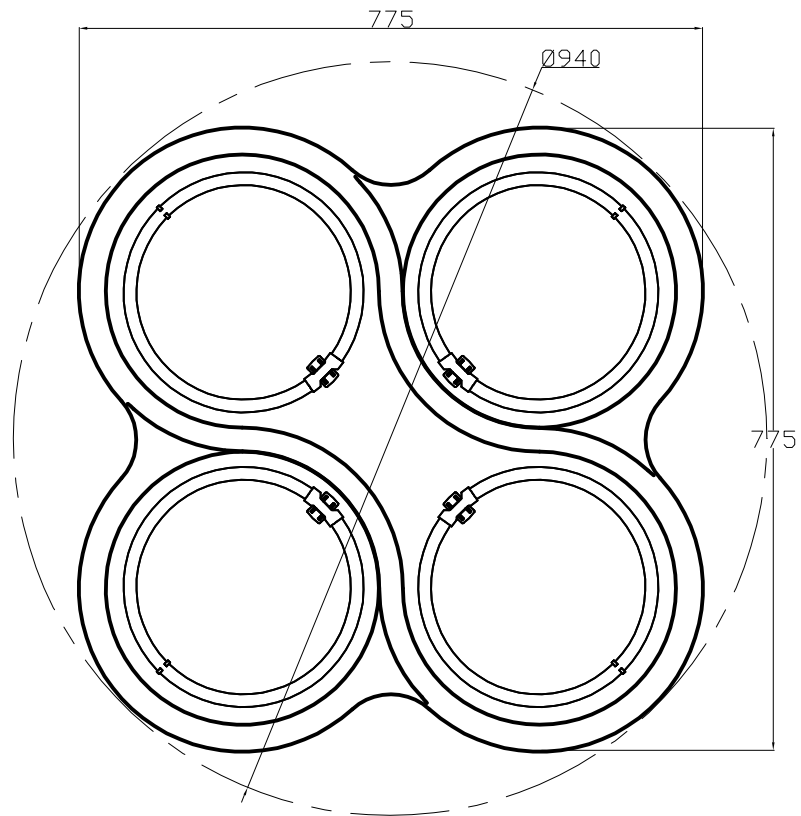
930mm x 930mm



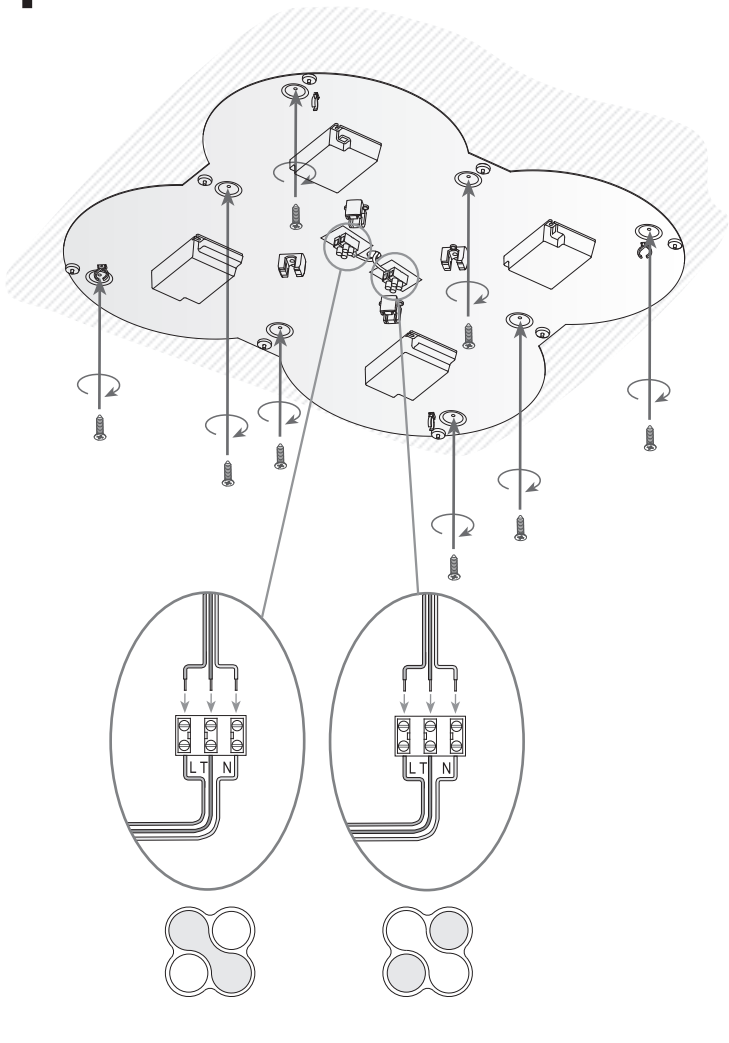
C Halfplanes
 180.0 — 0.0
 270.0 — 90.0

ULOR 0.00 %
 DLOR 41.25 %
 RN 0.00 %

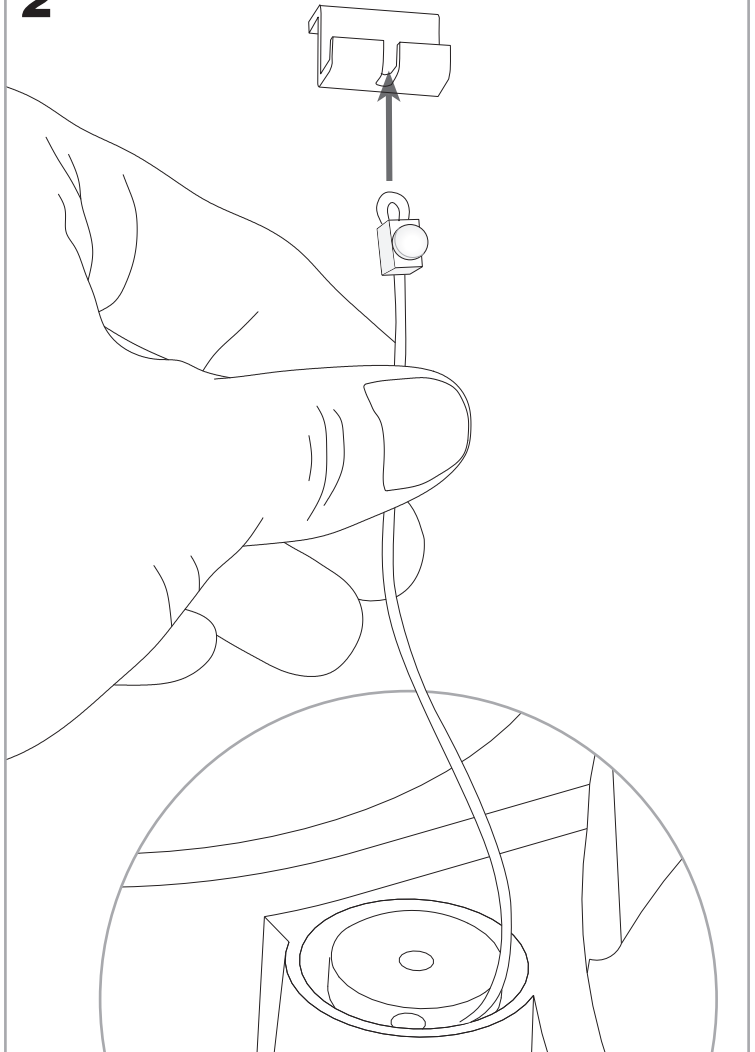




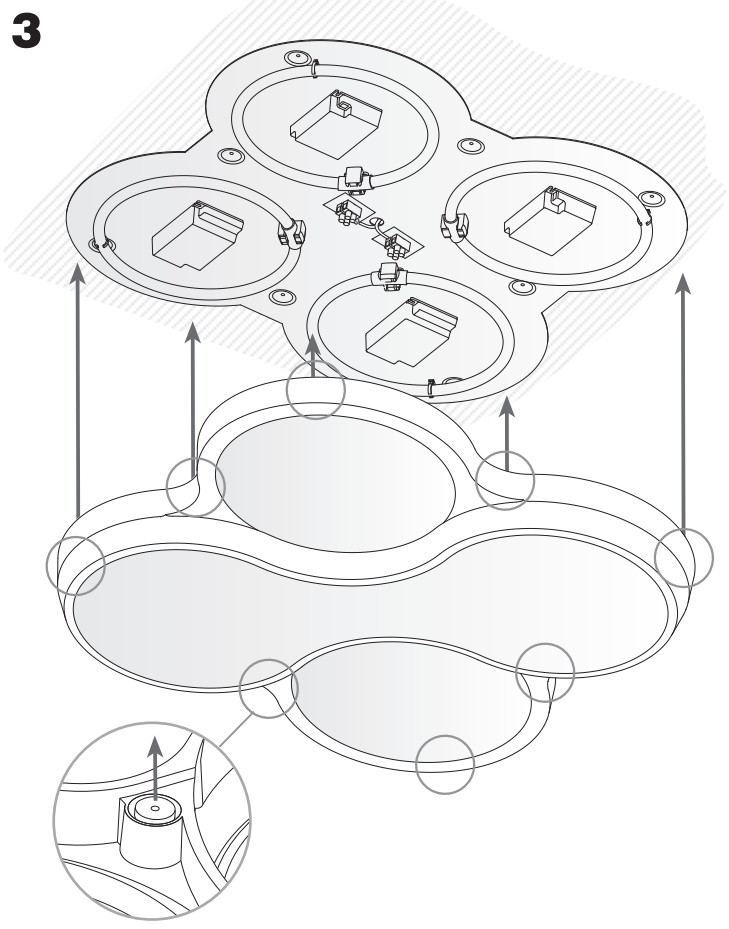
1



2



3



4

