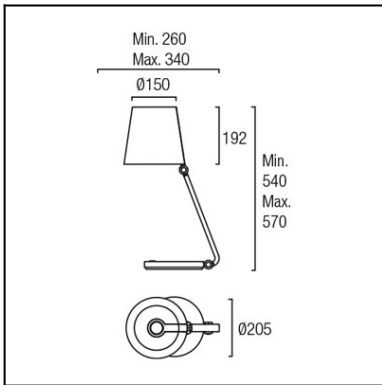
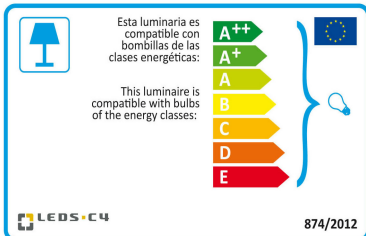


Design by Francesc Vilaró

The photograph may not match the reference exactly. Please read the product description to identify the finish.



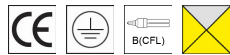
[Download photometric file .ldt / .ies](#)



[Click on image to download energy label](#)

TECHNICAL CHARACTERISTICS

Type:	Table lamp
Adjustable:	Adjustable 350° on the vertical axis.
IP Protection degrees:	IP20
Light source 1:	1 x E14 15W Maximum lamp length: 100.00 mm Maximum lamp diameter: 45.00 mm
Total power consumption (W):	15
Voltage / Frequency:	230-240V/50-60Hz
Warranty (Years):	2
Units per box:	1
Net Weight (Kg):	4.18
EAN:	8435111083253

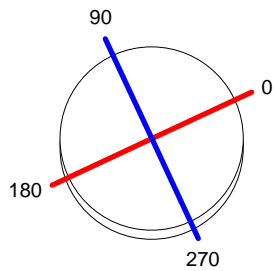
**MATERIALS / FINISHES**

Structure material:	Aluminium	Diffuser material:	Polycarbonate
Structure finish:	Chrome	Diffuser finish:	Fumé Matt opal

Luminaire		Measur.		Lamp	
Code	10-4409-21-12	Code	00-4409-21-12	Code	DLX EL LL 11W827E27
Name	Sobremesa EMY 11W PL E14	Name	Sobremesa EMY 11W PL E14	Number	1
Line	Eulumdat	Date	14-12-2012	Position	
Efficiency	61.09%	Coordinate system	CG	Total Flux	660.00 lm
Maximum value	79.91 cd	Position	C=60.00 G=35.00	Double Symmetrical	
Round Luminaire	Diam.	205 mm	Height	192 mm	
Round Luminous Area	Diam.	205 mm	Height	192 mm	
Horizontal Luminous Area	0.033006 m2	Emitting area on Plane 180°	0.039360 m2		
Emitting area on Plane 0°	0.039360 m2	Emitting area on Plane 270°	0.039360 m2		
Emitting area on Plane 90°	0.039360 m2	Glare area at 76°	0.046176 m2		
Symmetry Type	Double Symmetrical	Maximum Gamma Angle	180		
Measurement Distance	0.00	Measurement Flux	660.00 lm		
Operator	Asselum T2	Source voltage			
Temperature	25.00 °C	Source current			
Humidity	60.00 %	Photocell			
Notes					

Luminaire Lamps						
Line	Code	Name	Flux [lm]	Pow. [W]	Q.ty	
Eulumdat	DLX EL LL 11W827E27	DLX EL LL 11W827E27 - 11.00 W	660.00	11.00	1	
C.I.E.	36 69 88 73 61	D DIN 5040	B21			
F UTE	0.45 G + 0.16 T	B NBN	BZ 6			

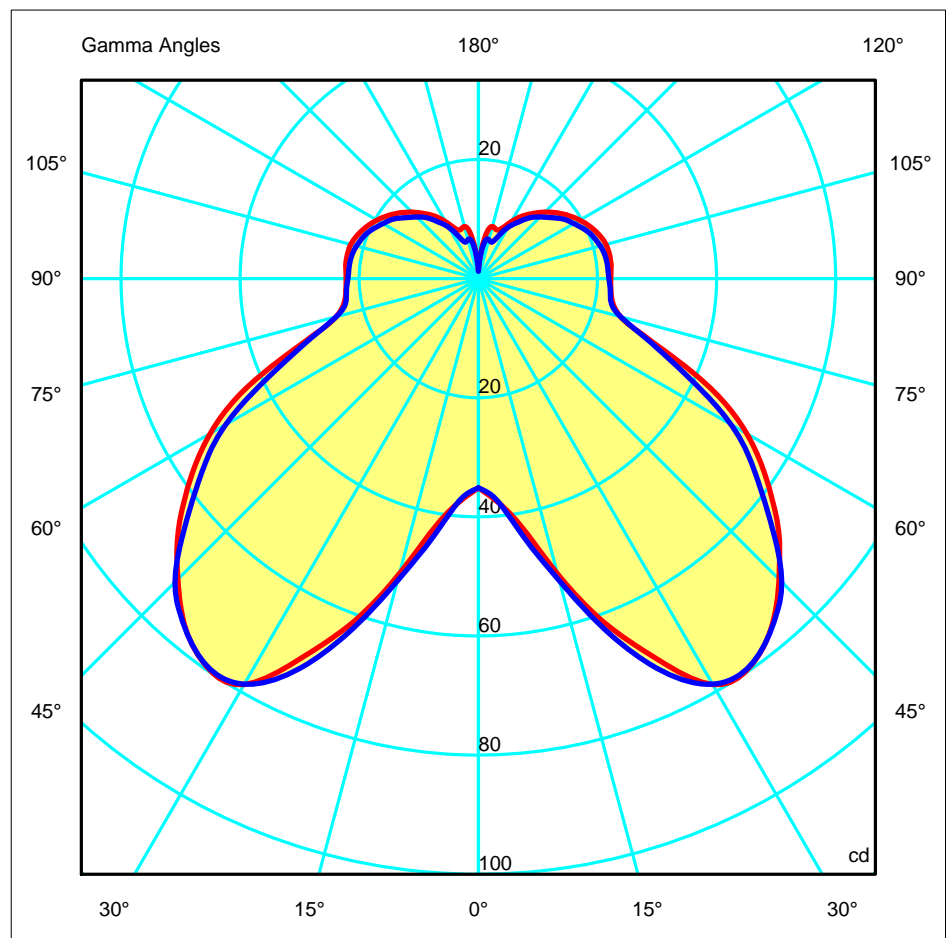
Diam=205mm

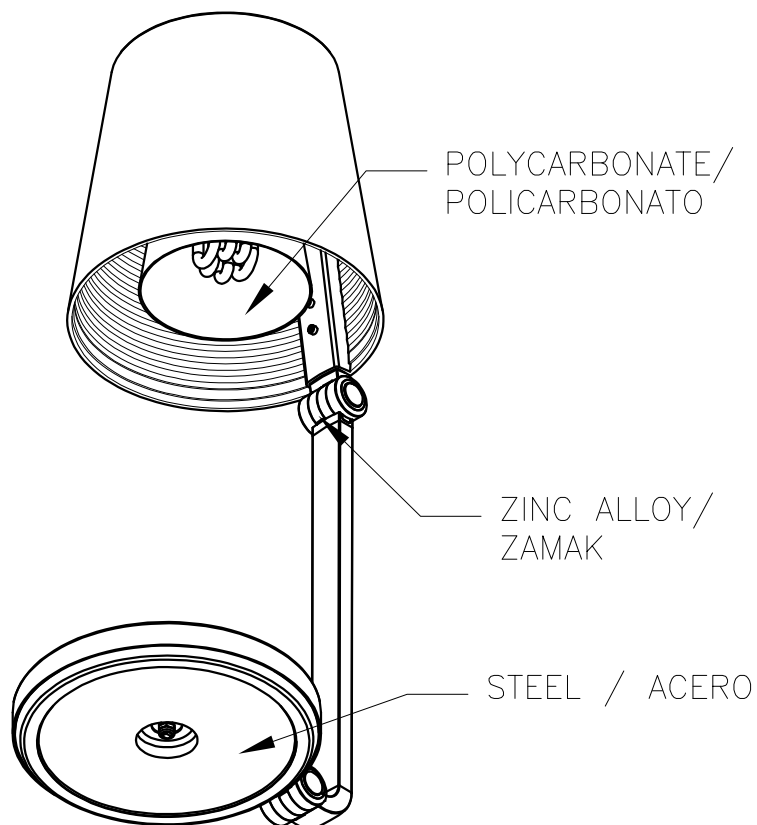
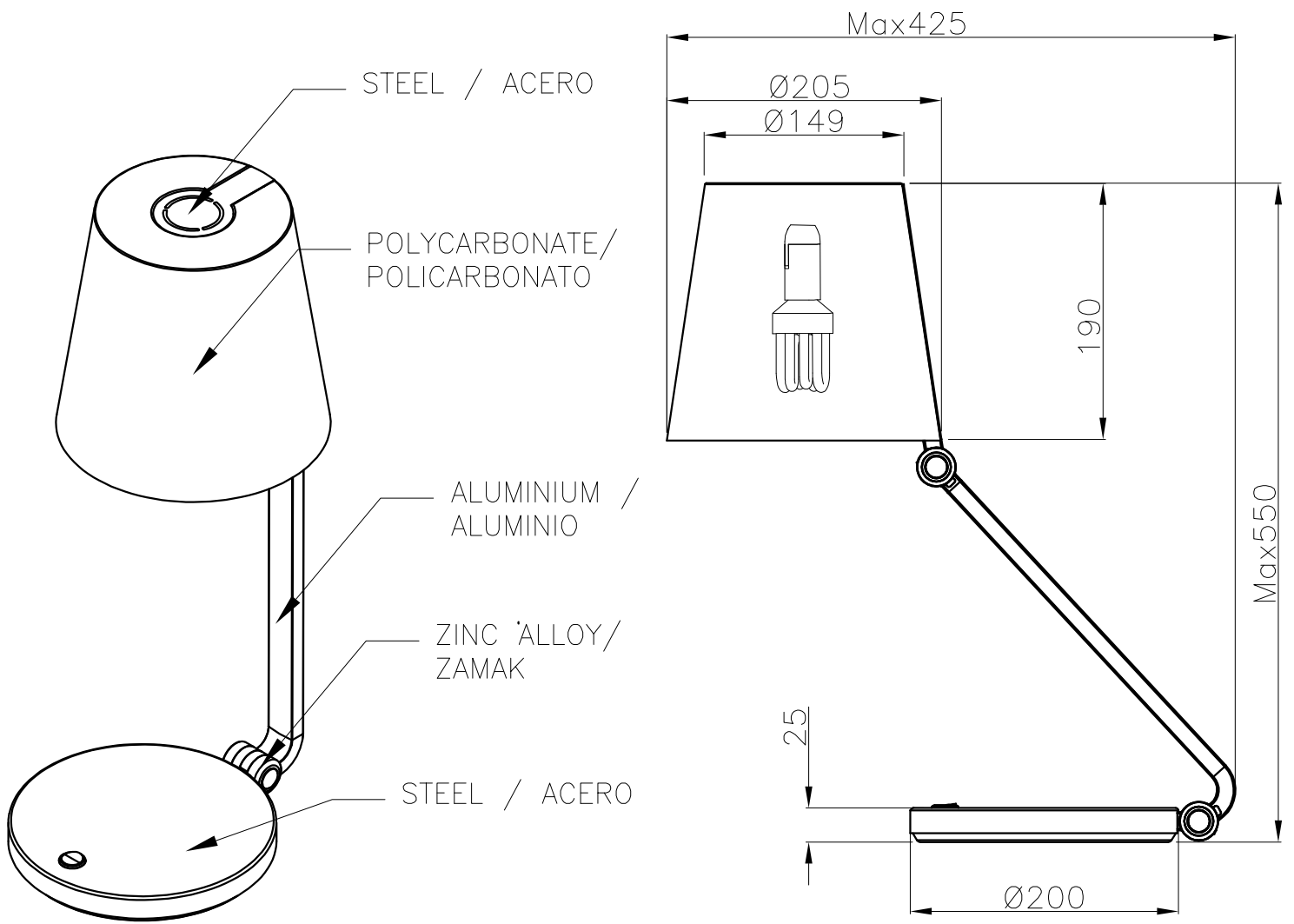


C Halfplanes

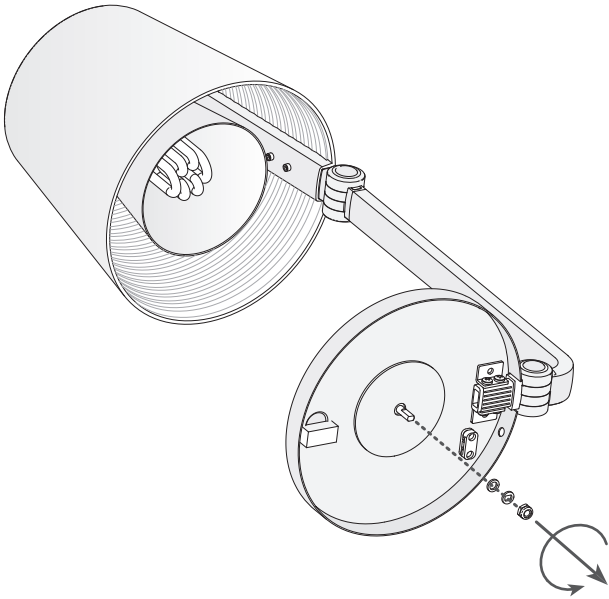
180.0 — 0.0
270.0 — 90.0

ULOR 16.26 %
DLOR 44.83 %
RN 26.62 %

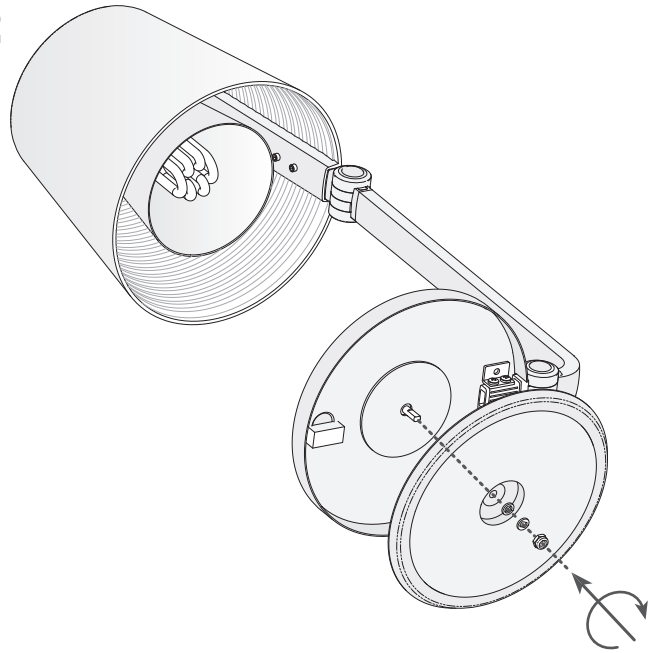




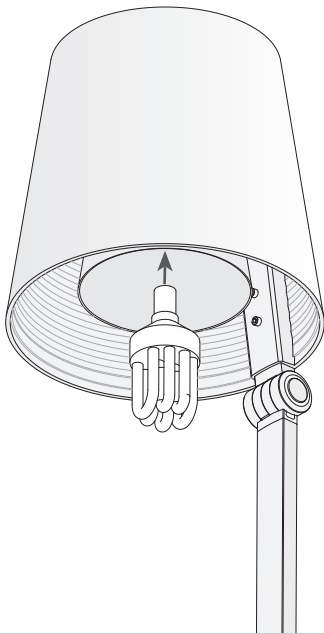
1



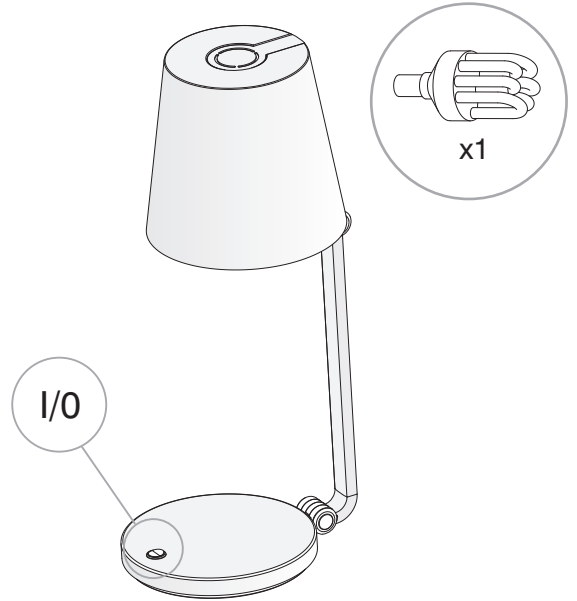
2



3



4



5

