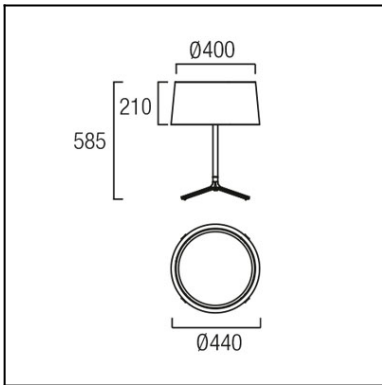


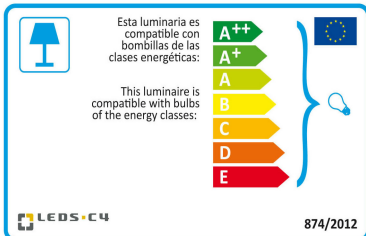
Design by Nahrang design



The photograph may not match the reference exactly. Please read the product description to identify the finish.



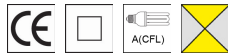
[Download photometric file .ldt / .ies](#)



[Click on image to download energy label](#)

TECHNICAL CHARACTERISTICS

Type:	Table lamp
IP Protection degrees:	IP20
Light source 1:	3 x E27 18W Maximum lamp length: 140.00 mm Maximum lamp diameter: 52.00 mm
Total power consumption (W):	54
Voltage / Frequency:	220-240V/50-60Hz
Units per box:	1
Net Weight (Kg):	4.435
EAN:	8435381433369
Stability:	15°



MATERIALS / FINISHES

Structure material: Steel

Diffuser material: Fabric shade
Methacrylate

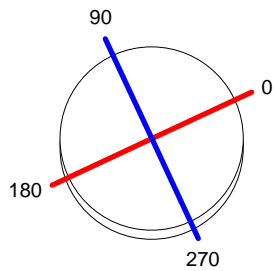
Structure finish: Matt
black

Diffuser finish: Black
Tinted

Luminaire		Measur.		Lamp	
Code	10-1940-BW-14	Code	10-1940-BW-14	Code	GENIE ESAVER 18W/827
Name	Sobremesa HALL 3x18W E27 P196	Name	Sobremesa HALL 3x18W E27 P196	Number	3
Line	Eulumdat	Date	15-07-2014	Position	
Efficiency	80.87%	Coordinate system	CG	Total Flux	3300.00 lm
Maximum value	452.00 cd	Position	C=30.00 G=35.00	Asymmetrical	
Round Luminaire	Diam.	440 mm	Height	230 mm	
Round Luminous Area	Diam.	440 mm	Height	230 mm	
Horizontal Luminous Area	0.152053 m2	Emitting area on Plane 180°	0.101200 m2		
Emitting area on Plane 0°	0.101200 m2	Emitting area on Plane 270°	0.101200 m2		
Emitting area on Plane 90°	0.101200 m2	Glare area at 76°	0.134979 m2		
Symmetry Type	Asymmetrical	Maximum Gamma Angle	180		
Measurement Distance	0.00	Measurement Flux	3300.00 lm		
Operator	Asselum T2	Source voltage			
Temperature	25.00 °C	Source current			
Humidity	60.00 %	Photocell			
Notes					

Luminaire Lamps						
Line	Code	Name	Flux [lm]	Pow. [W]	Q.ty	
Eulumdat	GENIE ESAVER 18W/827	GENIE ESAVER 18W/827 - 18.00 W	1100.00	18.00	3	
C.I.E.	33 68 91 65 81	D DIN 5040				
F UTE	0.53 I + 0.28 T	B NBN				
		B21				
		BZ 6				

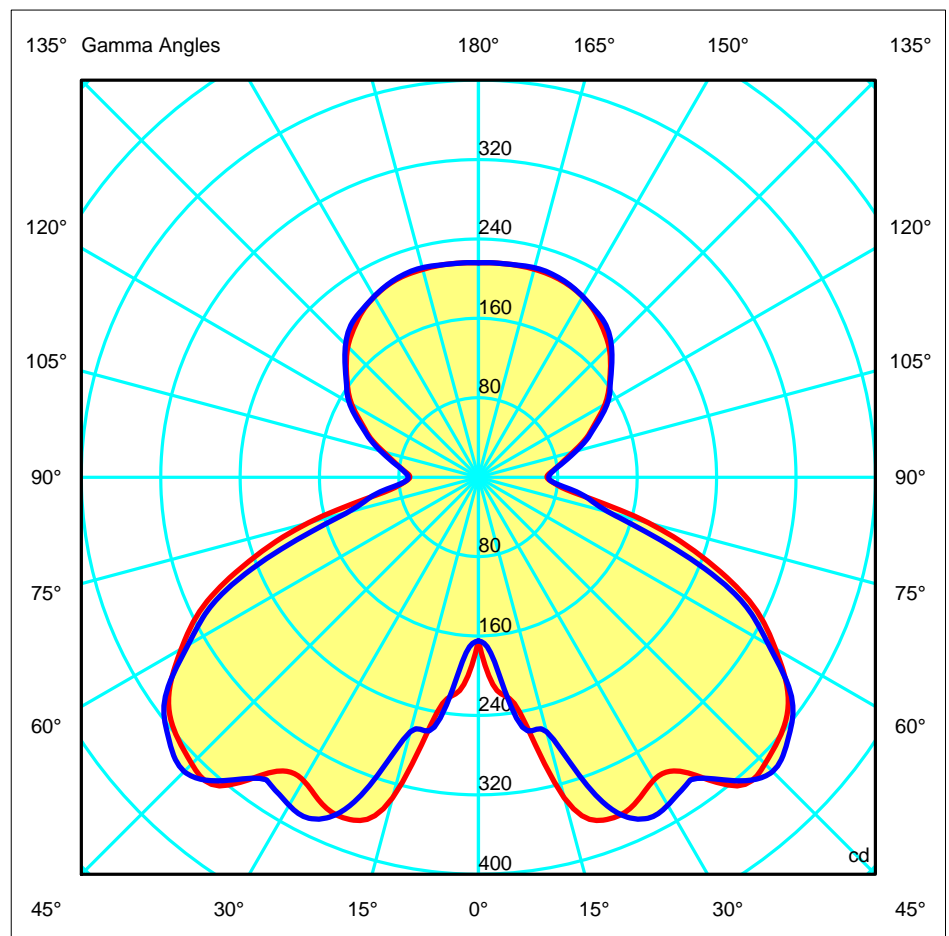
Diam=440mm

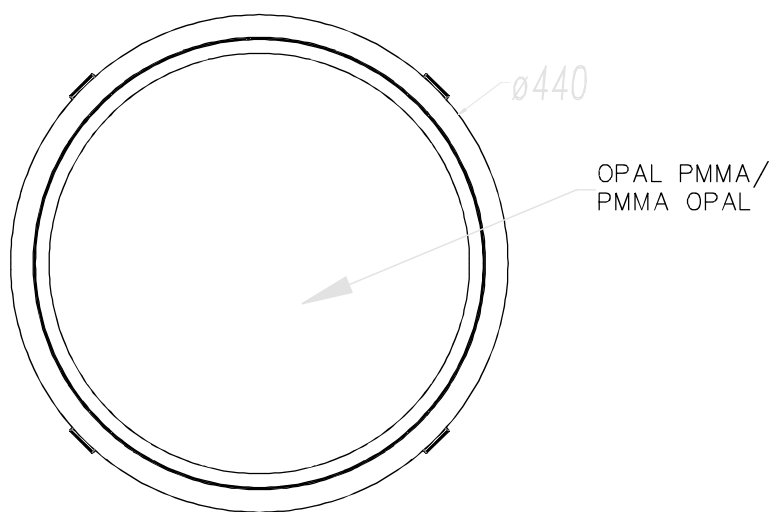
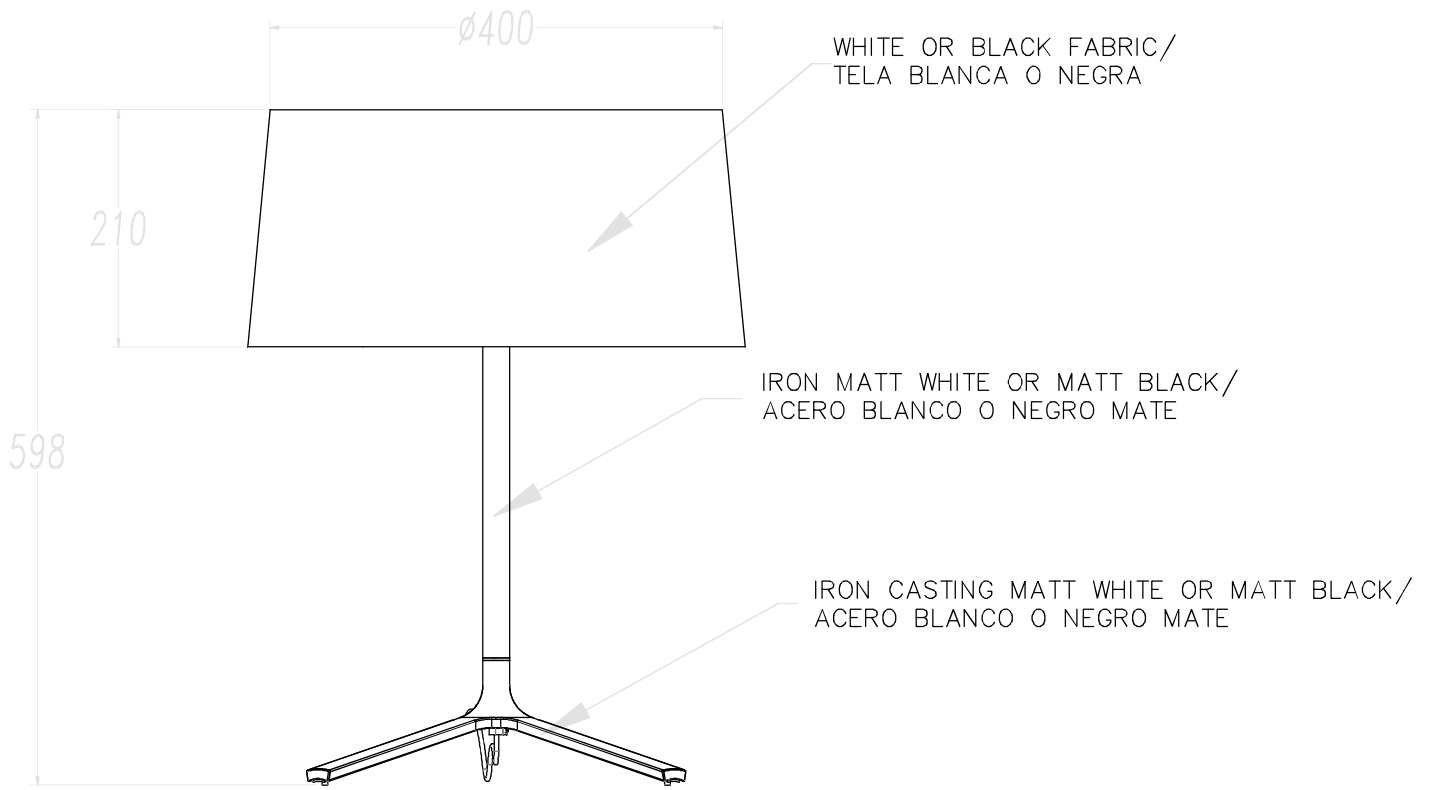


C Halfplanes

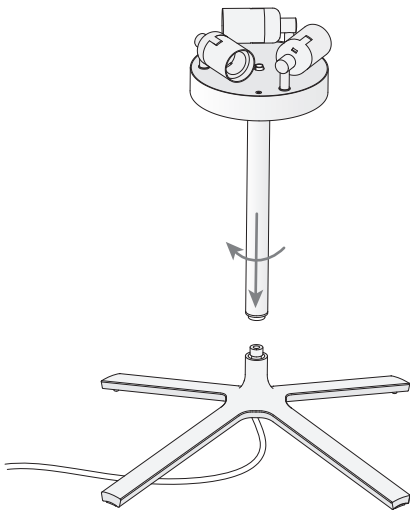
180.0 — 0.0
270.0 — 90.0

ULOR 27.92 %
DLOR 52.95 %
RN 34.52 %

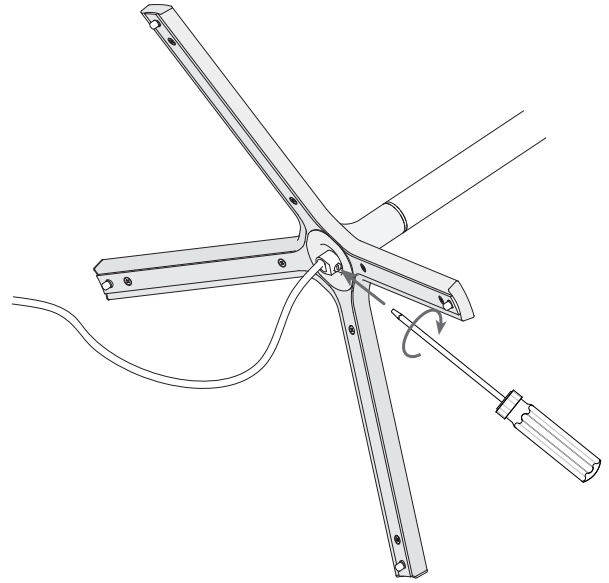




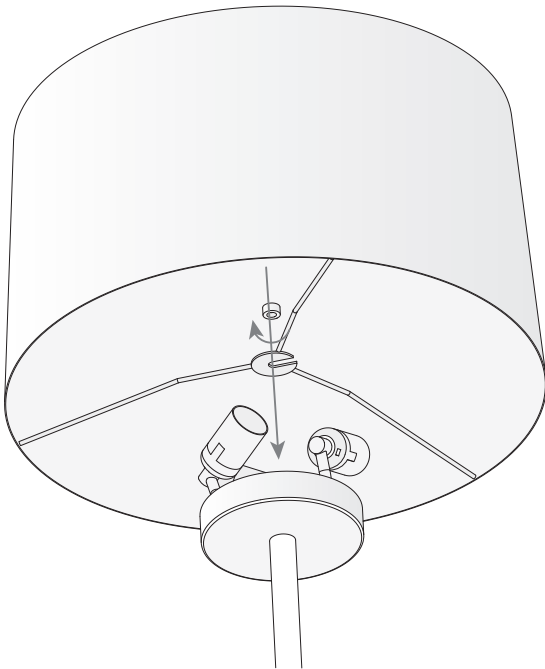
1



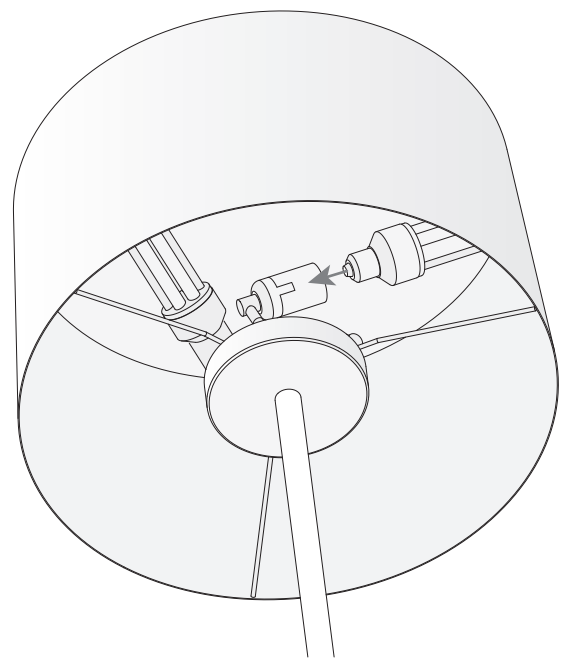
2



3



4



5

