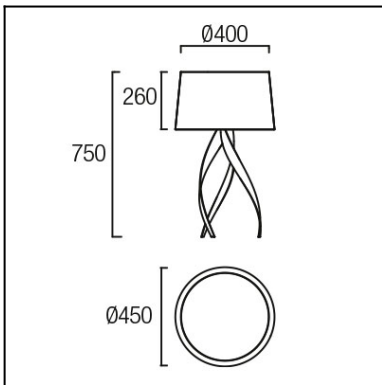


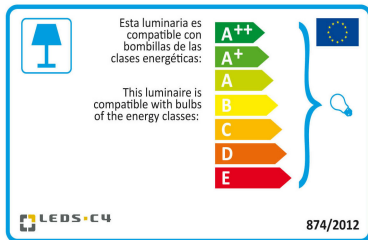
## Design by Ramon Valls



The photograph may not match the reference exactly. Please read the product description to identify the finish.



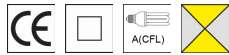
[Download photometric file .ldt /.ies](#)



[Click on image to download energy label](#)

### TECHNICAL CHARACTERISTICS

Type:	Table lamp
IP Protection degrees:	IP20
Light source 1:	1 x E27 18W Maximum lamp length: 140.00 mm
Total power consumption (W):	18
Voltage / Frequency:	220-240V/50-60Hz
Warranty (Years):	2
Units per box:	1
Net Weight (Kg):	1.59
EAN:	8435381408398



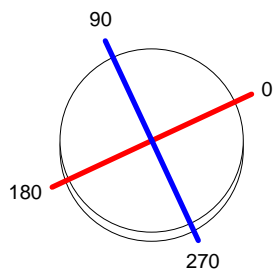
### MATERIALS / FINISHES

<b>Structure material:</b>	Aluminium	<b>Diffuser material:</b>	Fabric shade Methacrylate
<b>Structure finish:</b>	Matt white	<b>Diffuser finish:</b>	Grey Matt

Luminaire		Measur.		Lamp	
Code	10-1824-BW-T002	Code	10-1824-BW-T002	Code	DLX EL FCY 18W827E27
Name	Sobremesa MEDUSA 18W tela T002	Name	Sobremesa MEDUSA 18W tela T002	Number	1
Line	Eulumdat	Date	09-07-2013	Position	
Efficiency	58.98%	Coordinate system	CG	Total Flux	1100.00 lm
Maximum value	147.55 cd	Position	C=0.00 G=35.00	Double Symmetrical	
Round Luminaire	Diam.	450 mm	Height	260 mm	
Round Luminous Area	Diam.	450 mm	Height	260 mm	
Horizontal Luminous Area	0.159043 m2	Emitting area on Plane 180°		0.117000 m2	
Emitting area on Plane 0°	0.117000 m2	Emitting area on Plane 270°		0.117000 m2	
Emitting area on Plane 90°	0.117000 m2	Glare area at 76°		0.152001 m2	
Symmetry Type	Double Symmetrical	Maximum Gamma Angle		180	
Measurement Distance	0.00	Measurement Flux		1100.00 lm	
Operator	Asselum T2	Source voltage			
Temperature	25.00 °C	Source current			
Humidity	60.00 %	Photocell			
Notes					

Luminaire Lamps					
Line	Code	Name	Flux [lm]	Pow. [W]	Q.ty
Eulumdat	DLX EL FCY 18W827E27	DLX EL FCY 18W827E27 - 18.00 W	1100.00	18.00	1
C.I.E.	46 82 96 70 59	D DIN 5040	B31		
F UTE	0.41 F + 0.18 T	B NBN	BZ 5 / 1 / BZ 4		

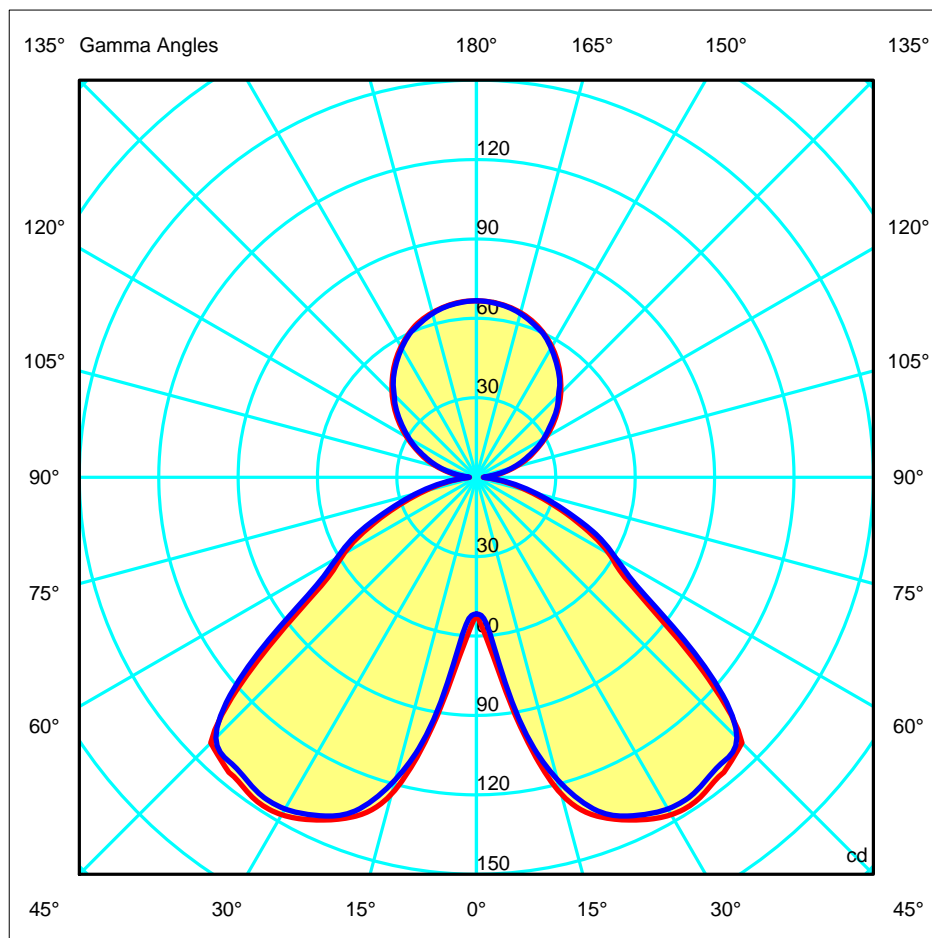
Diam=450mm

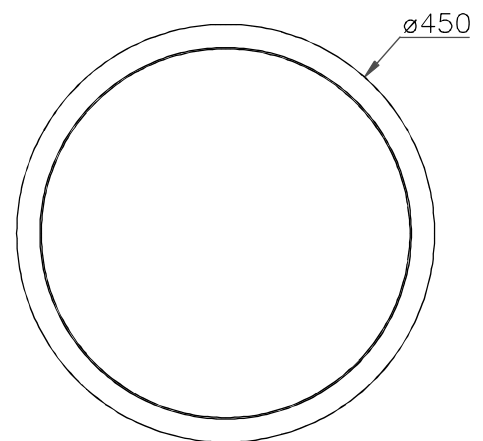
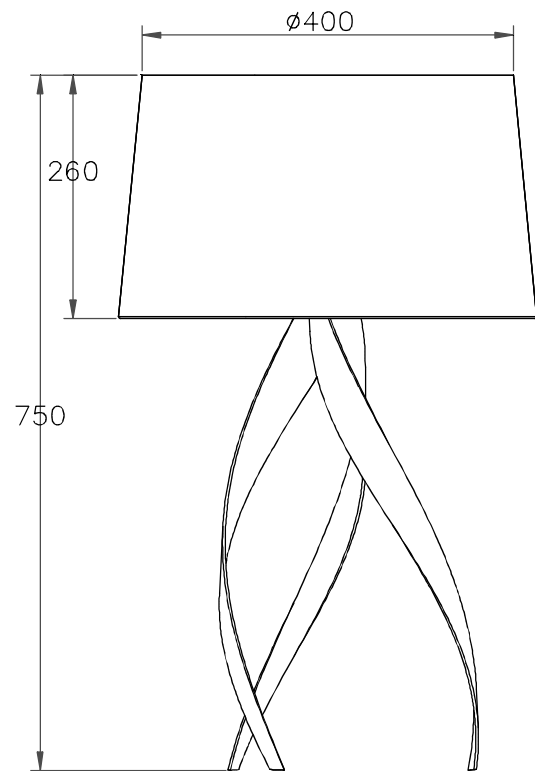
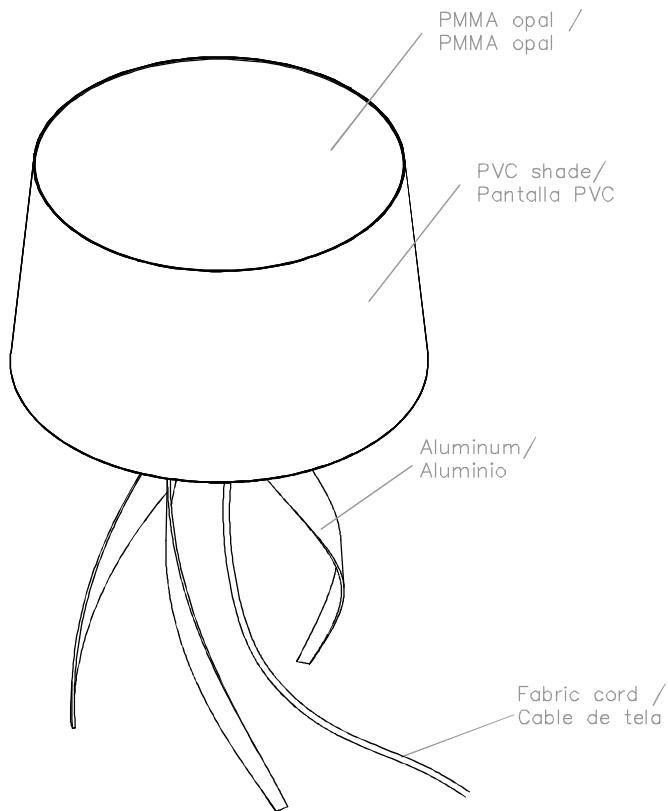


C Halfplanes

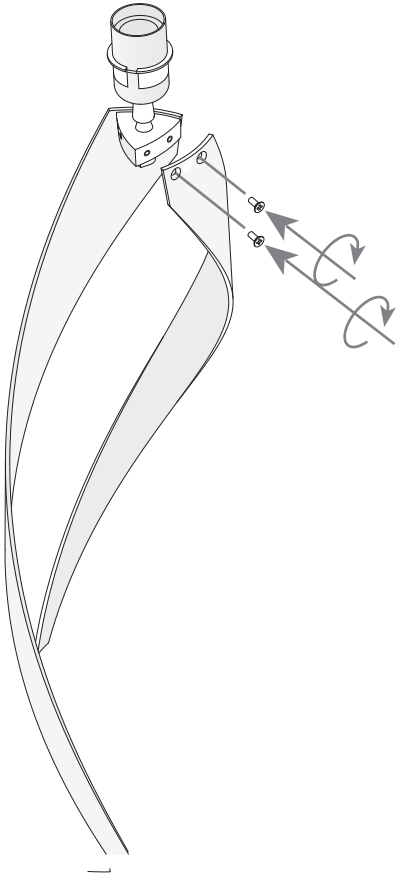
180.0 — 0.0  
270.0 — 90.0

ULOR 17.77 %  
DLOR 41.21 %  
RN 30.13 %

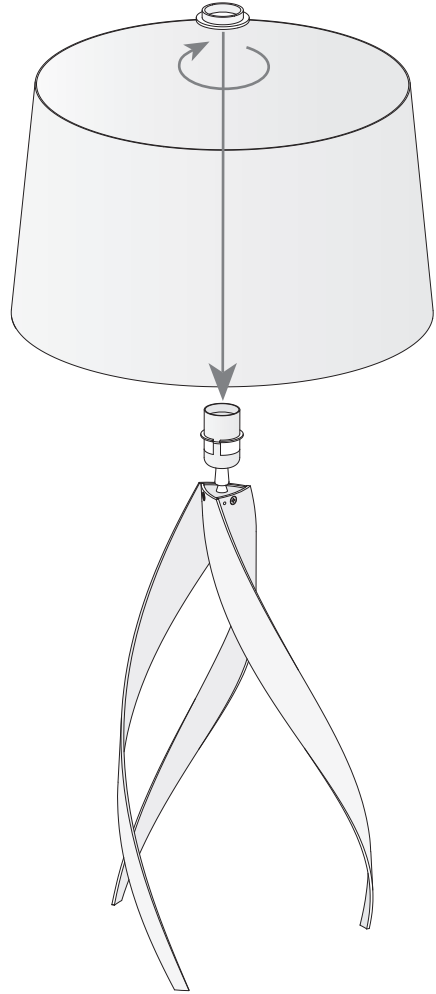




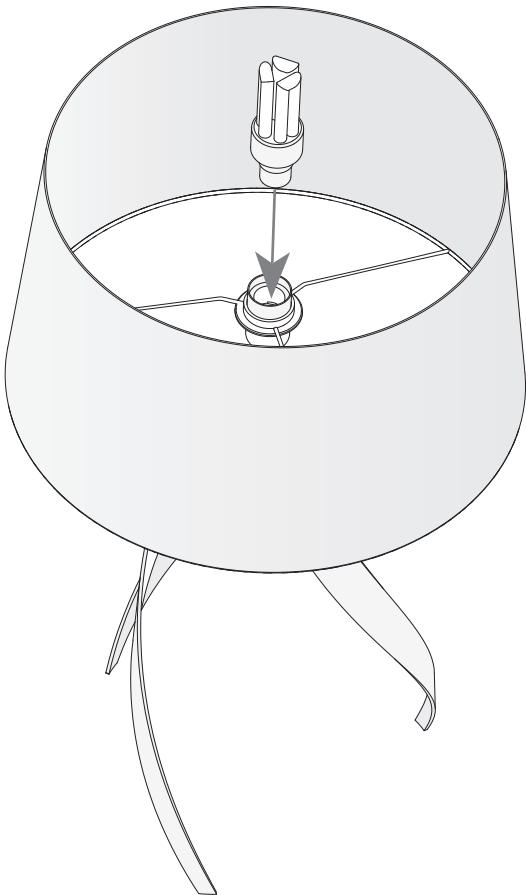
1



2



3



4

