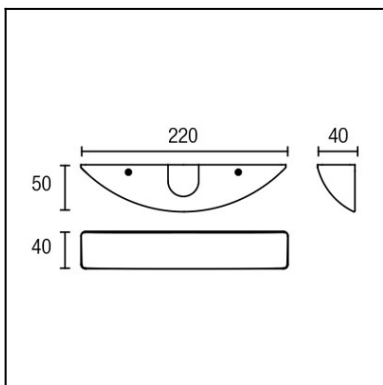
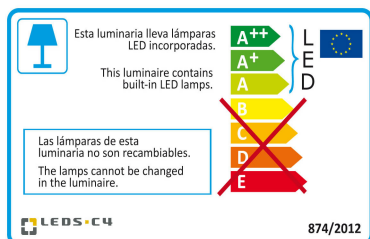




The photograph may not match the reference exactly. Please read the product description to identify the finish.



[Download photometric file .ldt / .ies](#)



[Click on image to download energy label](#)

## TECHNICAL CHARACTERISTICS

Type:	Wall fixture
IP Protection degrees:	IP20
Light source 1:	1 x LED Samsung 4.5W Warm White - 3000K 290 lm <sup>(N)</sup> CRI 80
Total power consumption (W):	4.5
Voltage / Frequency:	220-240V/50-60Hz
Warranty (Years):	2
Option to extend the guarantee (Years):	5
Units per box:	8
Net Weight (Kg):	0.255
EAN:	8435381429294



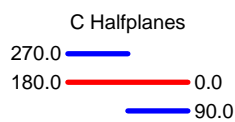
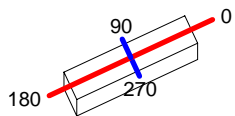
## MATERIALS / FINISHES

<b>Structure material:</b>	Aluminium	<b>Diffuser material:</b>	Methacrylate
<b>Structure finish:</b>	Matt white	<b>Diffuser finish:</b>	Transparent

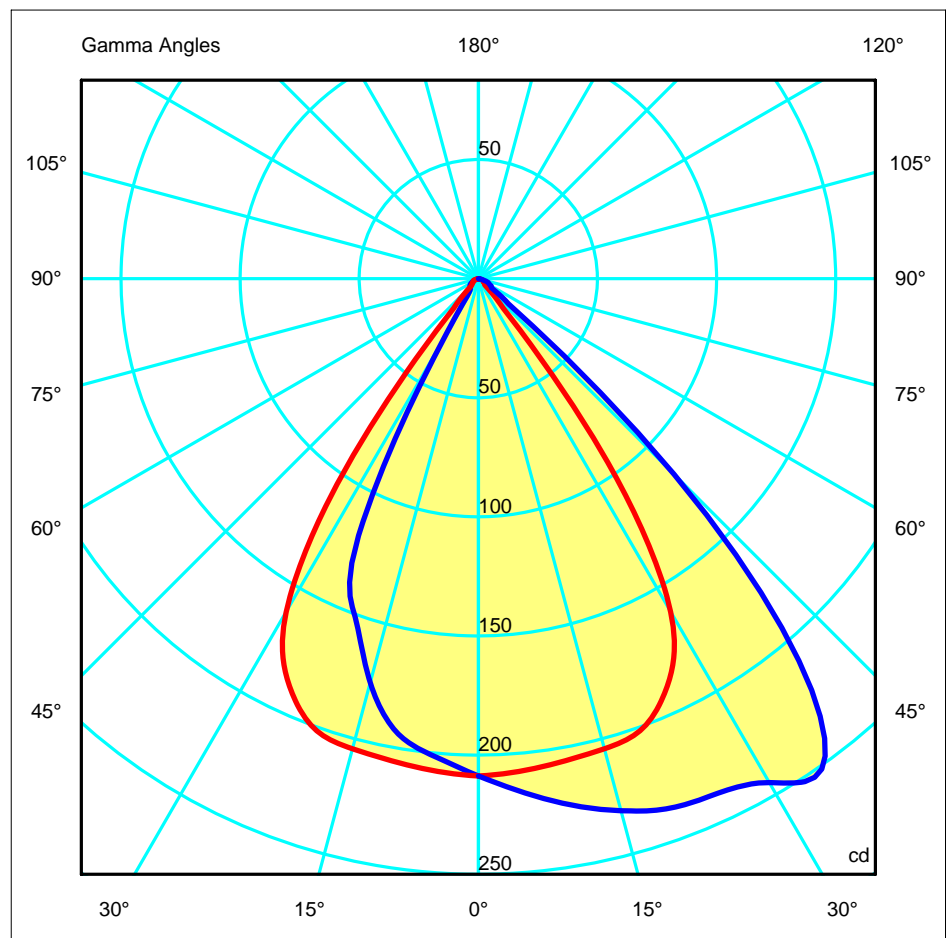
Luminaire		Measur.		Lamp			
Code	05-5078-21-21	Code	05-5078-21-21	Code	05-5078-21-21		
Name	Aplique EOS led 4.5W	Name	Aplique EOS led 4.5W	Number	1		
Line	- LEDS C4 LEDS	Date	17-09-2015	Position	Universal		
Luminaire Flux	262.49 lm	Luminaire Power	4.00 W	Efficacy	65.62 lm/W	Efficiency	100.00%
Lamps Flux	262.50 lm	Maximum value	251.28 cd	Position	C=90.00 G=35.00	CG Sym.	on planes 270-90
Rectangular Luminaire	Length	50 mm	Width	220 mm	Height	40 mm	
Rectangular Luminous Area	Length	34 mm	Width	34 mm	Height	0 mm	
Horizontal Luminous Area	0.001156 m2	Emitting area on Plane 180°		0.000000 m2			
Emitting area on Plane 0°	0.000000 m2	Emitting area on Plane 270°		0.000000 m2			
Emitting area on Plane 90°	0.000000 m2	Glare area at 76°		0.000280 m2			
Coordinate system	CG	Symmetry Type		Sym. on planes 270-90			
Date	17-09-2015	Maximum Gamma Angle		90			
Measurement Distance	6.44	Measurement Flux		262.50 lm			
Operator	Asselum T2	Source voltage		230.00 V			
Temperature	25.00 °C	Source current					
Humidity	42.00 %	Photocell		Prc			
Notes							

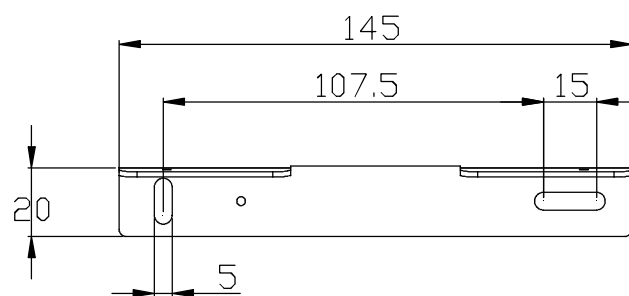
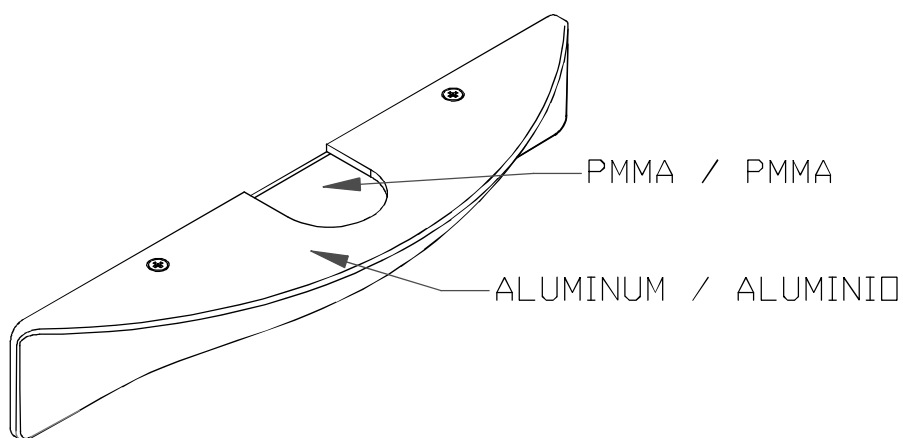
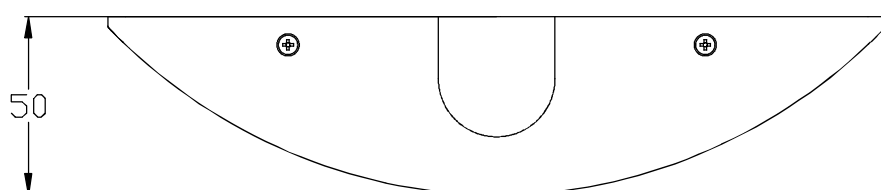
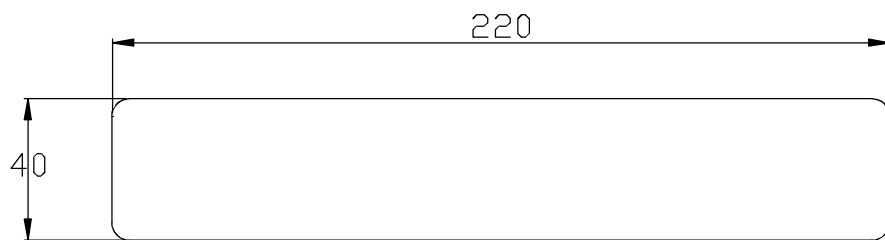
Line	Code	Luminaire Lamps	Flux [lm]	Pow. [W]	Q.ty
- LEDS C4 LEDS	05-5078-21-21	Name Lâmpara led 4.5W SAMSUNG	262.50	4.00	1
C.I.E.	90 98 100 100 100	D DIN 5040	A60		
F UTE	1.00 A	B NBN	BZ 1		

50mm x 220mm

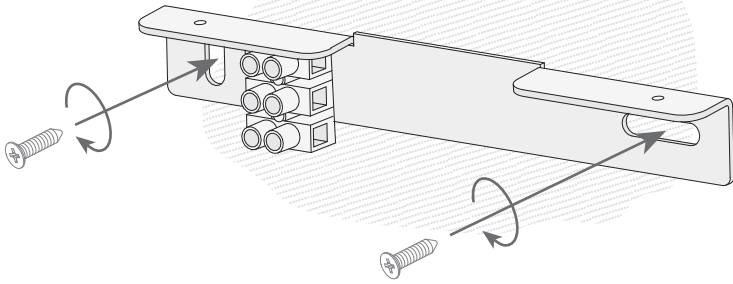


ULOR 0.00 %  
DLOR 100.00 %  
RN 0.00 %

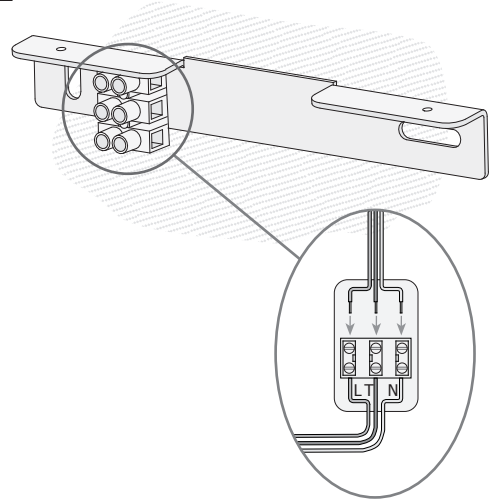




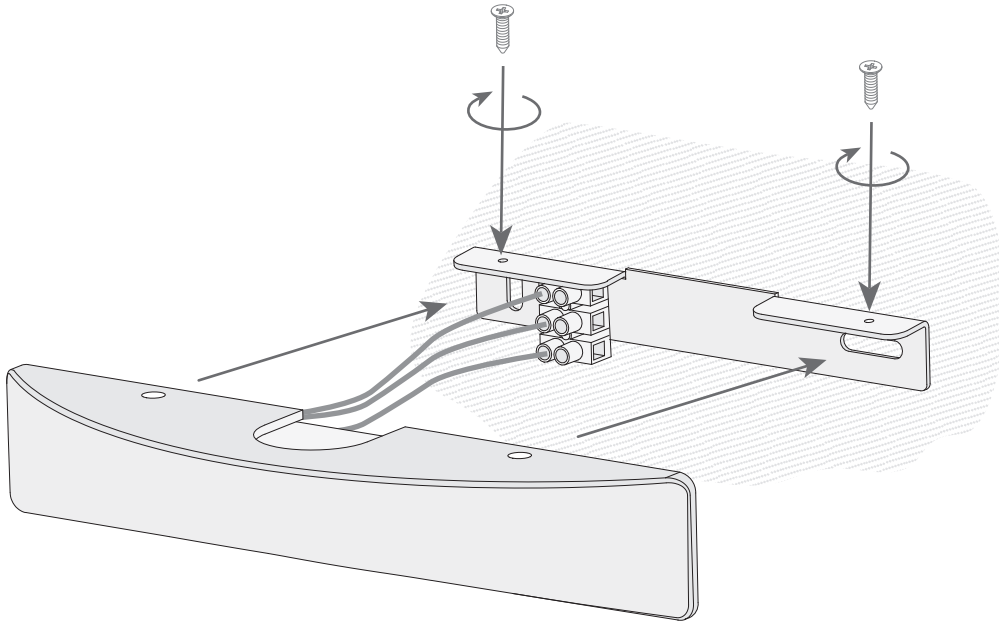
1



2



3



4

