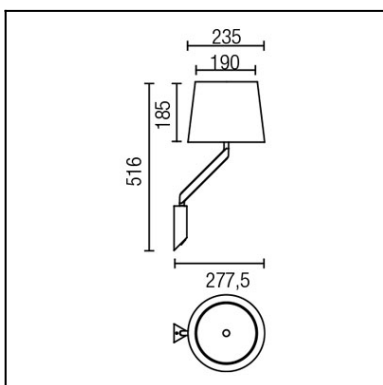
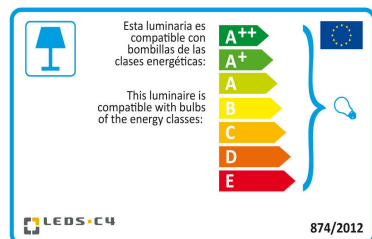




The photograph may not match the reference exactly. Please read the product description to identify the finish.



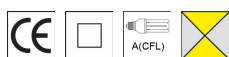
[Download photometric file .ldt / .ies](#)



[Click on image to download energy label](#)

TECHNICAL CHARACTERISTICS

Type:	Wall fixture
Adjustable:	Adjustable $\pm 45^\circ$ on the vertical axis
Light source 1:	1 x E27 Max 18W Maximum lamp length: 125.00 mm Maximum lamp diameter: 78.00 mm
Total power consumption (W):	18
Voltage / Frequency:	220-240V/50-60Hz
Units per box:	4
Net Weight (Kg):	1.16
EAN:	8435381433376



MATERIALS / FINISHES

Structure material:	Zamak	Diffuser material:	Fabric shade Methacrylate
Structure finish:	Chrome	Diffuser finish:	White Matt opal

