



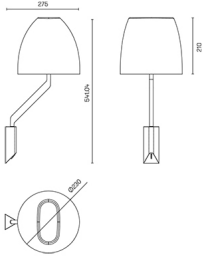
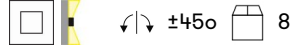
Designer: Benedito Design

Finish

Chrome
Opal
NA

Material

Aluminium
Methacrylate



TECHNICAL CHARACTERISTICS

Light source

Lampholder: 1 x E27
Output (W): MAX 18W
Total power consumption (W): 18
Lamp maximum dimension: 125/78 mm
Real Lumen: 708
Quantity: 1
Lm/Real W: 39
UGR: 6.6

Luminaire

Warranty: 5 Years

Logistics

Energy Efficiency: NO BULB
EAN Code: 8435381473112
Net Weight (Kg): 1.655
Weight in Kg (packaged): 2.981
Packing: 250 x 250 x 230
Masterbox: 8

The photograph may not match the reference exactly. Please read the product description to identify the finish.

Luminaire

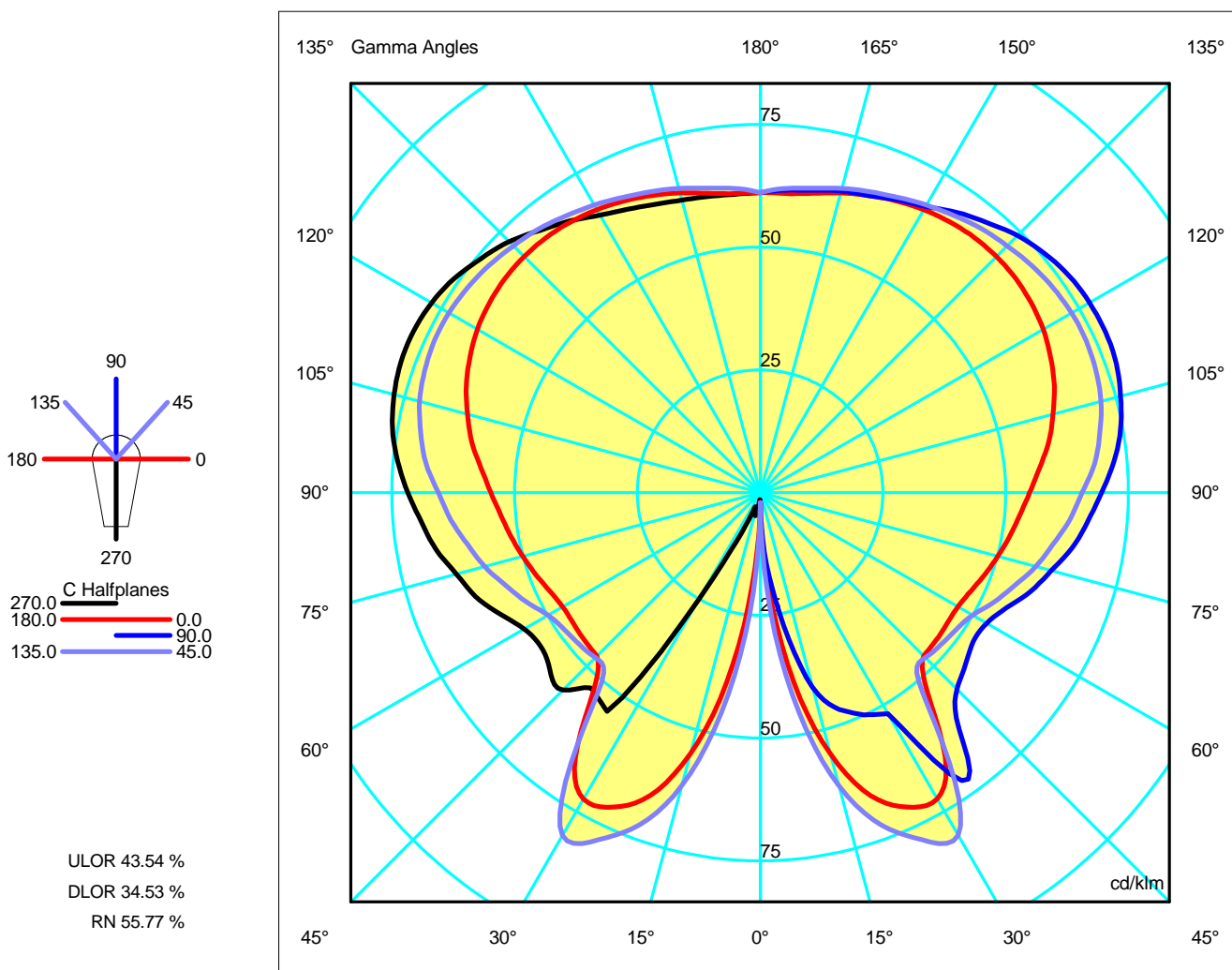
Code 05-3686-21-M1
 Name FLAVIA 1x MAX 18W E27

Measur.

Code 05-3686-21-M1
 Name FLAVIA 1x MAX 18W E27

Luminaire Flux	708.27 lm	Luminaire Power	13.89 W	Efficacy	50.99 lm/W	Efficiency	78.07%
Lamps Flux	907.17 lm	Maximum value	80.57 cd/klm	Position	C=45.00 G=30.00	CG Sym. on planes 270-90	
Round Luminaire Round Luminous Area		Diam.	230 mm	Height	210 mm		
		Diam.	230 mm	Height	210 mm		
Horizontal Luminous Area	0.041548 m2			Emitting area on Plane 180°	0.048300 m2		
Emitting area on Plane 0°	0.048300 m2			Emitting area on Plane 270°	0.048300 m2		
Emitting area on Plane 90°	0.048300 m2			Glare area at 76°	0.056917 m2		
Coordinate system	CG Roads			Symmetry Type	Sym. on planes 270-90		
Date	21-07-2017			Maximum Gamma Angle	180		
Measurement Distance	0.00			Measurement Flux	907.17 lm		
Operator	LEDS			Source Voltage [V]			
Temperature	25.00 °C			Source current [A]			
Humidity	60.00 %			Photocell			
Notes							

Line	Luminaire Lamps				
	Code	Name	Flux [lm]	Pow. [W]	Q.ty
	0024772	0024772	907.17	13.89	1
C.I.E.	25 48 72 44 78	D DIN 5040	C12		



Luminaire

Code 05-3686-21-M1
 Name FLAVIA 1x MAX 18W E27

Measur.

Code 05-3686-21-M1
 Name FLAVIA 1x MAX 18W E27

Luminaire Flux	708.27 lm	Luminaire Power	13.89 W	Efficacy	50.99 lm/W	Efficiency	78.07%
Lamps Flux	907.17 lm	Maximum value	80.57 cd/klm	Position	C=45.00 G=30.00	CG	Sym. on planes 270-90

Luminous Intensity Table cd/klm Table 1/1

	C 270.00	C 285.00	C 300.00	C 315.00	C 330.00	C 345.00	C 0.00	C 15.00	C 30.00	C 45.00	C 60.00	C 75.00	C 90.00
G 0.0	1.97	1.97	1.97	1.97	1.97	1.97	1.97	1.97	1.97	1.97	1.97	1.97	1.97
G 5.0	1.63	2.47	4.73	8.56	13.26	17.83	19.12	28.34	18.27	24.57	16.04	19.63	14.58
G 10.0	4.47	4.85	11.79	16.65	31.88	31.69	39.15	45.78	38.55	45.46	31.65	37.28	27.39
G 15.0	4.12	7.78	16.86	26.99	46.70	46.95	55.00	61.77	57.59	61.75	54.91	55.35	40.99
G 20.0	3.26	7.85	27.13	38.06	58.41	59.69	65.65	70.92	69.96	72.03	65.20	66.76	47.02
G 25.0	8.97	15.77	55.50	60.91	65.94	66.84	70.66	74.31	76.64	78.00	71.88	72.39	49.90
G 30.0	25.15	49.21	64.22	68.40	72.56	71.48	72.04	75.35	79.11	80.57	76.71	75.38	51.95
G 35.0	54.35	57.08	59.91	67.57	63.70	68.68	65.62	65.61	74.10	67.17	72.79	66.09	71.58
G 40.0	52.71	52.50	49.43	54.63	50.31	54.07	52.90	50.53	56.06	50.19	56.20	53.16	63.05
G 45.0	56.86	53.20	50.89	49.28	48.22	48.41	47.03	47.60	47.46	47.51	48.01	52.31	56.65
G 50.0	55.93	54.25	51.92	49.35	47.95	47.72	46.71	47.39	47.15	48.09	49.51	51.78	54.54
G 55.0	54.59	53.19	51.99	49.50	47.76	47.44	46.42	47.23	47.20	48.69	50.21	51.81	52.94
G 60.0	55.52	53.62	53.30	49.84	48.30	47.17	46.48	47.36	47.49	49.89	51.23	53.27	53.19
G 65.0	58.44	56.23	55.66	51.80	50.22	47.88	47.33	48.54	48.94	52.59	53.35	56.15	55.39
G 70.0	61.74	58.93	58.76	54.16	52.31	49.54	48.67	50.24	51.09	55.18	56.58	59.15	58.64
G 75.0	64.06	61.88	61.23	56.91	54.78	51.07	50.05	51.85	53.68	58.11	59.19	62.14	61.35
G 80.0	67.00	64.41	64.11	59.33	56.95	53.04	51.53	53.92	55.93	60.54	62.26	64.83	64.49
G 85.0	69.25	67.19	66.38	61.94	59.31	54.85	53.01	55.82	58.55	63.25	64.78	67.54	66.94
G 90.0	71.75	69.26	68.99	64.02	61.47	56.96	54.86	58.21	60.59	65.54	67.33	69.98	69.52
G 95.0	74.13	72.30	71.48	67.07	64.17	59.32	57.06	60.49	63.45	68.34	70.03	72.78	72.27
G100.0	76.06	74.21	73.59	69.09	65.95	61.73	59.66	62.85	65.45	70.22	72.37	74.62	74.50
G105.0	77.20	75.83	74.75	70.97	67.49	63.44	61.71	64.56	67.39	71.83	73.88	76.19	75.97
G110.0	77.86	76.64	75.55	71.99	68.43	65.12	63.73	66.33	68.60	72.72	75.08	76.98	77.15
G115.0	77.90	77.05	75.63	72.62	69.08	66.35	65.23	67.55	69.55	73.24	75.56	77.25	77.54
G120.0	77.30	76.86	75.15	72.70	69.37	67.58	66.53	68.67	70.06	73.22	75.55	77.00	77.41
G125.0	76.07	76.00	74.18	72.29	69.48	68.29	67.35	69.34	70.40	72.78	75.11	76.17	76.88
G130.0	74.23	74.68	72.67	71.60	69.37	68.78	67.88	69.72	70.46	72.07	74.06	74.92	75.68
G135.0	72.33	72.84	71.04	70.65	68.94	68.86	68.02	69.73	70.24	71.11	72.77	72.90	74.06
G140.0	69.78	70.67	69.10	69.68	68.32	68.57	67.85	69.38	69.72	70.17	70.97	70.96	71.82
G145.0	67.61	68.36	67.43	68.43	67.44	68.08	67.32	68.82	68.94	68.87	69.45	68.67	69.72
G150.0	65.29	66.28	65.58	67.24	66.38	67.31	66.57	67.81	67.97	67.67	67.70	66.88	67.34
G155.0	63.72	64.48	64.23	65.78	65.20	66.34	65.56	66.81	66.85	66.37	66.33	65.24	65.80
G160.0	62.54	63.12	63.05	64.60	63.91	65.13	64.43	65.53	65.67	65.27	64.94	64.17	64.42
G165.0	61.70	62.17	62.24	63.47	62.89	63.94	63.20	64.28	64.46	64.18	64.05	63.29	63.63
G170.0	61.28	61.51	61.60	62.59	61.95	62.78	61.94	62.91	63.18	62.98	62.93	62.28	62.55
G175.0	61.01	61.19	61.35	61.97	61.54	62.01	61.16	62.12	62.19	62.25	62.13	61.56	61.87
G180.0	61.16	61.16	61.16	61.16	61.16	61.16	61.16	61.16	61.16	61.16	61.16	61.16	61.16

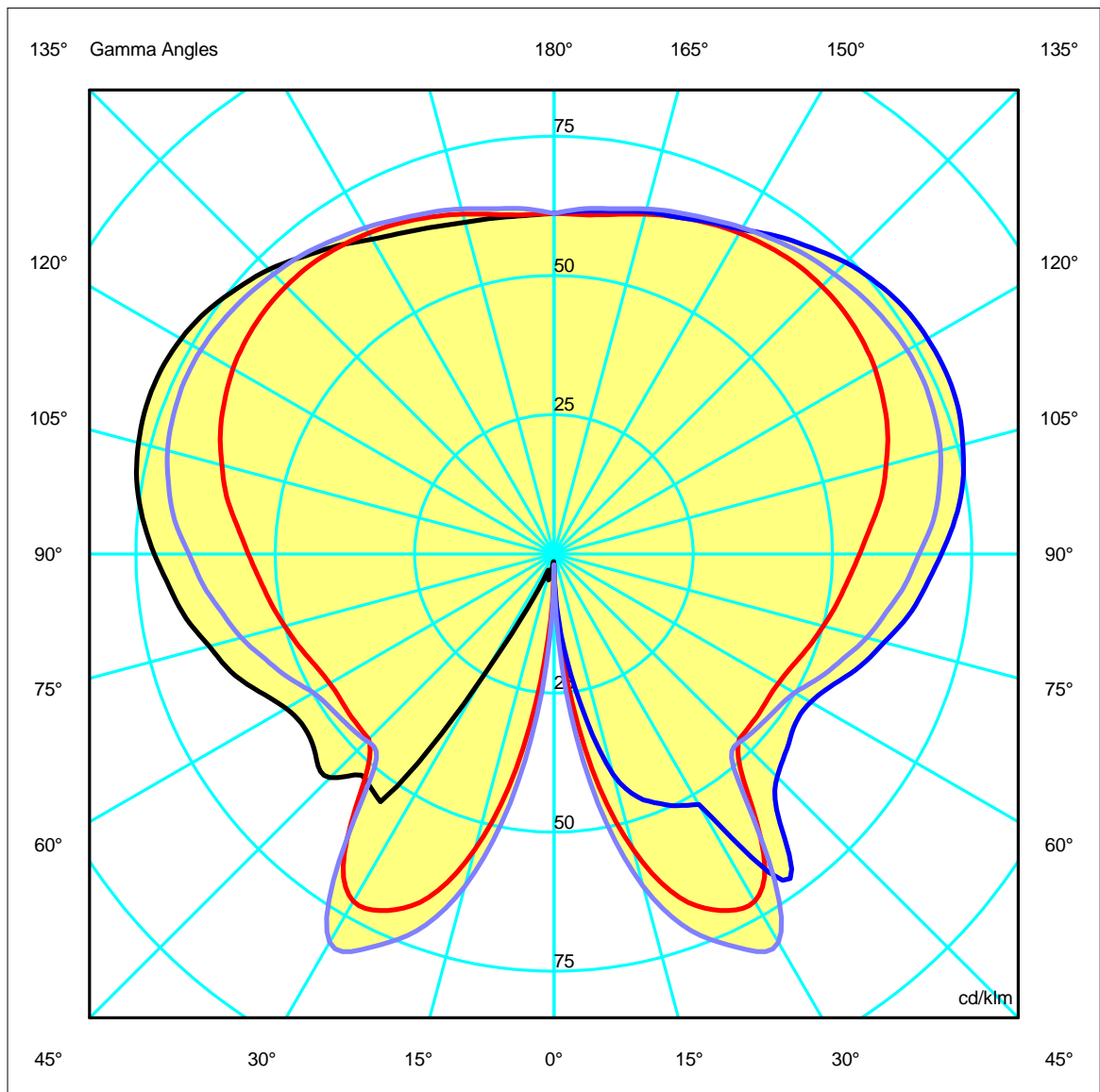
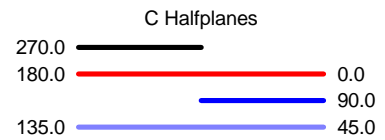
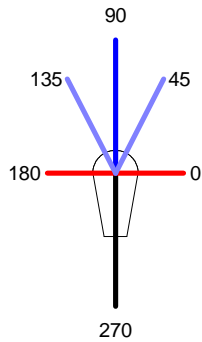
Luminaire

Code 05-3686-21-M1
 Name FLAVIA 1x MAX 18W E27

Measur.

Code 05-3686-21-M1
 Name FLAVIA 1x MAX 18W E27

Luminaire Flux	708.27 lm	Luminaire Power	13.89 W	Efficacy	50.99 lm/W	Efficiency	78.07%
Lamps Flux	907.17 lm	Maximum value	80.57 cd/klm	Position	C=45.00 G=30.00	CG Sym. on planes 270-90	



Luminaire

Code 05-3686-21-M1
Name FLAVIA 1x MAX 18W E27

Measurem.

Code 05-3686-21-M1
Name FLAVIA 1x MAX 18W E27

Luminaire Flux	708.27 lm	Luminaire Power	13.89 W	Efficacy	50.99 lm/W	Efficiency	78.07%
Lamps Flux	907.17 lm	Maximum value	80.57 cd/klm	Position	C=45.00 G=30.00	CG	Sym. on planes 270-90

Right beam angle not found, gamma = 29

Right beam angle not found, gamma = 29

Right beam angle not found, gamma = 29

LuminaireCode 05-3686-21-M1
Name FLAVIA 1x MAX 18W E27**Measurement**Code 05-3686-21-M1
Name FLAVIA 1x MAX 18W E27

Luminaire Flux	708.27 lm	Luminaire Power	13.89 W	Efficacy	50.99 lm/W	Efficiency	78.07%
Lamps Flux	907.17 lm	Maximum value	80.57 cd/klm	Position	C=45.00 G=30.00	CG	Sym. on planes 270-90

UGR
S = 0.250

Reflectancies										
Ceiling/Cavity	0.7	0.7	0.5	0.5	0.3	0.7	0.7	0.5	0.5	0.3
Walls	0.5	0.3	0.5	0.3	0.3	0.5	0.3	0.5	0.3	0.3
WorkingPlane	0.2	0.2	0.2	0.2	0.2	0.2	0.2	0.2	0.2	0.2
RoomDimensions	ViewedCrosswise					ViewedEndwise				
x=2H y=2H	6.6	7.5	7.5	8.4	10.5	7.3	8.2	8.3	9.2	10.5
x=2H y=3H	9.2	10.0	10.2	11.0	13.4	10.3	11.1	11.3	12.1	13.4
x=2H y=4H	10.7	11.4	11.6	12.4	14.9	11.9	12.6	12.9	13.6	14.9
x=2H y=6H	12.1	12.8	13.1	13.8	16.5	13.5	14.2	14.5	15.2	16.5
x=2H y=8H	12.8	13.5	13.8	14.5	17.3	14.3	15.0	15.3	16.0	17.3
x=2H y=12H	13.6	14.2	14.6	15.2	18.1	15.1	15.7	16.1	16.8	18.1
x=4H y=2H	7.7	8.4	8.6	9.4	11.2	8.2	9.0	9.2	10.0	11.2
x=4H y=3H	10.5	11.1	11.5	12.1	14.3	11.3	12.0	12.3	13.0	14.3
x=4H y=4H	12.0	12.6	13.0	13.6	16.0	13.1	13.6	14.1	14.7	16.0
x=4H y=6H	13.6	14.1	14.6	15.2	17.7	14.8	15.3	15.8	16.4	17.7
x=4H y=8H	14.4	14.9	15.5	15.9	18.6	15.7	16.2	16.8	17.2	18.6
x=4H y=12H	15.2	15.6	16.2	16.7	19.5	16.6	17.0	17.6	18.1	19.5
x=8H y=4H	12.8	13.3	13.9	14.3	16.6	13.6	14.1	14.7	15.2	16.6
x=8H y=6H	14.6	15.0	15.7	16.1	18.5	15.6	16.0	16.7	17.1	18.5
x=8H y=8H	15.6	15.9	16.6	17.0	19.5	16.7	17.0	17.7	18.1	19.5
x=8H y=12H	16.5	16.9	17.6	17.9	20.6	17.7	18.1	18.8	19.1	20.6
x=12H y=4H	13.0	13.4	14.1	14.5	16.6	13.7	14.2	14.8	15.2	16.6
x=12H y=6H	14.9	15.3	16.0	16.4	18.7	15.8	16.2	16.9	17.3	18.7
x=12H y=8H	16.0	16.3	17.1	17.4	19.8	17.0	17.3	18.0	18.4	19.8

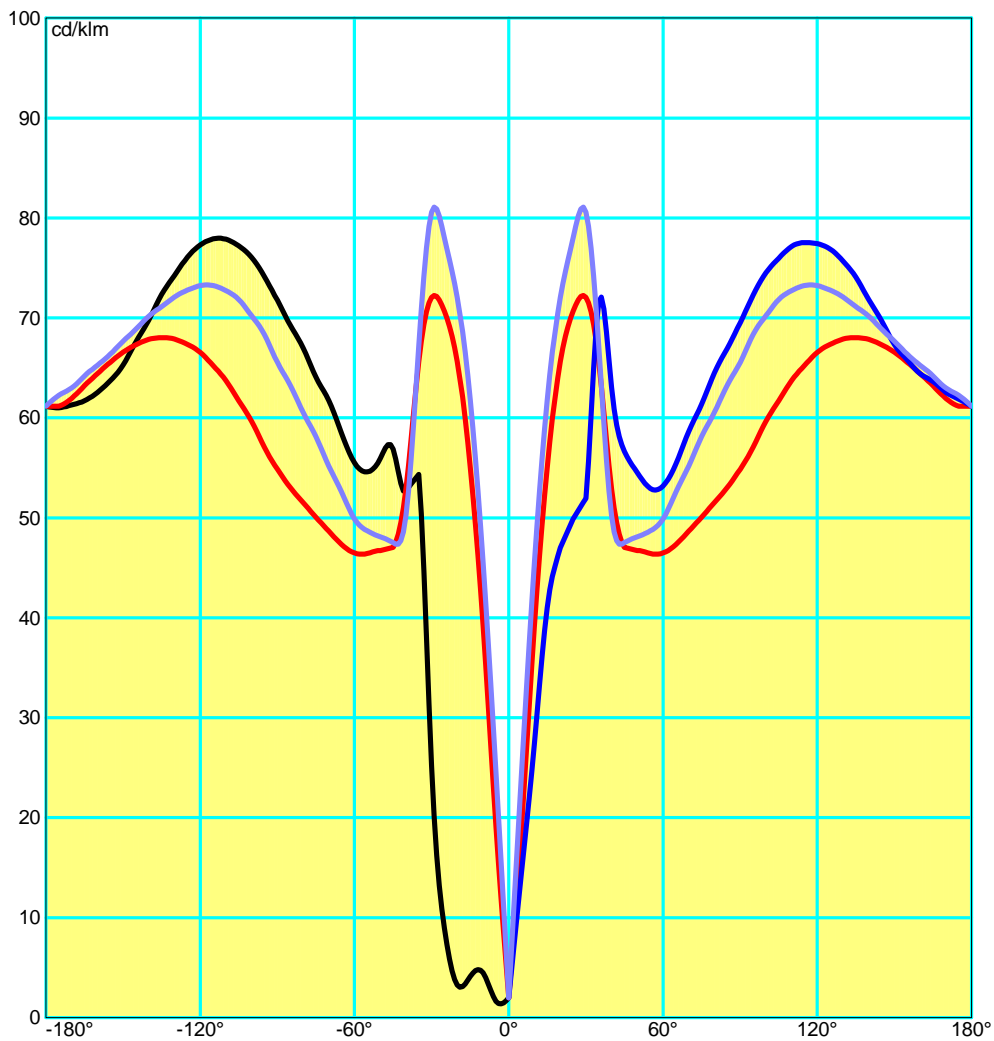
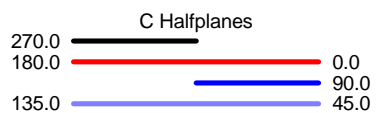
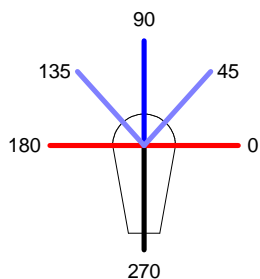
Luminaire

Code 05-3686-21-M1
 Name FLAVIA 1x MAX 18W E27

Measur.

Code 05-3686-21-M1
 Name FLAVIA 1x MAX 18W E27

Luminaire Flux	708.27 lm	Luminaire Power	13.89 W	Efficacy	50.99 lm/W	Efficiency	78.07%
Lamps Flux	907.17 lm	Maximum value	80.57 cd/klm	Position	C=45.00 G=30.00	CG	Sym. on planes 270-90



Luminaire

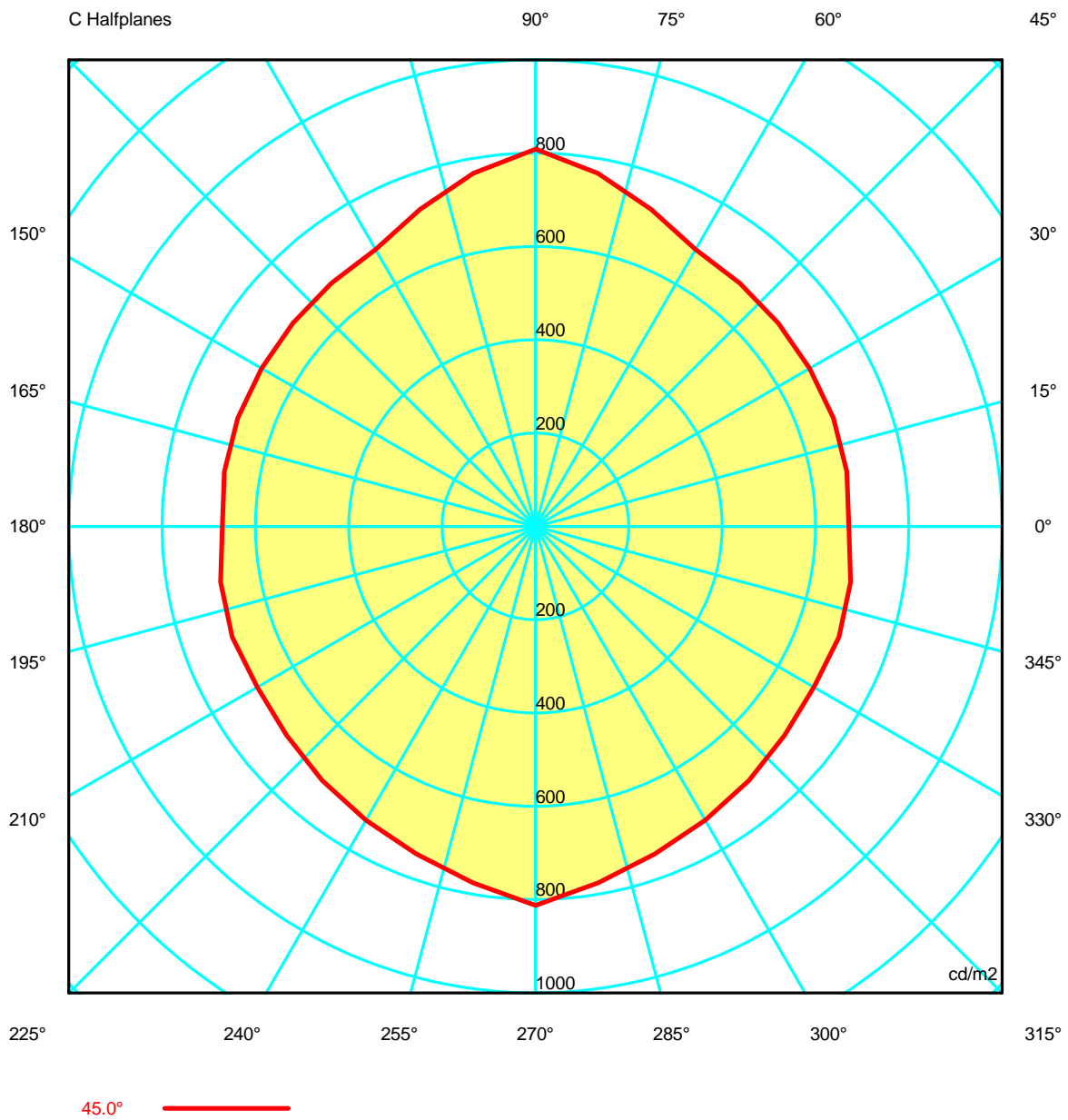
Code 05-3686-21-M1
Name FLAVIA 1x MAX 18W E27

Measur.

Code 05-3686-21-M1
Name FLAVIA 1x MAX 18W E27

Luminaire Flux	708.27 lm	Luminaire Power	13.89 W	Efficacy	50.99 lm/W	Efficiency	78.07%
Lamps Flux	907.17 lm	Maximum value	80.57 cd/klm	Position	C=45.00 G=30.00	CG	Sym. on planes 270-90

Luminance



LuminaireCode 05-3686-21-M1
Name FLAVIA 1x MAX 18W E27**Measurerm.**Code 05-3686-21-M1
Name FLAVIA 1x MAX 18W E27

Luminaire Flux	708.27 lm	Luminaire Power	13.89 W	Efficacy	50.99 lm/W	Efficiency	78.07%
Lamps Flux	907.17 lm	Maximum value	80.57 cd/klm	Position	C=45.00 G=30.00	CG	Sym. on planes 270-90

Luminance cd/m2 Table 1/3

	C 0.00	C 10.00	C 20.00	C 30.00	C 40.00	C 50.00	C 60.00	C 70.00	C 80.00	C 90.00	C 100.00	C 110.00	C 120.00
G 0.0	42.91	42.91	42.91	42.91	42.91	42.91	42.91	42.91	42.91	42.91	42.91	42.91	42.91
G 5.0	380.36	534.44	508.92	363.38	452.99	450.84	319.10	359.59	383.52	290.10	383.52	359.59	319.10
G 10.0	720.30	836.36	795.34	709.28	817.33	766.81	582.31	645.37	666.43	503.93	666.43	645.37	582.31
G 15.0	947.90	1051.16	1042.80	992.62	1049.82	1034.42	946.34	960.16	901.80	706.53	901.80	960.16	946.34
G 20.0	1071.82	1143.46	1154.02	1142.19	1164.81	1140.15	1064.59	1098.07	1021.90	767.63	1021.90	1098.07	1064.59
G 25.0	1103.92	1145.58	1172.52	1197.31	1226.22	1185.31	1123.01	1128.27	1053.01	779.63	1053.01	1128.27	1123.01
G 30.0	1086.87	1117.87	1156.00	1193.45	1219.54	1195.18	1157.32	1143.94	1054.01	783.71	1054.01	1143.94	1157.32
G 35.0	964.15	941.89	1013.74	1088.81	1014.88	1006.12	1069.54	1004.48	973.60	1051.78	973.60	1004.48	1069.54
G 40.0	763.21	725.10	759.11	808.90	745.12	744.34	810.87	778.18	790.93	909.67	790.93	778.18	810.87
G 45.0	671.53	676.93	678.99	677.72	678.35	680.75	685.58	723.37	768.96	808.84	768.96	723.37	685.58
G 50.0	665.19	671.50	674.56	671.44	678.67	690.82	705.02	725.32	750.05	776.66	750.05	725.32	705.02
G 55.0	664.30	671.82	676.17	675.42	688.09	704.38	718.48	734.08	747.48	757.51	747.48	734.08	718.48
G 60.0	673.52	682.63	686.92	688.19	710.97	730.57	742.34	763.42	775.02	770.84	775.02	763.42	742.34
G 65.0	699.99	713.40	719.90	723.80	761.34	783.87	789.08	818.12	833.16	819.30	833.16	818.12	789.08
G 70.0	740.76	757.56	767.09	777.72	820.25	850.05	861.21	889.01	903.25	892.56	903.25	889.01	861.21
G 75.0	790.95	809.46	826.33	848.22	897.85	926.83	935.33	968.32	984.95	969.49	984.95	968.32	935.33
G 80.0	853.35	878.67	902.40	926.19	978.94	1015.66	1031.00	1061.42	1077.37	1068.00	1077.37	1061.42	1031.00
G 85.0	929.53	959.95	993.41	1026.61	1084.79	1121.55	1135.92	1170.43	1187.63	1173.74	1187.63	1170.43	1135.92
G 90.0	1030.34	1070.40	1107.84	1137.92	1202.24	1246.82	1264.68	1300.18	1318.15	1305.66	1318.15	1300.18	1264.68

LuminaireCode 05-3686-21-M1
Name FLAVIA 1x MAX 18W E27**Measur.**Code 05-3686-21-M1
Name FLAVIA 1x MAX 18W E27

Luminaire Flux	708.27 lm	Luminaire Power	13.89 W	Efficacy	50.99 lm/W	Efficiency	78.07%
Lamps Flux	907.17 lm	Maximum value	80.57 cd/klm	Position	C=45.00 G=30.00	CG	Sym. on planes 270-90

Luminance cd/m2 Table 2/3

	C 130.00	C 140.00	C 150.00	C 160.00	C 170.00	C 180.00	C 190.00	C 200.00	C 210.00	C 220.00	C 230.00	C 240.00	C 250.00
G 0.0	42.91	42.91	42.91	42.91	42.91	42.91	42.91	42.91	42.91	42.91	42.91	42.91	42.91
G 5.0	450.84	452.99	363.38	508.92	534.44	380.36	363.27	336.78	263.85	198.56	142.87	94.05	60.22
G 10.0	766.81	817.33	709.28	795.34	836.36	720.30	604.69	593.60	586.66	400.14	257.17	216.87	128.93
G 15.0	1034.42	1049.82	992.62	1042.80	1051.16	947.90	833.15	807.78	804.87	585.42	385.16	290.61	182.04
G 20.0	1140.15	1164.81	1142.19	1154.02	1143.46	1071.82	991.03	967.66	953.69	733.60	552.62	442.95	226.17
G 25.0	1185.31	1226.22	1197.31	1172.52	1145.58	1103.92	1057.53	1042.13	1030.20	967.69	923.38	867.12	444.78
G 30.0	1195.18	1219.54	1193.45	1156.00	1117.87	1086.87	1074.84	1083.78	1094.71	1054.65	1016.34	968.89	838.42
G 35.0	1006.12	1014.88	1088.81	1013.74	941.89	964.15	994.21	984.28	936.02	980.60	969.24	880.28	845.03
G 40.0	744.34	745.12	808.90	759.11	725.10	763.21	787.73	757.30	725.86	774.40	770.38	713.22	736.59
G 45.0	680.75	678.35	677.72	678.99	676.93	671.53	685.17	691.99	688.50	696.59	710.95	726.63	746.59
G 50.0	690.82	678.67	671.44	674.56	671.50	665.19	674.29	681.49	682.83	693.40	714.00	739.28	762.58
G 55.0	704.38	688.09	675.42	676.17	671.82	664.30	673.42	681.00	683.47	697.30	720.99	744.01	756.39
G 60.0	730.57	710.97	688.19	686.92	682.63	673.52	677.89	689.32	699.84	710.89	739.58	772.32	775.45
G 65.0	783.87	761.34	723.80	719.90	713.40	699.99	700.77	719.61	742.72	755.23	785.16	823.27	830.39
G 70.0	850.05	820.25	777.72	767.09	757.56	740.76	743.94	768.43	796.25	810.87	848.21	894.40	896.14
G 75.0	926.83	897.85	848.22	826.33	809.46	790.95	794.48	826.32	865.63	885.62	922.08	967.64	976.68
G 80.0	1015.66	978.94	926.19	902.40	878.67	853.35	861.70	900.54	943.07	965.84	1009.55	1061.72	1065.04
G 85.0	1121.55	1084.79	1026.61	993.41	959.95	929.53	941.32	988.51	1039.90	1068.69	1112.44	1163.87	1176.04
G 90.0	1246.82	1202.24	1137.92	1107.84	1070.40	1030.34	1045.26	1100.03	1154.59	1182.78	1234.34	1295.68	1299.10

LuminaireCode 05-3686-21-M1
Name FLAVIA 1x MAX 18W E27**Measur.**Code 05-3686-21-M1
Name FLAVIA 1x MAX 18W E27

Luminaire Flux	708.27 lm	Luminaire Power	13.89 W	Efficacy	50.99 lm/W	Efficiency	78.07%
Lamps Flux	907.17 lm	Maximum value	80.57 cd/klm	Position	C=45.00 G=30.00	CG	Sym. on planes 270-90

Luminance cd/m2 Table 3/3

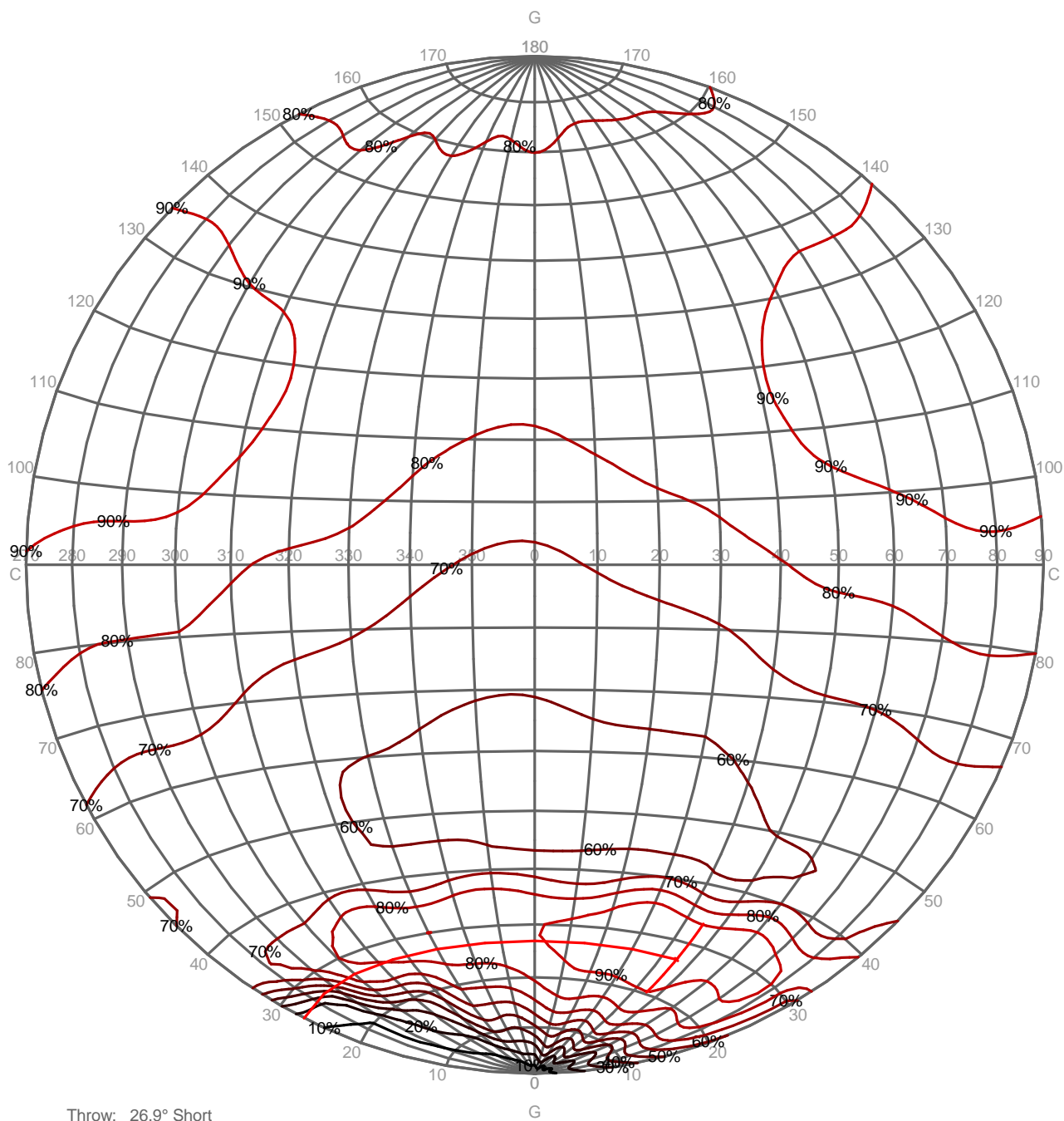
	C 260.00	C 270.00	C 280.00	C 290.00	C 300.00	C 310.00	C 320.00	C 330.00	C 340.00	C 350.00
G 0.0	42.91	42.91	42.91	42.91	42.91	42.91	42.91	42.91	42.91	42.91
G 5.0	41.58	32.44	41.58	60.22	94.05	142.87	198.56	263.85	336.78	363.27
G 10.0	86.92	82.28	86.92	128.93	216.87	257.17	400.14	586.66	593.60	604.69
G 15.0	102.38	71.00	102.38	182.04	290.61	385.16	585.42	804.87	807.78	833.15
G 20.0	103.16	53.15	103.16	226.17	442.95	552.62	733.60	953.69	967.66	991.03
G 25.0	210.94	140.11	210.94	444.78	867.12	923.38	967.69	1030.20	1042.13	1057.53
G 30.0	630.42	379.44	630.42	838.42	968.89	1016.34	1054.65	1094.71	1083.78	1074.84
G 35.0	828.68	798.59	828.68	845.03	880.28	969.24	980.60	936.02	984.28	994.21
G 40.0	758.52	760.51	758.52	736.29	713.22	770.38	774.40	725.86	757.30	787.73
G 45.0	775.44	811.87	775.44	746.59	726.63	710.95	696.59	688.50	691.99	685.17
G 50.0	781.30	796.42	781.30	762.58	739.28	714.00	693.40	682.83	681.49	674.29
G 55.0	767.04	781.12	767.04	756.39	744.01	720.99	697.30	683.47	681.00	673.42
G 60.0	782.53	804.54	782.53	775.45	772.32	739.58	710.89	699.84	689.32	677.89
G 65.0	838.59	864.42	838.59	830.39	823.27	785.16	755.23	742.72	719.61	700.77
G 70.0	905.16	939.78	905.16	896.14	894.40	848.21	810.87	796.25	768.43	743.94
G 75.0	985.13	1012.32	985.13	976.68	967.64	922.08	885.62	865.63	826.32	794.48
G 80.0	1074.90	1109.53	1074.90	1065.04	1061.72	1009.55	965.84	943.07	900.54	861.70
G 85.0	1186.00	1214.22	1186.00	1176.04	1163.87	1112.44	1068.69	1039.90	988.51	941.32
G 90.0	1309.54	1347.66	1309.54	1299.10	1295.68	1234.34	1182.78	1154.59	1100.03	1045.26

Luminaire
 Code 05-3686-21-M1
 Name FLAVIA 1x MAX 18W E27
Measurerm.
 Code 05-3686-21-M1
 Name FLAVIA 1x MAX 18W E27

Luminaire Flux	708.27 lm	Luminaire Power	13.89 W	Efficacy	50.99 lm/W	Efficiency	78.07%
Lamps Flux	907.17 lm	Maximum value	80.57 cd/klm	Position	C=45.00 G=30.00	CG	Sym. on planes 270-90

PERCENTAGE ISOCANDLES

Projection: Equal Area Tilting Angle:0°



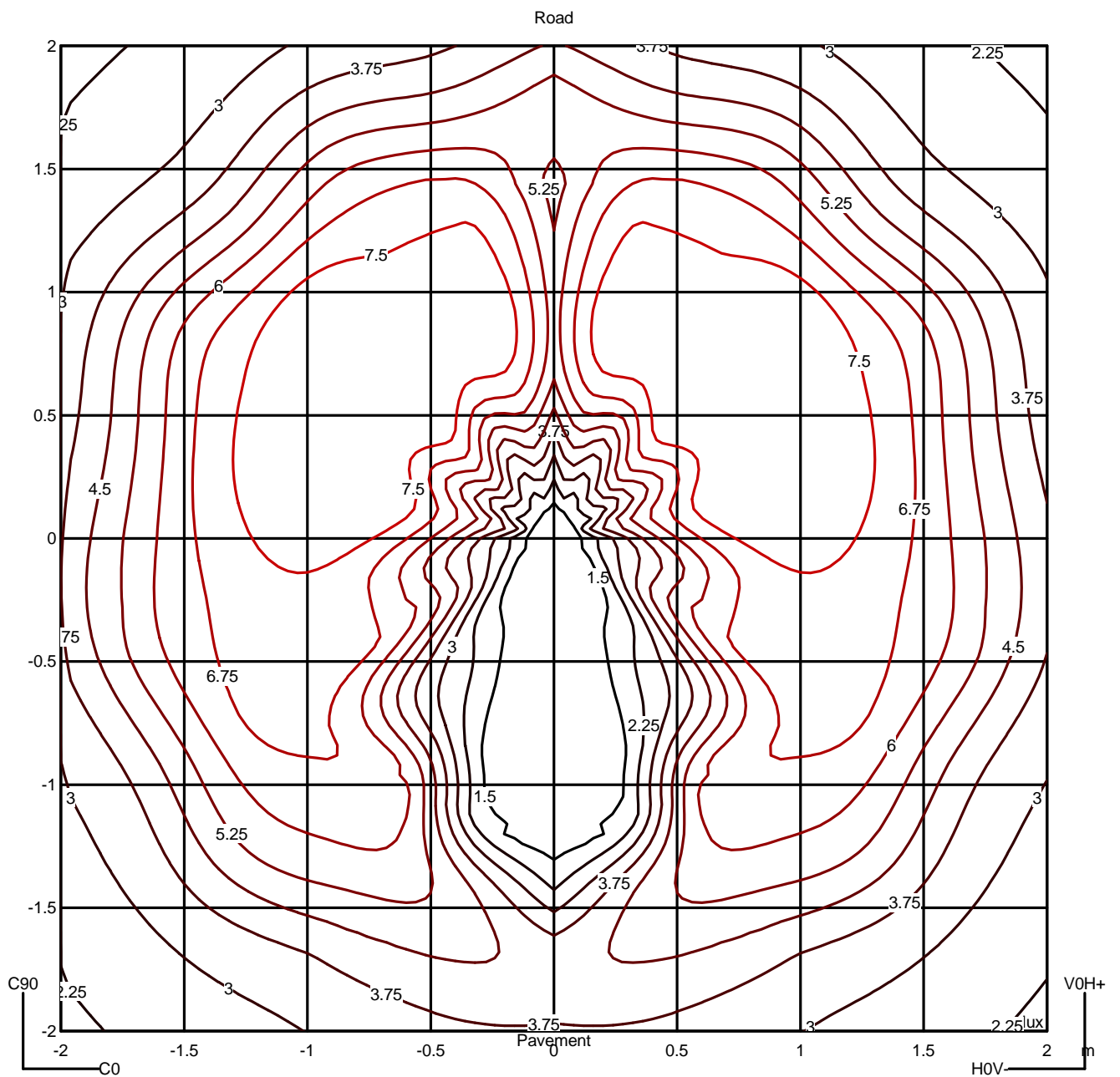
Throw: 26.9° Short

Luminaire
 Code 05-3686-21-M1
 Name FLAVIA 1x MAX 18W E27
Measurement
 Code 05-3686-21-M1
 Name FLAVIA 1x MAX 18W E27

Luminaire Flux	708.27 lm	Luminaire Power	13.89 W	Efficacy	50.99 lm/W	Efficiency	78.07%
Lamps Flux	907.17 lm	Maximum value	80.57 cd/klm	Position	C=45.00 G=30.00	CG	Sym. on planes 270-90

Isolux (Floor)

Luminaire position X=0.00m Y=0.00m Z=2.50m



Luminaire

Code 05-3686-21-M1
 Name FLAVIA 1x MAX 18W E27

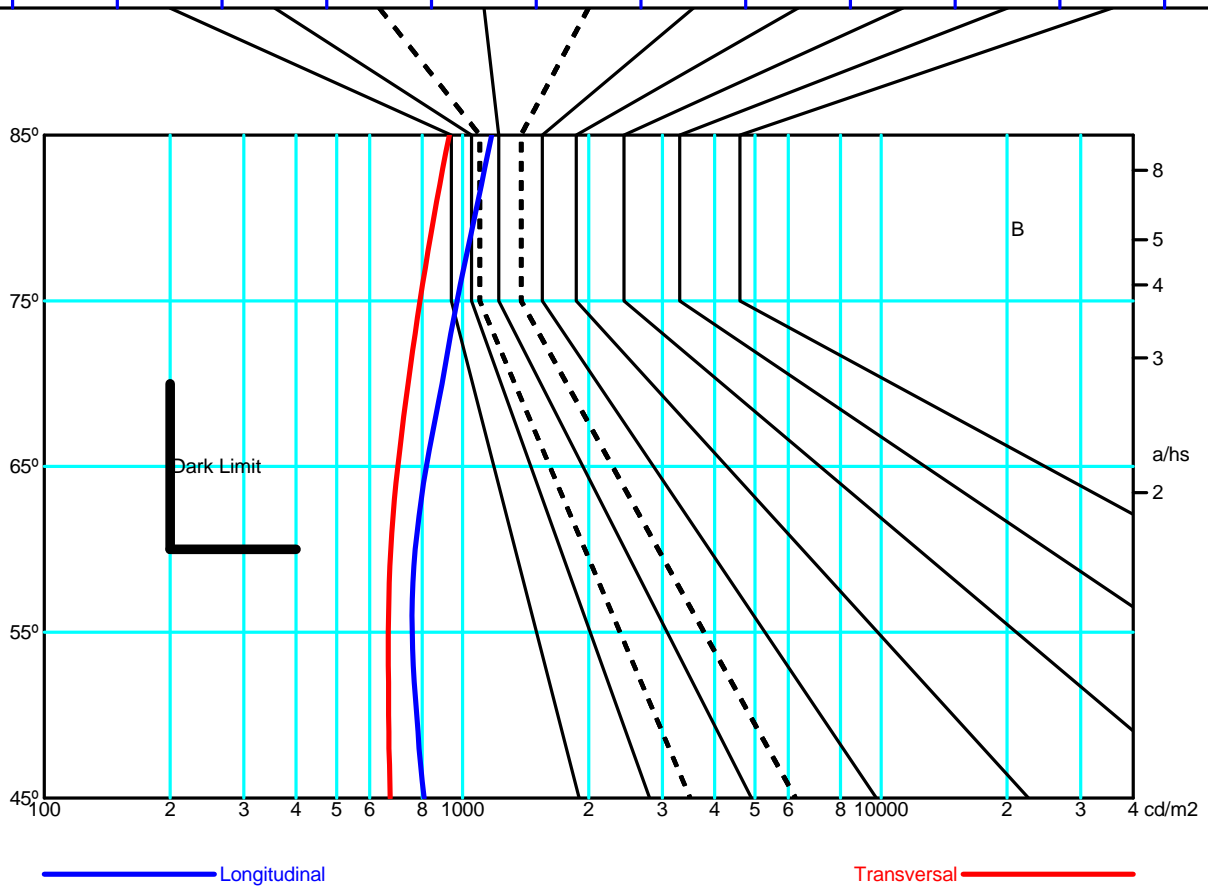
Measur.

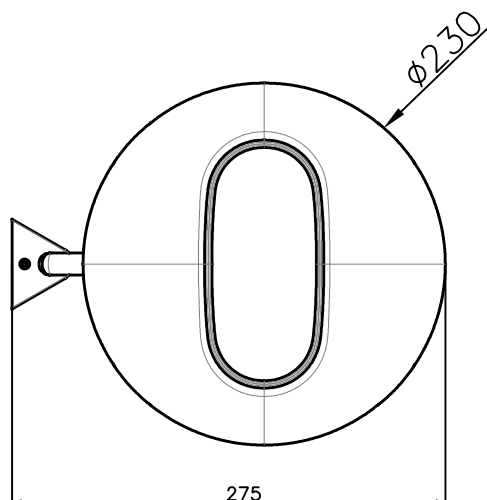
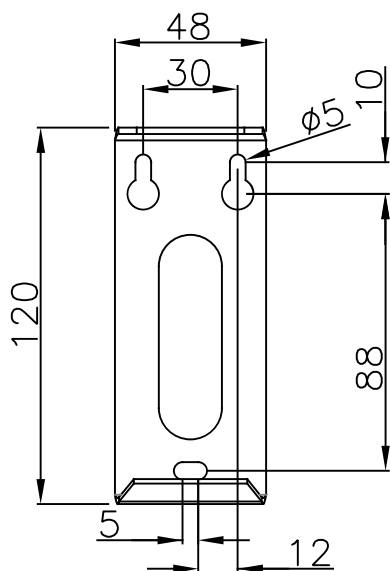
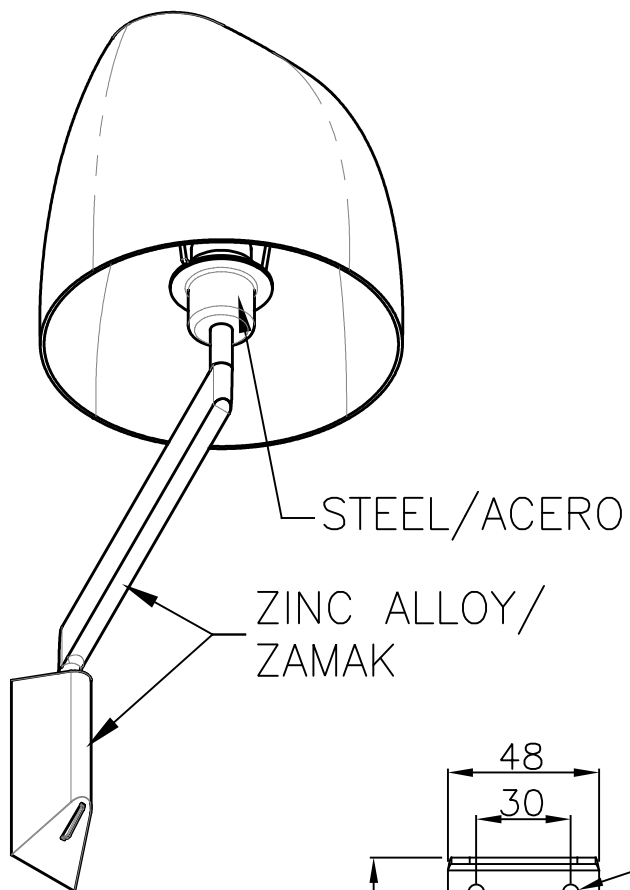
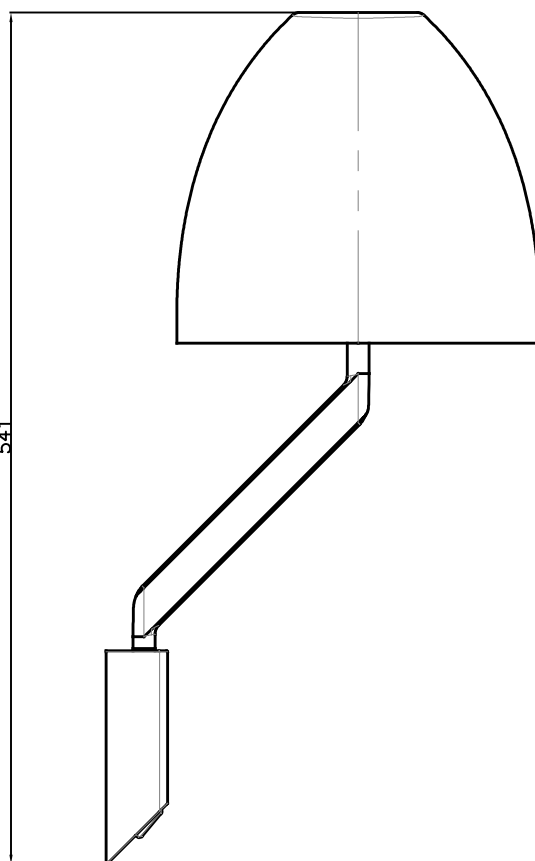
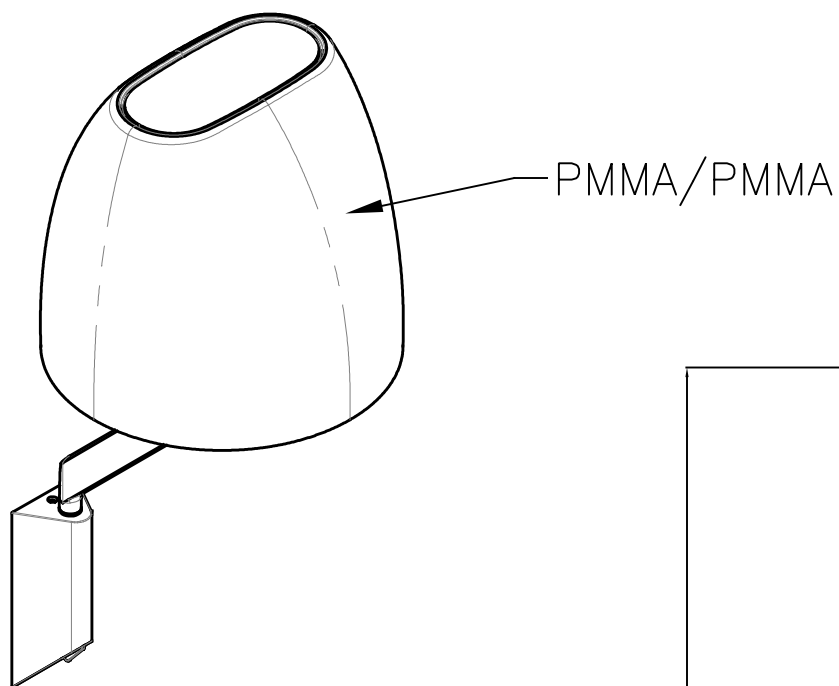
Code 05-3686-21-M1
 Name FLAVIA 1x MAX 18W E27

Luminaire Flux	708.27 lm	Luminaire Power	13.89 W	Efficacy	50.99 lm/W	Efficiency	78.07%
Lamps Flux	907.17 lm	Maximum value	80.57 cd/klm	Position	C=45.00 G=30.00	CG	Sym. on planes 270-90

		Average Luminance [cd/m ²]									
		45°	50°	55°	60°	65°	70°	75°	80°	85°	
0.0°	672	665	664	674	700	741	791	853	930	---	
90.0°	809	777	758	771	819	893	969	1068	1174	---	

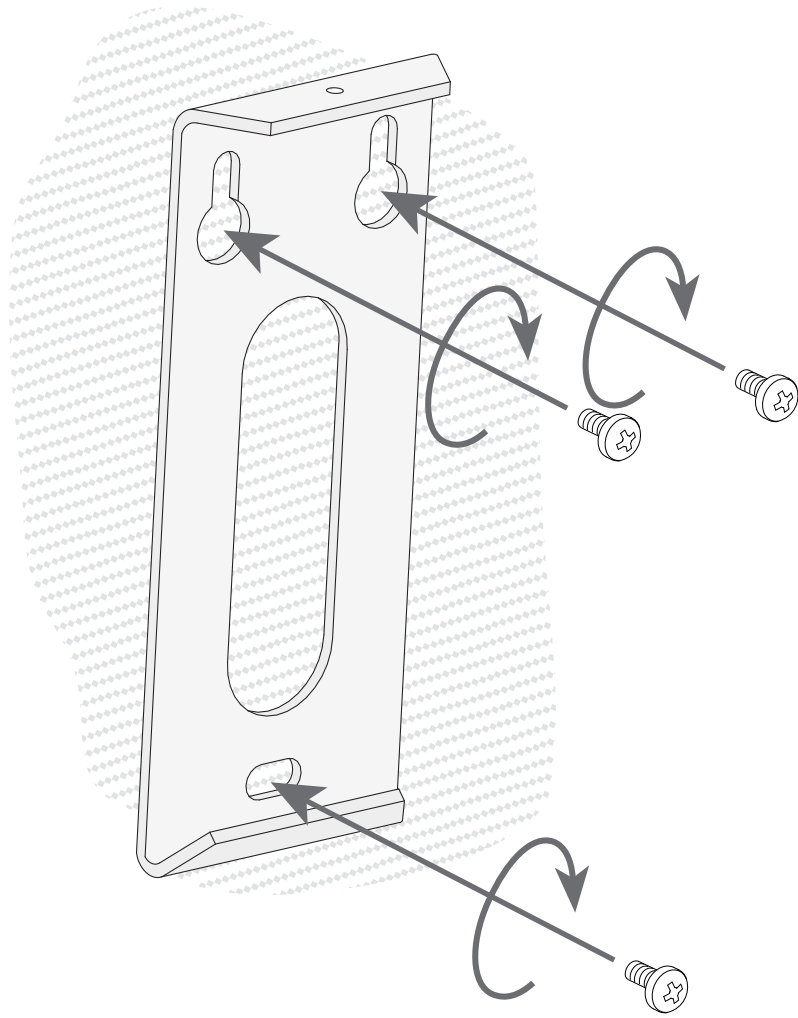
Flush mounted or transversal view												
		Illumination(Ix)										
A	A	2000	1000	750	500		<300				1.15	
B	1		2000	1500	1000	750	500	<300			1.5	
C					2000		1000	500	<300		1.85	
D	2						2000	1000	500	<300	2.2	
E	3							2000	1000	500	<300	2.55

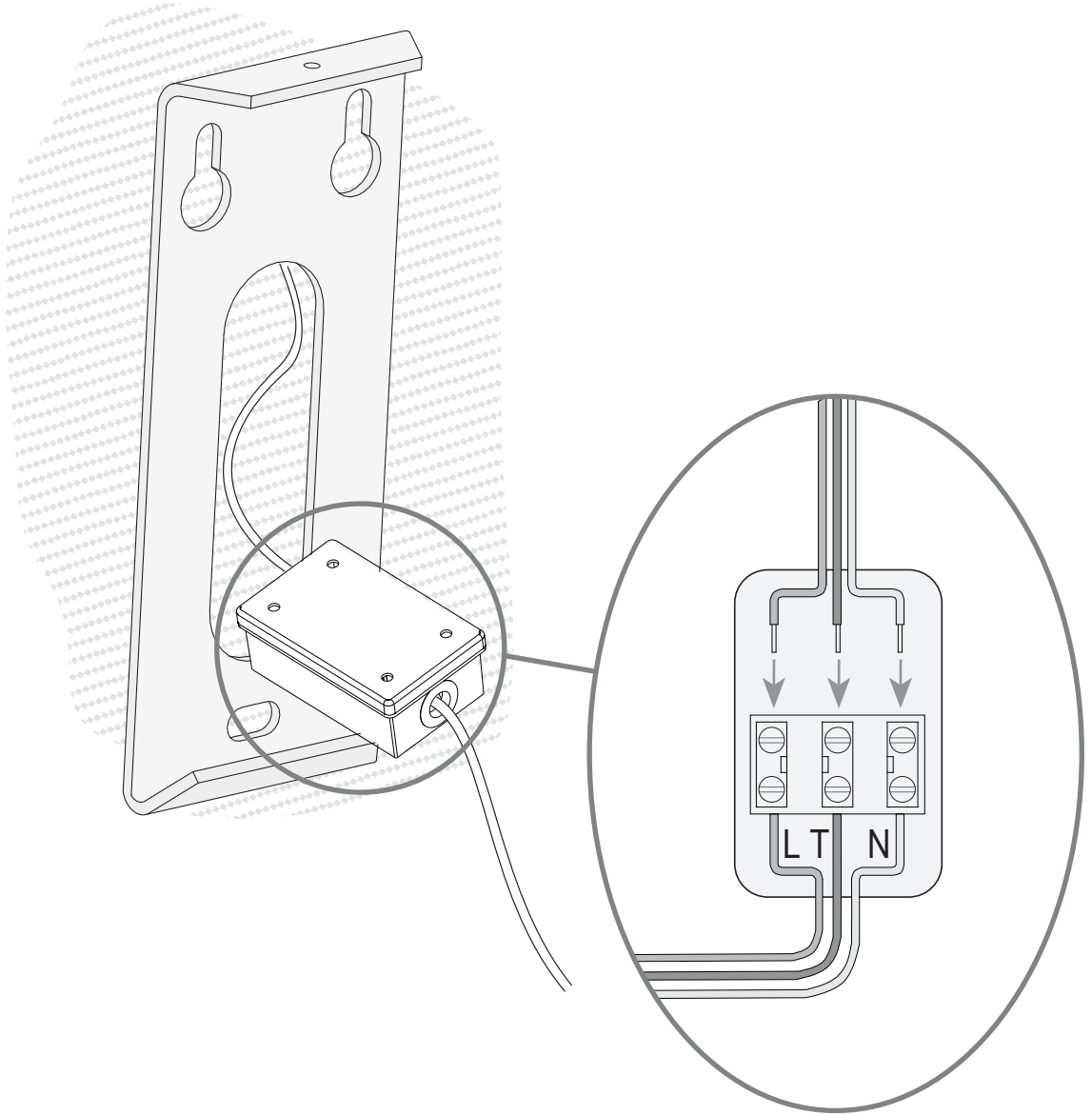




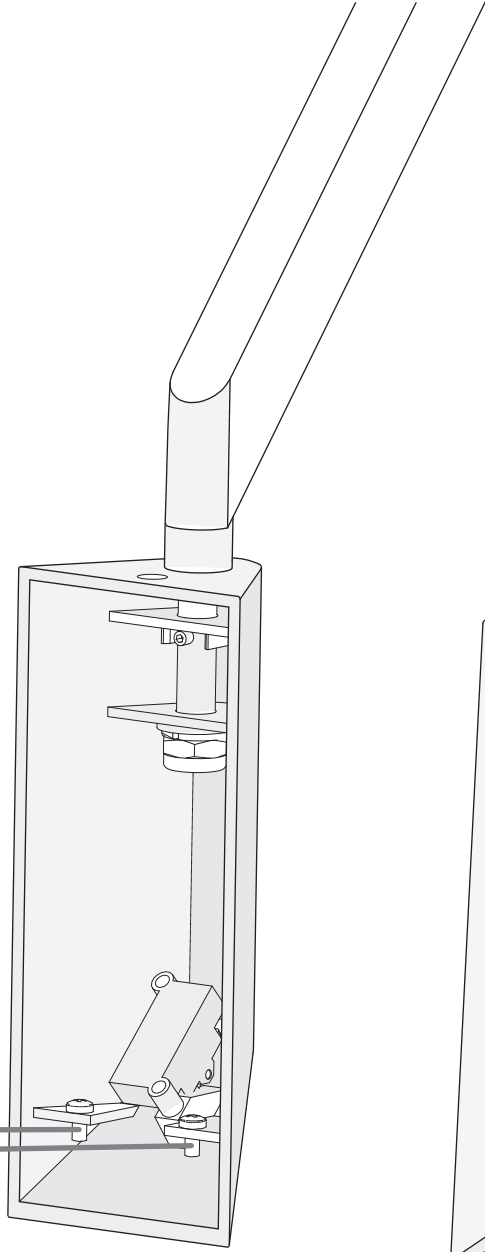
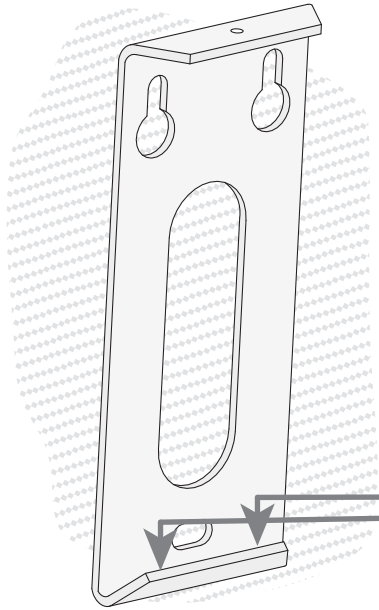
Grok

Light is life.

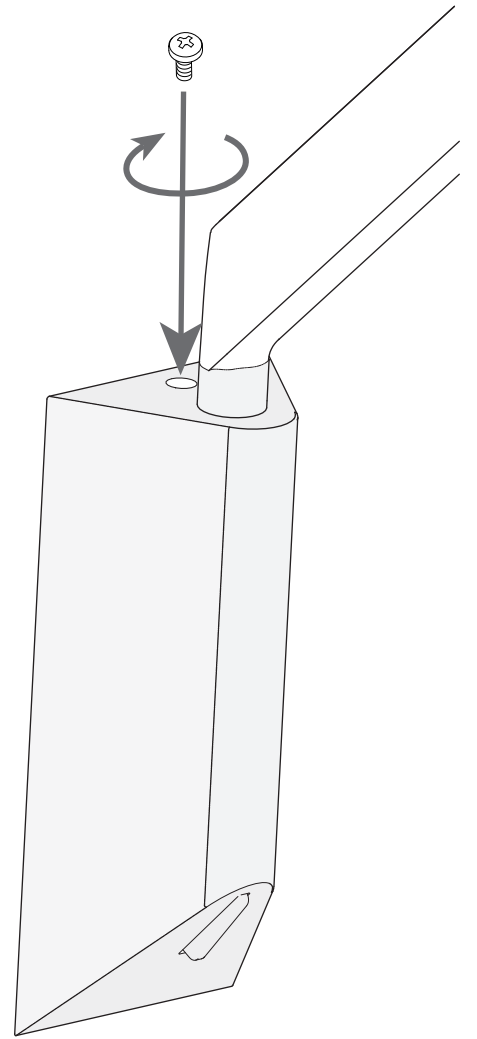


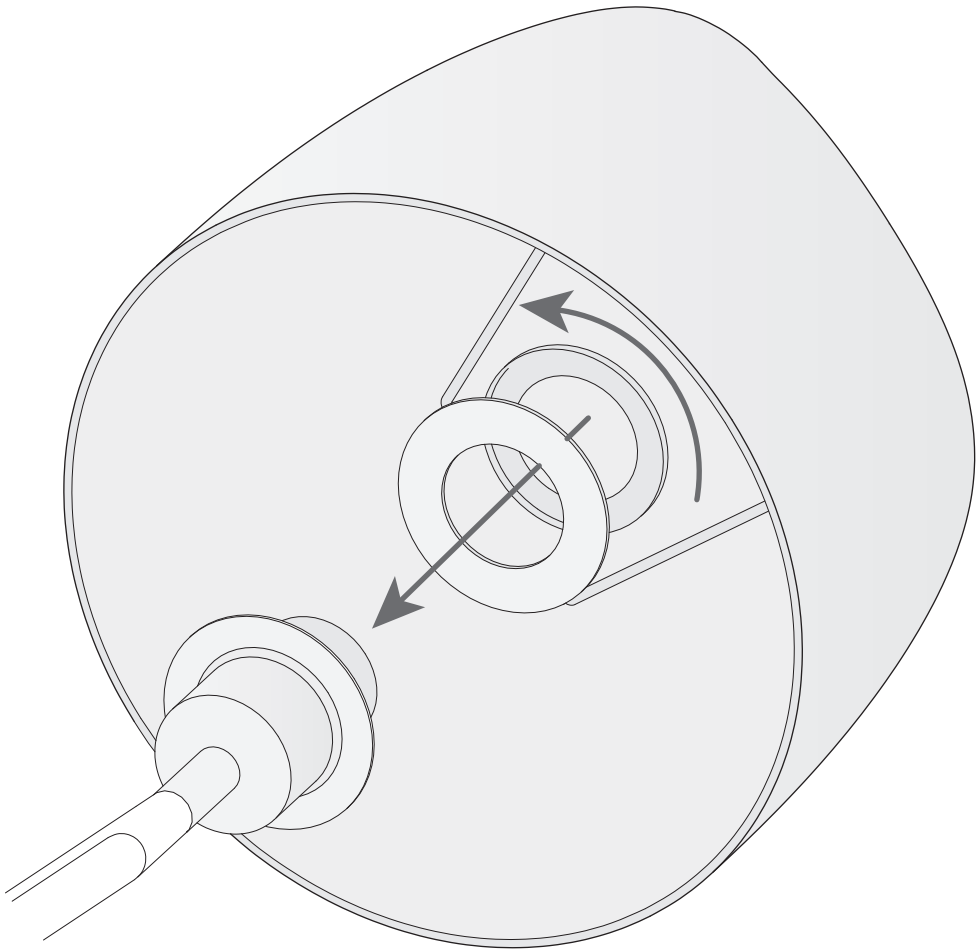


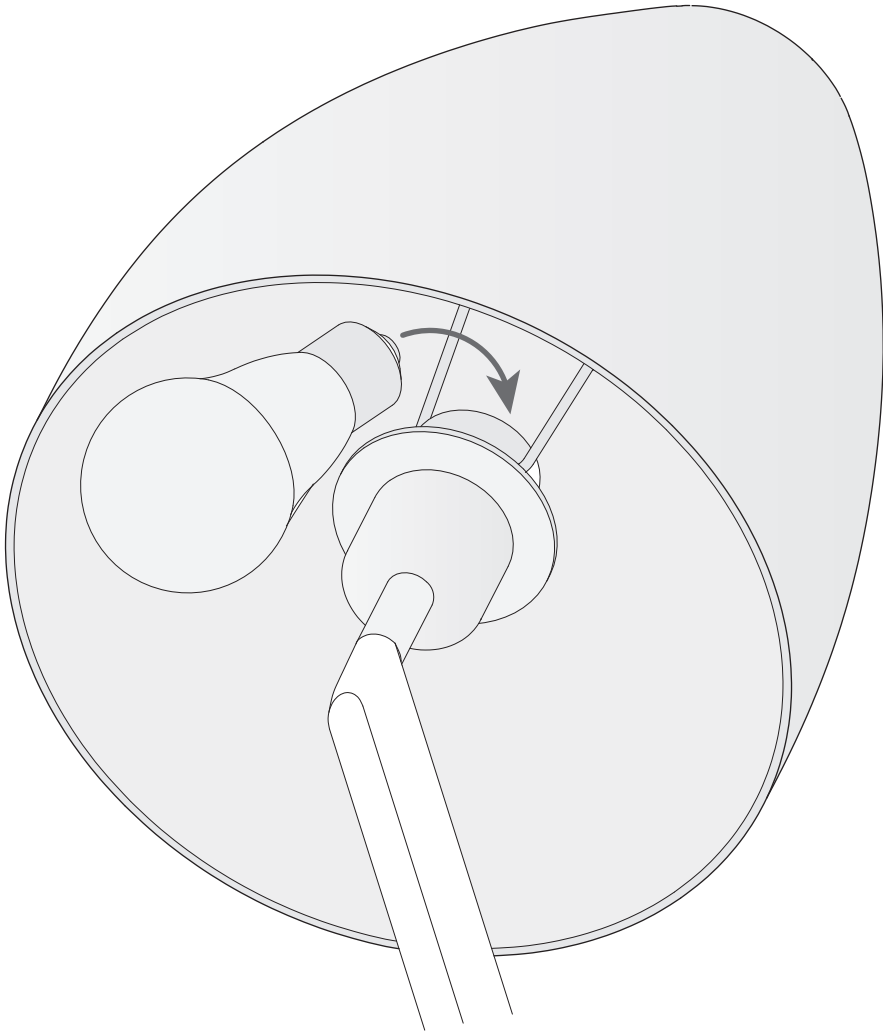
3A

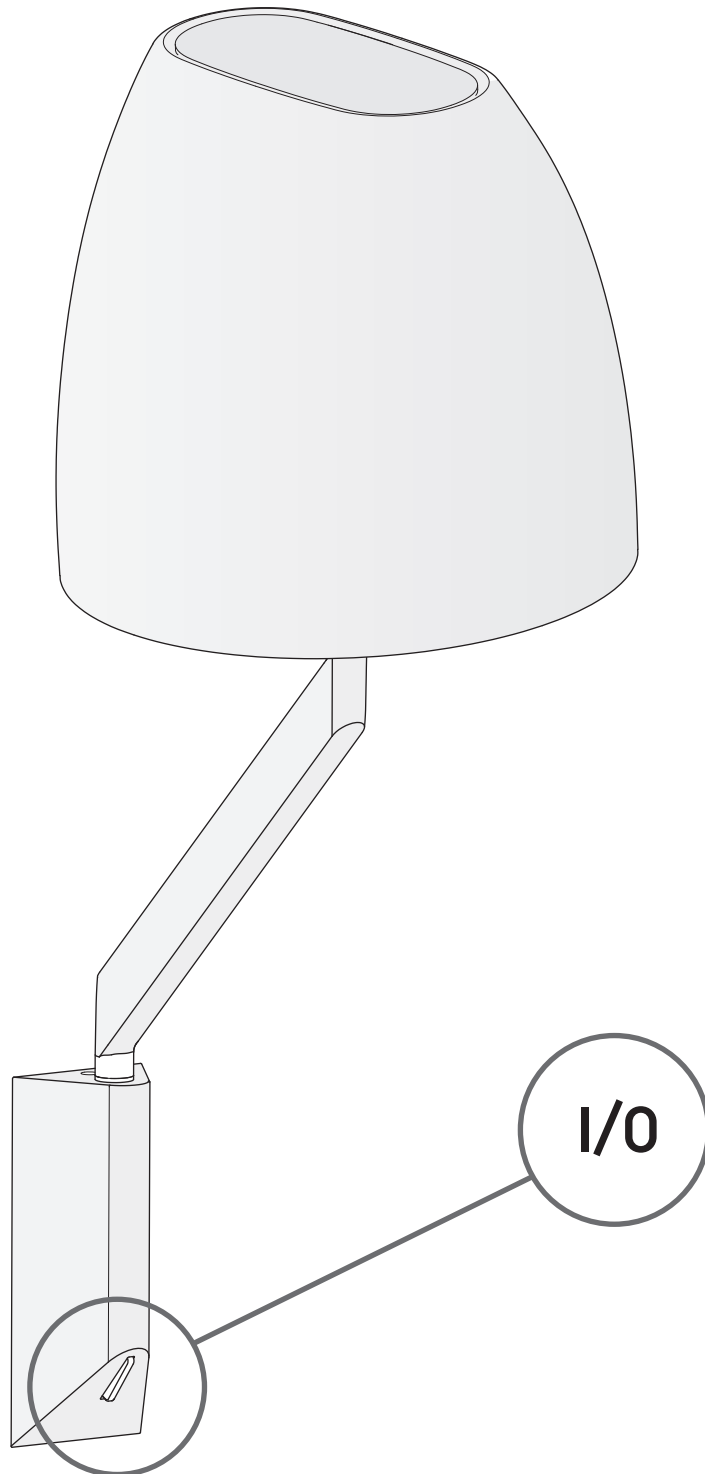


3B









(ES) Derechos de garantía

El fabricante **LEDS-C4, S.A.** garantiza al consumidor y usuario el correcto funcionamiento del producto y posibles reparaciones o suministro de recambios del modelo debidos a defectos de fabricación durante el periodo de **5 años*** desde la fecha de entrega, pero no puede responsabilizarse de daños y/o perjuicios causados por un mal empleo del mismo. Para cualquier reclamación, se deberá adjuntar a esta garantía el ticket de compra. La empresa se compromete a la reparación total gratuita de los vicios o defectos detectados en el producto. Asimismo, si la reparación no es satisfactoria y el objeto no alcanza las condiciones óptimas para cumplir el uso al que está destinado, el titular de la garantía tendrá derecho a la sustitución del objeto adquirido por otro de idénticas características, a la rebaja del precio o la resolución del contrato. ***Consultar condiciones de garantía en www.leds-c4.com.**

Composición: Acabados: baños y/o pinturas epoxi y compuestos de materiales nobles. Estructuras: latón, acero y materiales de fundición. Otros componentes: alabastro, cristal, pantallas de tela, madera y piel.

MANTENIMIENTO: Desconectar la tensión de la red de alimentación antes de llevar a cabo cualquier operación de mantenimiento. No utilizar bombillas de distinto tipo ni de potencia superior a la indicada en la etiqueta de la luminaria. Durante las operaciones de limpieza, y para asegurar una mejor conservación, utilizar un paño suave y seco. El uso de productos abrasivos o de disolventes puede deteriorar el acabado de la luminaria.

IMPORTANTE: 1- La conexión eléctrica debe realizarla un técnico electricista. La manipulación interna o externa de la luminaria puede comprometer su seguridad. LEDS-C4, S.A. no se hará responsable de ninguna manipulación hecha por el usuario. 2- Si el cable o cordón de esta luminaria está dañado, deberá sustituirse exclusivamente por el fabricante o su servicio técnico, o por una persona con calificación equivalente, con objeto de evitar cualquier posible riesgo. 3- No monte la luminaria sobre superficies húmedas, recién pintadas o que presenten conductividad eléctrica. 4- Todas las luminarias sin protección especial contra la penetración de polvo o de humedad (sin marca IP) son aptas para uso en interior, excepto en baños. 5- Utilice sistemas de sujeción acordes con el peso del aparato. 6- Aleje siempre las conexiones y los cables de los puntos de calor de la luminaria. 7- Asegúrese de que los conductores de la instalación no resulten deteriorados por los tornillos de sujeción. 8- Bajo ninguna circunstancia la luminaria debe ser cubierta. 9- Las lámparas se calientan mucho durante su funcionamiento. Tóquelas sólo cuando se hayan enfriado, pasados 15 minutos. 10- No colgar ni apoyar elementos sobre las luminarias.

SÍMBOLOS:



Luminaria no adecuada para cubrirse con material aislante térmico.



Luminaria superficial no adecuada para montaje en superficies normalmente inflamables.



Luminaria empotrada no adecuada para montaje en normalmente superficies inflamables.



Todas las luminarias marcadas con este símbolo son de Clase I. El conductor de toma de tierra debe conectarse al borne marcado con el símbolo de toma de tierra.



Todas las luminarias marcadas con este símbolo son de Clase II. Ninguna parte metálica de las luminarias de Clase II se conectará al conductor de toma de tierra de la instalación de la vivienda.



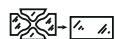
Todas las luminarias marcadas con este símbolo son de Clase III, lo cual significa que funcionan a muy baja tensión. Ninguna parte metálica de las luminarias de Clase III se conectará al conductor de toma de tierra de la instalación de la vivienda.



Este símbolo indica la distancia mínima entre el foco de la luminaria y el objeto iluminado.



Todas las luminarias marcadas con este símbolo están diseñadas para usar únicamente lámparas halógenas de wolframio o lámparas de halógenos metálicos con pantalla de protección propia.



Todas las luminarias marcadas con este símbolo deben equiparse con la pantalla de protección suministrada con la luminaria. Sustituir cualquier protector roto o defectuoso.



Precaución, riesgo de choque eléctrico.



No mirar fijamente a la fuente de luz en funcionamiento.



El símbolo de la papelera tachada en el aparato o en el embalaje, indica que el producto al final de su vida deberá eliminarse por separado de los demás desechos.

(EN) Warranty rights

LEDS-C4, S.A. guarantees to the consumer and the user of this product its correct operation and covers any possible repairs or the supply of parts for this product due to manufacturing defects for **5 years*** from the date of delivery. LEDS-C4, S.A. does not accept liability for any damages arising from incorrect use of this product. Please note that, in order to make a claim, you will be required to present this guarantee certificate together with proof of purchase. LEDS-C4, S.A. will completely repair the defects in the product free of charge. Also, if the product was not repaired to a satisfactory standard or if it was not fit for purpose, the holder of the guarantee will be entitled to the replacement of the purchased product for another one of the same features, to a price reduction or to the termination of the contract. ***Check warranty conditions at www.leds-c4.com.**

Composition: Finishes: plating and/or Epoxy paints and compounds of noble materials. Structure: brass, steel and cast iron. Other components: alabaster, crystal, fabric shades, wood and leather.

MAINTENANCE: Disconnect the mains voltage before starting any maintenance work. Do not use bulbs with a higher wattage than stated on the label of the luminaire. When cleaning, use a dry soft cloth to avoid damage. The use of abrasive products or solvents may harm the finish of the luminaire.

IMPORTANT: 1- The electrical connection of the luminaire should be performed by a qualified electrician. The internal or external manipulation of the luminaire may reduce its safety. LEDS-C4, S.A. cannot be held liable for any manipulation carried out by the user. 2- Should the luminaire cable or lead be damaged, it should be replaced only by the manufacturer or their technical service department, or someone equally qualified, in order to avoid any risk. 3- Do not install the luminaire on surfaces that are moist, freshly painted or electrically conductive. 4- All luminaires without special protection against dust or moisture (no IP rating) may be used indoors, except in bathrooms. 5- Use fastening systems appropriate to the weight of the appliance. 6- Make sure the connections and cables do not come into contact with the hot parts of the luminaire. 7- Make sure the installation conductors are not damaged by the fastening screws. 8- Under no circumstances should the luminaire be covered. 9- The lamps become very hot during operation. Let them cool down for 15 minutes after switch-off before handling them. 10- Do not lean or hang any objects from the luminaire.

SYMBOLS:



Luminaires not suitable for covering with thermally insulating material.



Surface luminaire not suitable for direct mounting on normally flammable surfaces.



Recessed luminaire not suitable for direct mounting on normally flammable surfaces.



All the luminaires bearing this symbol belong to Class I. The earth wire must be connected to the terminal marked with the Earth symbol.



All luminaires bearing this symbol are Class II. No metal part of Class II luminaires shall be connected to the earth connection of the home installation.



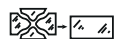
All luminaires bearing this symbol are Class III, which means that they operate at very low voltage. No metal part of Class III luminaires shall be connected to the earth connection of the home installation.



This symbol indicates the minimum distance to be left between the lamp of the luminaire and the object illuminated.



All luminaires bearing this symbol should be installed only with halogen wolfram lamps or metal halide lamps with their own enclosure.



All luminaires bearing this symbol should be installed with their protective enclosure. Replace any enclosure that is broken or faulty.



Caution, risk of electric shock.



Do not stare at the light source when in operation.



The crossed bin symbol on the device or on the packaging means that, at the end of its life, the product will need to be disposed of separately from the rest of residues.

(FR) Drots de garantie

Le fabricant **LEDS-C4, S.A.** garantit au consommateur et à l'utilisateur le fonctionnement correct du produit, ainsi que d'éventuelles réparations ou livraisons de pièces de rechange du modèle en cas de défauts de fabrication, pendant la période de **5 ans*** à compter de la date de livraison. Il ne peut toutefois être tenu responsable des dommages et/ou préjudices occasionnés par une mauvaise utilisation du produit. Pour toute réclamation, il convient de joindre le ticket d'achat à la présente garantie. L'entreprise s'engage à réparer totalement et gratuitement les vices ou défauts détectés sur le produit. De même, si la réparation ne s'avère pas satisfaisante ou que l'objet ne remplit pas les conditions optimales nécessaires pour assurer l'utilisation à laquelle il est destiné, le titulaire de la garantie a droit au remplacement de l'objet acquis par un autre aux caractéristiques identiques, à une réduction de prix ou à la résolution du contrat. ***Consultez les conditions la garantie sur www.leds-c4.com.**

Composition: Finitions: par trempage et/ou peintures époxy et matériaux nobles. Structures : laiton, acier et matériaux de fonte. Autres composants : albâtre, verre, abat-jour en tissu, bois et cuir.

ENTRETIEN: Déconnecter le luminaire du réseau d'alimentation avant de réaliser toute opération d'entretien. Ne pas utiliser d'ampoules d'un autre type ou d'une puissance supérieure à celle indiquée sur l'étiquette du luminaire. Au cours des opérations de nettoyage, pour garantir une meilleure conservation, utiliser un chiffon doux et sec. L'utilisation de produits abrasifs ou de solvants peut détériorer la finition du luminaire.

IMPORTANT: 1- Le raccordement électrique sera effectué par un technicien électricien. La manipulation interne ou externe du luminaire peut compromettre votre sécurité. LEDS-C4, S.A. n'est pas responsable des manipulations réalisées par l'utilisateur. 2- Si le câble ou le cordon du luminaire est endommagé, il devra être remplacé uniquement par le fabricant, le service technique ou quelqu'un de qualifié afin d'éviter tout risque éventuel. 3- Ne pas monter le luminaire sur une surface humide, récemment peinte ou présentant une forte conductivité électrique. 4- Tous les luminaires sans protection particulière contre la poussière ou l'humidité (sans marque IP) sont aptes à une utilisation en intérieur, à l'exception des salles de bains. 5- Utiliser des systèmes de fixation adaptés au poids de l'appareil. 6- Éloigner systématiquement les connexions et les câbles des points de chaleur du luminaire. 7- S'assurer que les conducteurs de l'installation ne sont pas endommagés par les vis de fixation. 8- Le luminaire ne doit en aucun cas être couvert. 9- Les lampes chauffent beaucoup en cours de fonctionnement. Ne les touchez qu'une fois refroidies, au bout de 15 minutes. 10- Ne pas accrocher ou appuyer d'éléments sur les luminaires.

SYMBOLES:



Ne pas recouvrir le luminaire avec du matériau isolant.



Luminaire superficiel non appropriée pour montage sur des surfaces normalement Inflammables.



Luminaire construite non appropriée pour montage sur des surfaces normalement Inflammables.



Tous les luminaires marqués de ce symbole sont de Classe I. Le conducteur de prise de terre est à relier à la borne marquée du symbole correspondant.



Tous les luminaires marqués de ce symbole appartiennent à la catégorie II. Aucune partie métallique d'un luminaire de catégorie II ne doit être raccordée à la terre de l'installation.



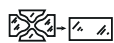
Tous les luminaires marqués de ce symbole appartiennent à la catégorie III, ce qui signifie qu'ils fonctionnent à très basse tension. Aucune partie métallique d'un luminaire de catégorie III ne doit être raccordée à la terre de l'installation.



Ce symbole désigne la distance minimale entre l'ampoule d'un luminaire et l'objet à éclairer.



Tous les luminaires marqués de ce symbole, sont uniquement prévus pour utiliser des lampes halogènes en wolfram ou lampes en halogénures métalliques avec écran de protection propre.



Tous les luminaires marqués de ce symbole doivent être équipés de l'écran de protection fourni avec l'appareil. Remplacer tout écran brisé ou défectueux.



Attention, risque de choc électrique.



Ne pas regarder directement la source de lumière en fonctionnement.



La présence, sur l'appareil ou l'emballage, du symbole de la corbeille à papier barrée d'un trait indique qu'en fin de vie le produit est à éliminer séparément des autres déchets.

(DEU) Garantieansprüche

Der Hersteller **LEDS-C4, S.A.** gewährleistet dem Endkunden (Verbraucher) für eine Garantielaufzeit von **5 Jahren*** ab Kaufdatum den einwandfreien Betrieb des Geräts sowie eventuell notwendige Reparaturen oder Ersatzteillieferungen für das Modell als Folge von Mängeln, die aus Herstellungsfehlern resultieren. Der Hersteller übernimmt jedoch keine Verantwortung für Schäden, die auf unsachgemäße Handhabung des Gerätes zurückzuführen sind. Bei einer Reklamation müssen die Garantiekarte und der Kaufbeleg mit eingeschickt werden. Unsere Firma verpflichtet sich zur vollständigen und kostenlosen Reparatur der am Produkt festgestellten Mängeln oder Störungen. Sollte die Reparatur nicht zufriedenstellend ausfallen und das instandgesetzte Modell nicht voll funktionstüchtig sein, hat der Garantieinhaber Anspruch auf Lieferung eines gleichwertigen Ersatzartikels, einen Preisnachlass oder die Vertragsauflösung mit Erstattung des Kaufpreises. ***Konsultieren Sie die Bedingungen der Garantie** auf www.leds-c4.com.

Bestandteile: Oberflächen: Epoxi Galvanisierung und/oder Farben und Edelmetalle. Lampenkörper: Messing, Stahl und Gussmetalle. Andere Bestandteile: Alabaster, Glas, Lampenschirme aus Stoff, Holz und Leder.

WARTUNG: Nehmen Sie vor allen Wartungsarbeiten die Netzsicherung heraus. Verwenden Sie nur Glühbirnen gleichen Typs und beachten Sie die auf dem Typenschild angegebene maximale Lampenleistung. Verwenden Sie bei Reinigungsarbeiten zur größtmöglichen Schonung der Lampe ein weiches, trockenes Tuch. Scheuer- und Lösungsmittel können die Oberfläche der Lampe angreifen.

WICHTIGE HINWEISE: 1- Der elektrische Anschluss sollte von einem Fachmann vorgenommen werden. Eigenmächtige Arbeiten im oder am Lampengehäuse können ein Sicherheitsrisiko darstellen. LEDS-C4, S.A. übernimmt keinerlei Haftung bei unsachgemäßen Eingriffen durch den Benutzer. 2- Falls das Stromzufuhrkabel oder die Stromzufuhrschnur dieser Leuchte beschädigt ist, darf diese aus Sicherheitsgründen nur durch den Hersteller selbst, seinen technischen Reparaturdienst oder einen entsprechend qualifizierten Fachmann ersetzt werden. 3- Die Leuchte darf nicht auf feuchten, kurz zuvor angestrichenen oder elektrisch leitenden Flächen installiert werden. 4- Die Leuchten ohne besonderen Schutz gegen das Eindringen von Staub und Feuchtigkeit (ohne IP Markierung) sind geeignet für den Gebrauch in Innenräumen, ausgenommen dem Badezimmer. 5- Benutzen Sie Befestigungsvorrichtungen, die dem Gewicht des Gerätes entsprechen. 6- Achten Sie darauf, dass die Stromanschlüsse und Leitungen möglichst weit von den Wärme abstrahlenden Stellen der Leuchte entfernt sind. 7- Versichern Sie sich, dass die Stromzufuhrkabel der Anlage nicht von den Befestigungsschrauben beschädigt werden. 8- Die Leuchte darf unter keinen Umständen abgedeckt werden. 9- Die Lampen werden während des Betriebs sehr heiß. Vor dem Anfassen mindestens 15 Minuten warten, bis sie etwas abgekühlt sind. 10- Keine Gegenstände an die Leuchten hängen oder an ihnen abstützen.

SYMBOLER:



Leuchten nicht mit Dämm-Material abdecken.



Oberflächliche Leuchten dürfen nicht auf unter normalen Bedingungen leicht entzündbaren Oberflächen angebracht werden.



Einbauleuchte dürfen nicht auf unter normalen Bedingungen leicht entzündbaren Oberflächen angebracht werden.



Alle mit diesem Symbol gekennzeichneten Leuchten sind der Klasse I. Der Erdungsanschluss muss an die mit dem Erdungssymbol gekennzeichneten Klemme angeschlossen werden.



Alle mit diesem Symbol gekennzeichneten Leuchten gehören der Klasse II an. Metallteile von Leuchten der Klasse II dürfen nicht mit der Erdung der elektrischen Installation in der Wohnung in Berührung kommen.



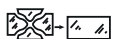
Alle mit diesem Symbol gekennzeichneten Leuchten sind Niederspannungsleuchten der Klasse III. Metallteile von Leuchten der Klasse III dürfen nicht mit der Erdung der elektrischen Installation in der Wohnung in Berührung kommen.



Dieses Symbol gibt den Mindestabstand zwischen der Lichtquelle und dem zu beleuchtenden Objekt an.



Sämtliche mit diesen Zeichen ausgestatteten Leuchten sind dazu entworfen worden, ausschließlich mit Wolfram-Halogenleuchten oder mit Metaldampf Leuchten mit eigenem Schutzschild bestückt zu werden.



Alle mit diesem Symbol gekennzeichneten Leuchten müssen mit dem beiliegenden Schutzschirm versehen werden. Tauschen Sie in jedem Fall den zerbrochenen oder fehlerhaften Schutz aus.



Vorsicht, Stromschlaggefahr.



Nicht direkt in die Lichtquelle blicken.



Das Symbol des durchgestrichenen Papierkorbs auf dem Gerät oder der Verpackung bedeutet, dass das Produkt am Ende seiner Nutzungsdauer als Sondermüll entsorgt werden muss.

