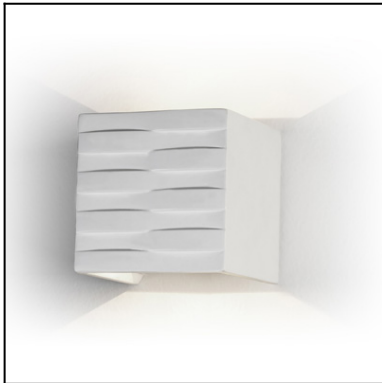
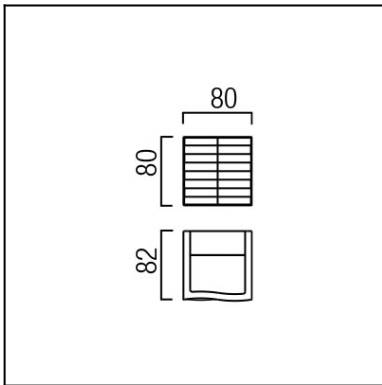


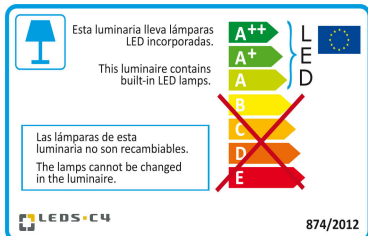
Design by Josep Patsí



The photograph may not match the reference exactly. Please read the product description to identify the finish.



[Download photometric file .ldt / .ies](#)



[Click on image to download energy label](#)

TECHNICAL CHARACTERISTICS

Type:	Wall fixture
IP Protection degrees:	IP20
Light source 1:	1 x LED Cree 4W Warm White - 3000K 324 lm ^(N) CRI 80
Voltage / Frequency:	100-240V/50-60Hz
Warranty (Years):	2
Option to extend the guarantee (Years):	5
Units per box:	12
Net Weight (Kg):	0.29
EAN:	8435381414139



MATERIALS / FINISHES

Structure material:	Polyurethane	Diffuser material:	Methacrylate
Structure finish:	Matt white	Diffuser finish:	Tinted

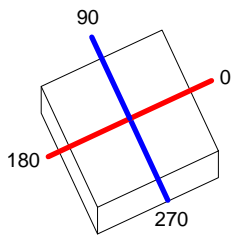
GEAR

Multi-voltage electronic gear included (110-240 V / 50-60 Hz)

Luminaire		Measur.		Lamp	
Code	05-2924-BW-M3	Code	05-2924-BW-M3	Code	05-2924-BW-M3
Name	Aplique STREAM led 4W	Name	Aplique STREAM led 4W	Number	1
Line	Eulumdat	Date	07-07-2014	Position	
Efficiency	100.00%	Coordinate system	CG	Total Flux	271.66 lm
Maximum value	57.52 cd	Position	C=90.00 G=5.00	Sym. on planes	270-90
Rectangular Luminaire	Length 80 mm	Width	80 mm	Height	80 mm
Rectangular Luminous Area	Length 45 mm	Width	65 mm	Height	80 mm
Horizontal Luminous Area	0.002925 m2	Emitting area on Plane 180°	0.003600 m2	Emitting area on Plane 270°	0.005200 m2
Emitting area on Plane 0°	0.003600 m2	Glare area at 76°	0.004201 m2		
Emitting area on Plane 90°	0.005200 m2				
Symmetry Type	Sym. on planes 270-90	Maximum Gamma Angle	180	Measurement Flux	271.66 lm
Measurement Distance	0.00				
Operator	Asselum T2	Source voltage			
Temperature	25.00 °C	Source current			
Humidity	60.00 %	Photocell			
Notes					

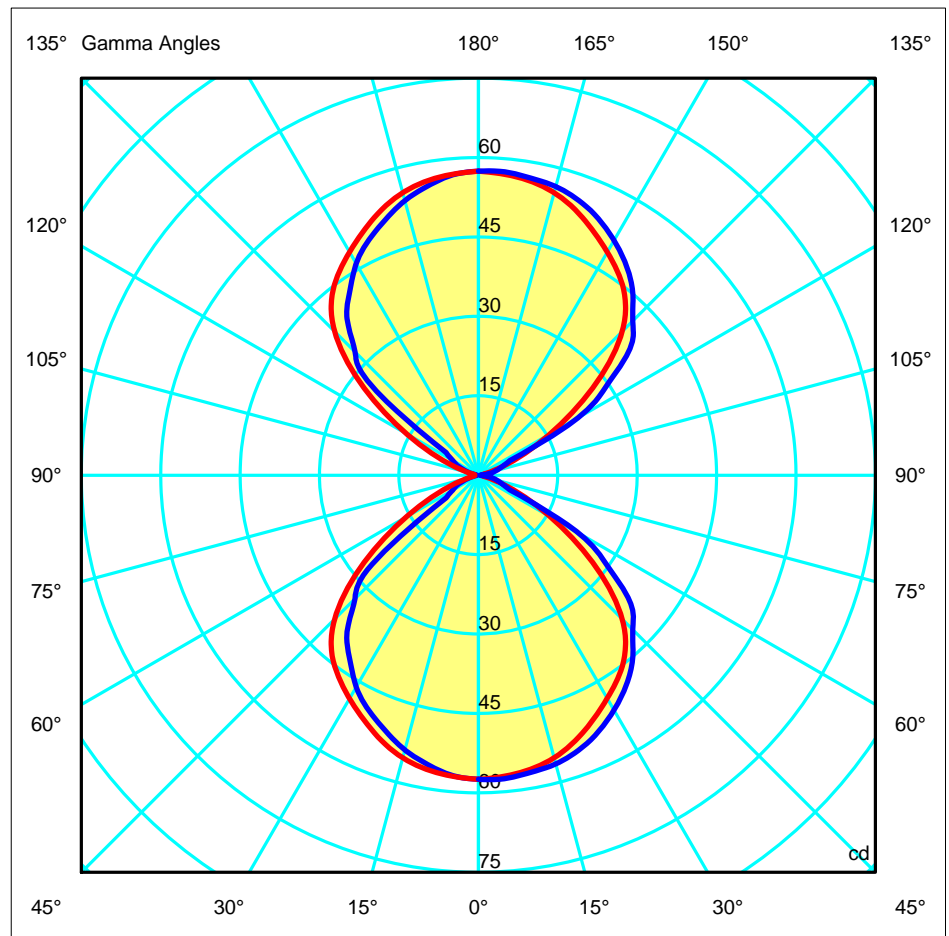
Luminaire Lamps						
Line	Code	Name	Flux [lm]	Pow. [W]	Q.ty	
Eulumdat	05-2924-BW-M3	05-2924-BW-M3 - 4.00 W	271.66	4.00	1	
C.I.E.	57 91 98 50 100	D DIN 5040				
F UTE	0.50 C + 0.50 T	B NBN				
		C41				
		BZ 3				

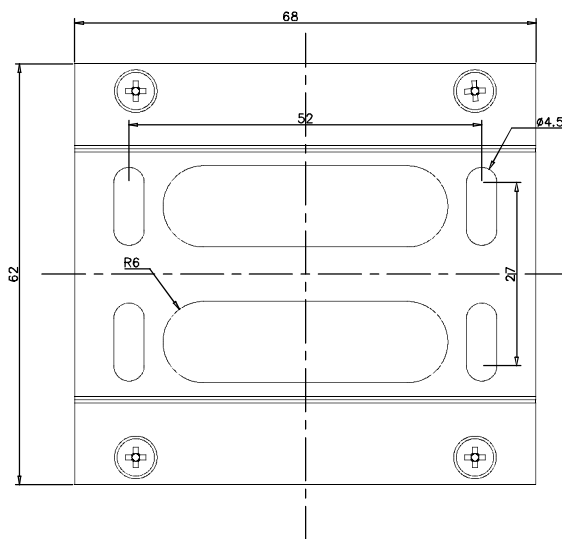
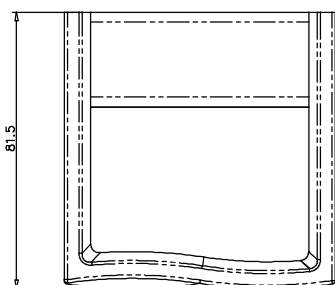
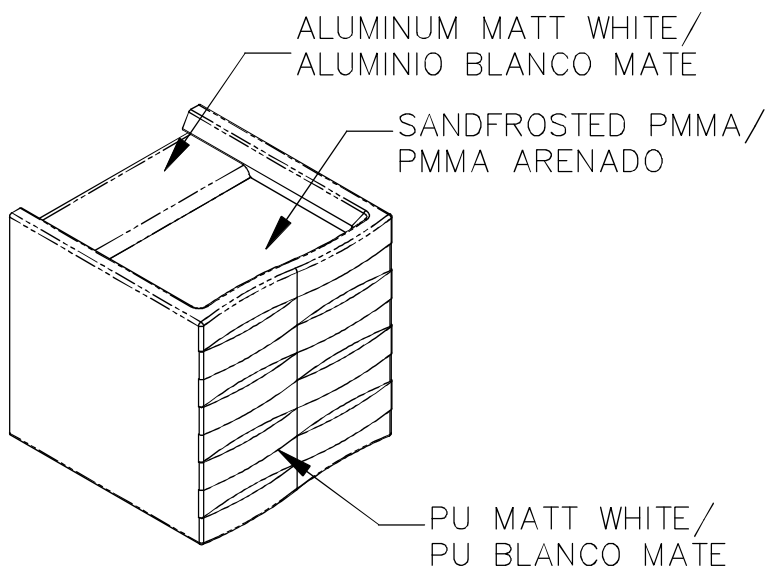
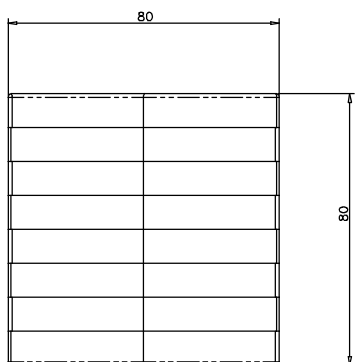
80mm x 80mm



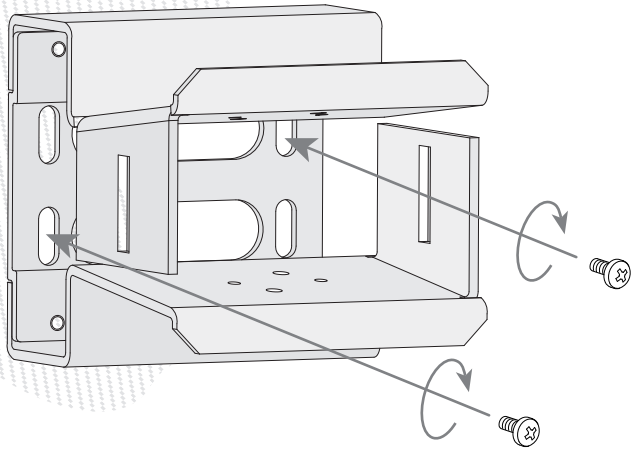
C Halfplanes
 270.0 ——— 0.0
 180.0 ——— 90.0

ULOR 50.00 %
 DLOR 50.00 %
 RN 50.00 %

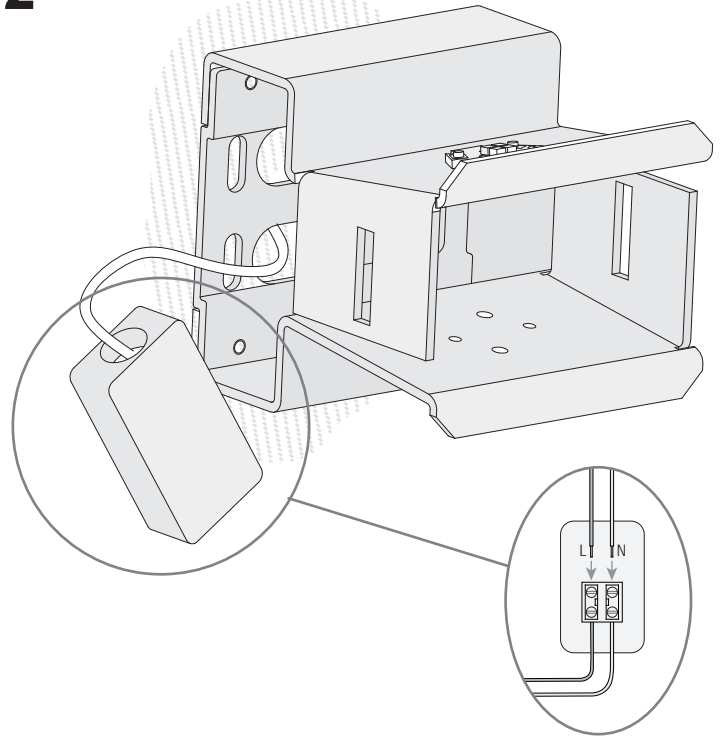




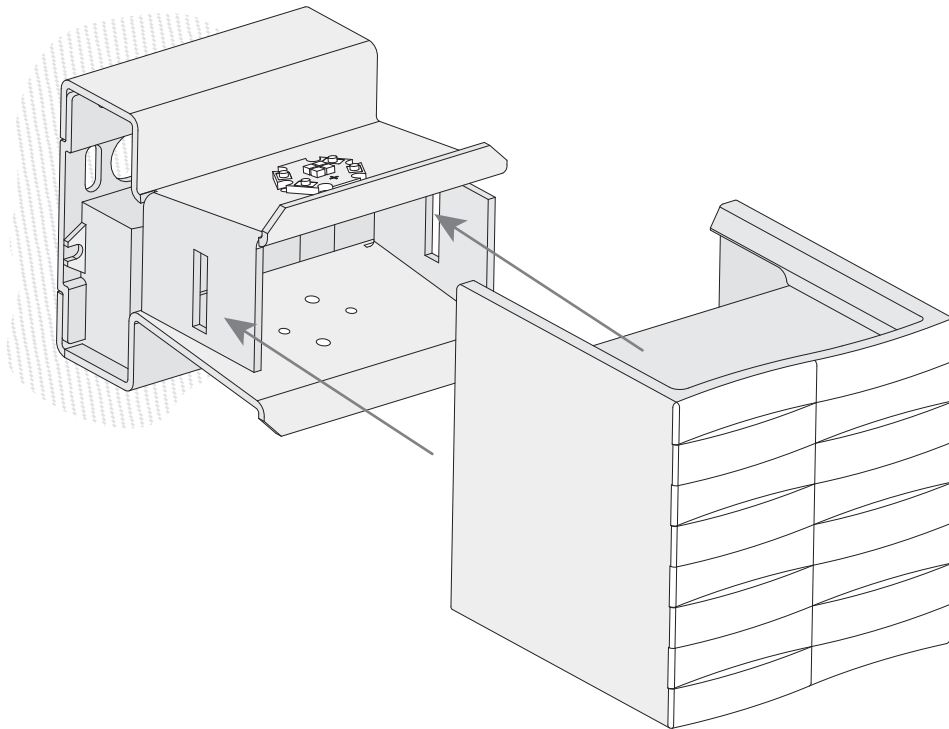
1



2



3



4

