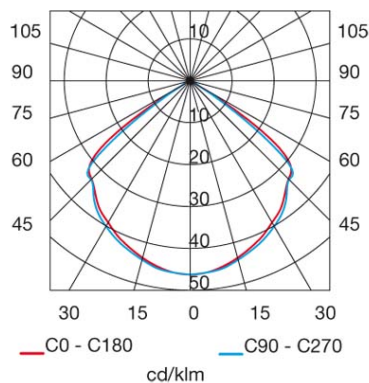
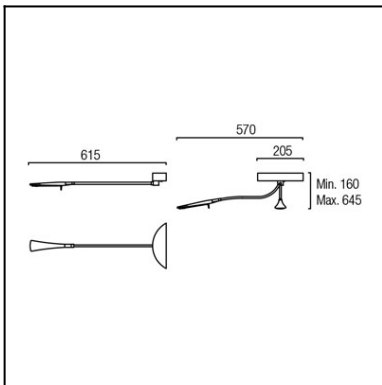


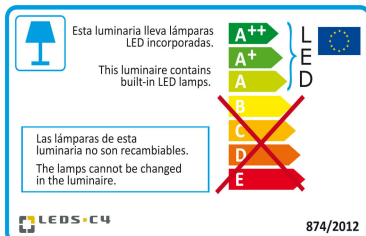
Design by Josep Patsí



The photograph may not match the reference exactly. Please read the product description to identify the finish.



Download photometric file .ldt / .ies



Click on image to download energy label

TECHNICAL CHARACTERISTICS

Type:	Wall fixture
Adjustable:	Adjustable $\pm 180^\circ$ on the vertical axis
IP Protection degrees:	IP20
Light source 1:	1 x LED Cree 4,5W Warm White - 3000K 383 lm ^(N) CRI 80
Voltage / Frequency:	100-240V/50-60Hz
Warranty (Years):	2
Option to extend the guarantee (Years):	5
Units per box:	6
Net Weight (Kg):	1.13
EAN:	8435111059043



MATERIALS / FINISHES

Structure material:	Aluminium	Diffuser material:	Polycarbonate
Structure finish:	Chrome	Diffuser finish:	Transparent

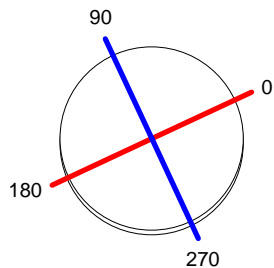
GEAR

Multi-voltage electronic gear included (110-240 V / 50-60 Hz)

Luminaire		Measur.		Lamp	
Code	05-2708-21-21	Code	05-2708-21-21	Code	LAMP 05-2708-21-21
Name	Aplique OPEN 4.5W led	Name	Aplique OPEN 4.5W led	Number	1
Line	IESNA-2002	Date	08-04-2010	Position	
Efficiency	100.00%	Coordinate system	CG	Total Flux	101.19 lm
Maximum value	46.26 cd	Position	C=0.00 G=0.00	Double Symmetrical	
Round Luminaire	Diam.	20 mm	Height	1 mm	
Round Luminous Area	Diam.	20 mm	Height	1 mm	
Horizontal Luminous Area	0.000314 m2	Emitting area on Plane 180°	0.000020 m2		
Emitting area on Plane 0°	0.000020 m2	Emitting area on Plane 270°	0.000020 m2		
Emitting area on Plane 90°	0.000020 m2	Glare area at 76°	0.000095 m2		
Symmetry Type	Double Symmetrical	Maximum Gamma Angle	90		
Measurement Distance	0.00	Measurement Flux	101.19 lm		
Operator		Source voltage			
Temperature	25.00 °C	Source current			
Humidity	60.00 %	Photocell			
Notes					

Luminaire Lamps						
Line	Code	Name	Flux [lm]	Pow. [W]	Q.ty	
IESNA-2002	LAMP 05-2708-21-21	LAMP 05-2708-21-21 - 4.00 W	101.19	4.00	1	
C.I.E.	62 98 100 100 100	D DIN 5040	A50			
F UTE	1.00 C	B NBN	BZ 3 / 0.8 / BZ 2			

Diam=20mm



C Halfplanes

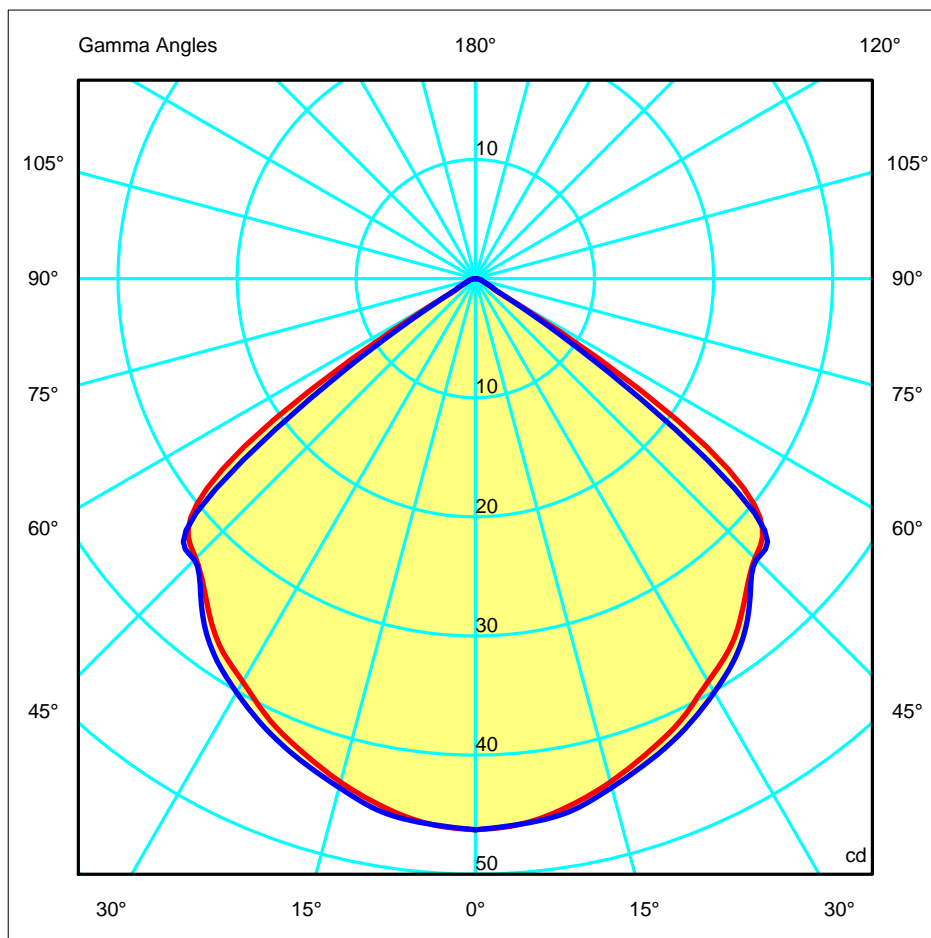
180.0 — 0.0

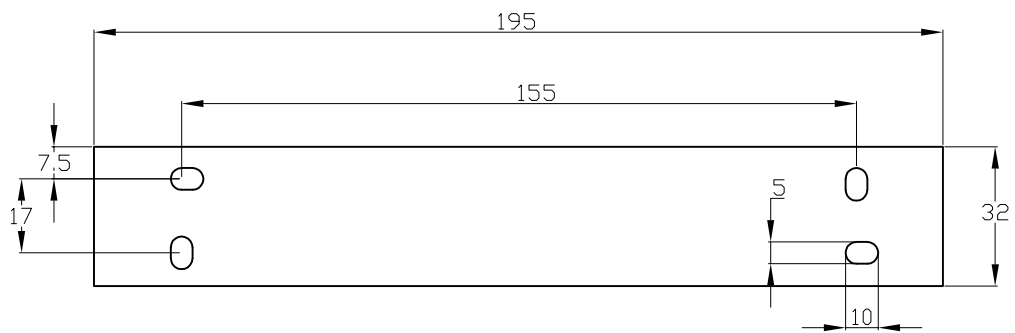
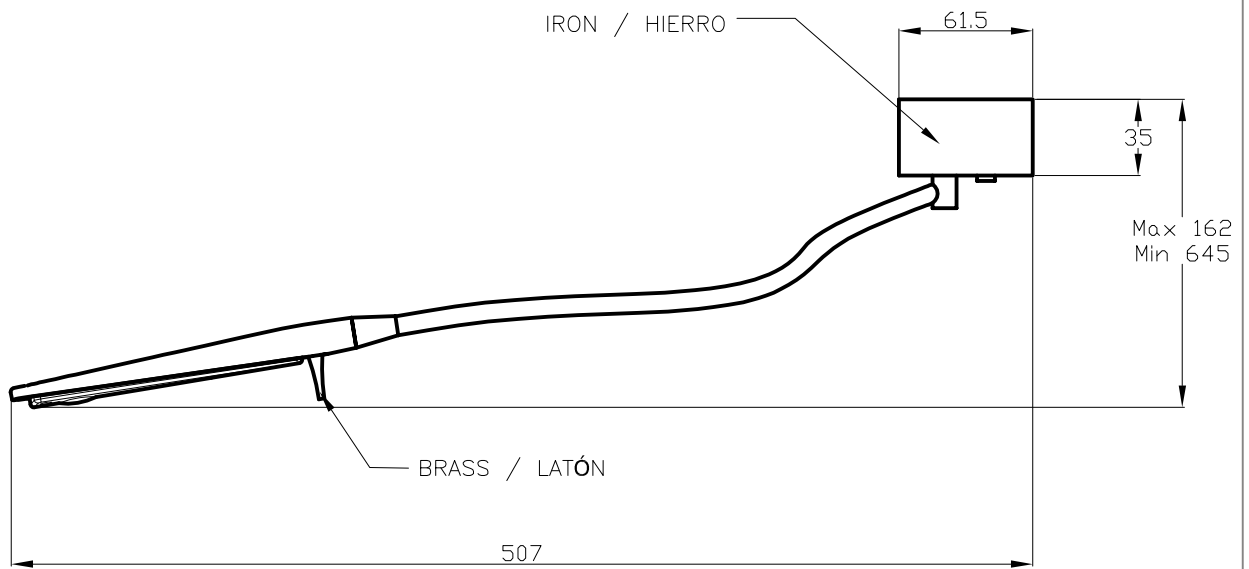
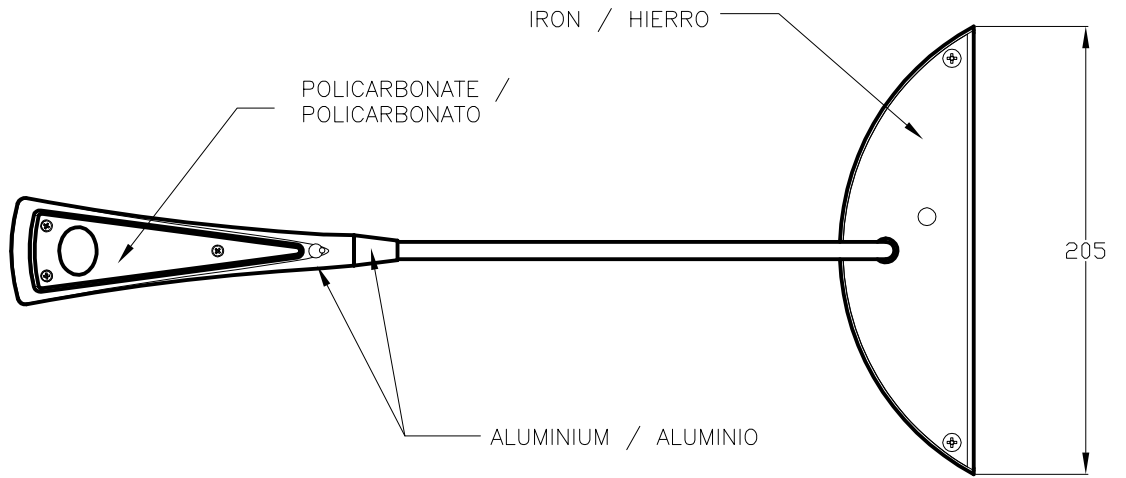
270.0 — 90.0

ULOR 0.00 %

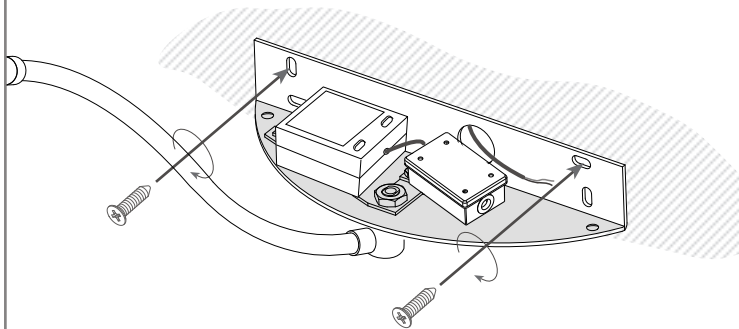
DLOR 100.00 %

RN 0.00 %

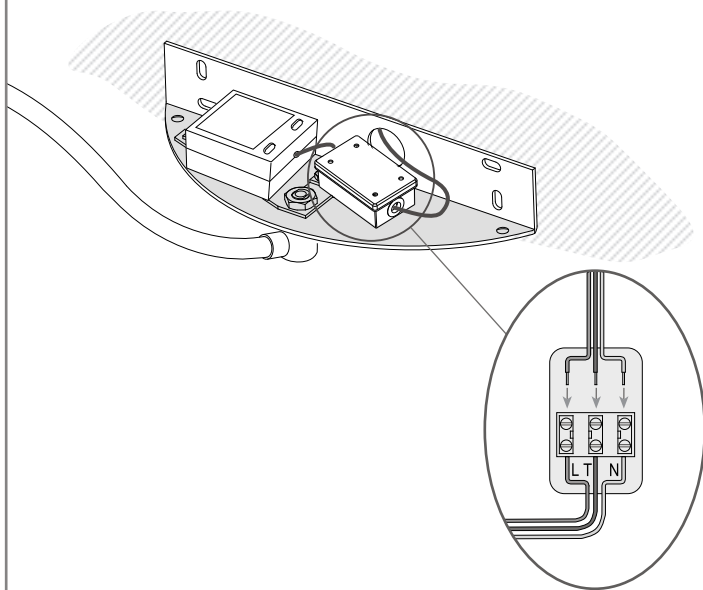




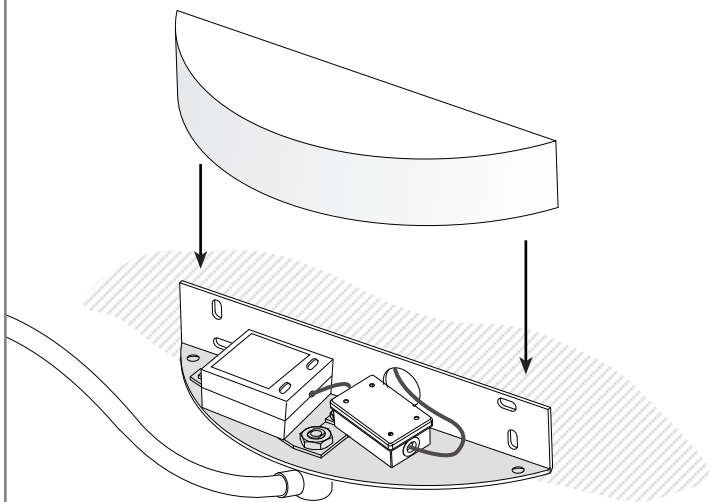
1



2



3



4

