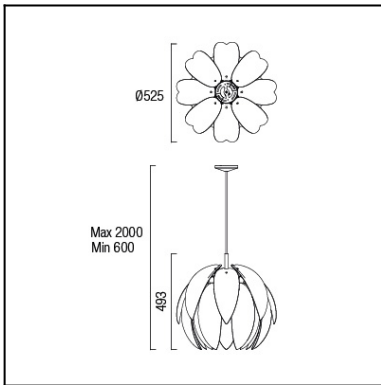


Design by WIS Design



The photograph may not match the reference exactly. Please read the product description to identify the finish.



TECHNICAL CHARACTERISTICS

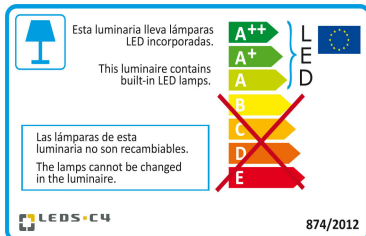
Type:	Pendant
IP Protection degrees:	IP20
Light source 1:	1 x E27 MAX.30W Maximum lamp length: 176.00 mm
Total power consumption (W):	30
Voltage / Frequency:	220-240V/50-60Hz
Units per box:	1
Net Weight (Kg):	2.005
EAN:	8435381418083



MATERIALS / FINISHES

Structure material:	Methacrylate Steel	Diffuser material:	Plush
Structure finish:	Transparent Matt white	Diffuser finish:	Green

Download photometric file .ldt / .ies

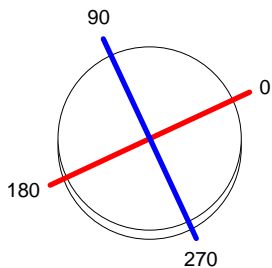


Click on image to download energy label

Luminaire		Measur.		Lamp	
Code	00-3813-BW-08	Code	00-3813-BW-34	Code	DLX EL LL 30W827E27
Name	Colgante LEAF 30W E27	Name	Colgante LEAF 30W E27	Number	1
Line	Eulumdat	Date	18-09-2014	Position	
Efficiency	19.58%	Coordinate system	CG	Total Flux	1900.00 lm
Maximum value	147.51 cd	Position	C=120.00 G=30.00	Asymmetrical	
Round Luminaire	Diam.	525 mm	Height	493 mm	
Round Luminous Area	Diam.	525 mm	Height	493 mm	
Horizontal Luminous Area	0.216475 m2	Emitting area on Plane 180°	0.258825 m2		
Emitting area on Plane 0°	0.258825 m2	Emitting area on Plane 270°	0.258825 m2		
Emitting area on Plane 90°	0.258825 m2	Glare area at 76°	0.303507 m2		
Symmetry Type	Asymmetrical	Maximum Gamma Angle	180		
Measurement Distance	0.00	Measurement Flux	1900.00 lm		
Operator	Asselum T2	Source voltage			
Temperature	25.00 °C	Source current			
Humidity	60.00 %	Photocell			
Notes					

Luminaire Lamps					
Line	Code	Name	Flux [lm]	Pow. [W]	Q.ty
Eulumdat	DLX EL LL 30W827E27	DLX EL LL 30W827E27 - 30.00 W	1900.00	30.00	1
C.I.E.	50 79 94 91 20	D DIN 5040			
F UTE	0.18 E + 0.02 T	B NBN			
		A31			
		BZ 4 / 3 / BZ 5			

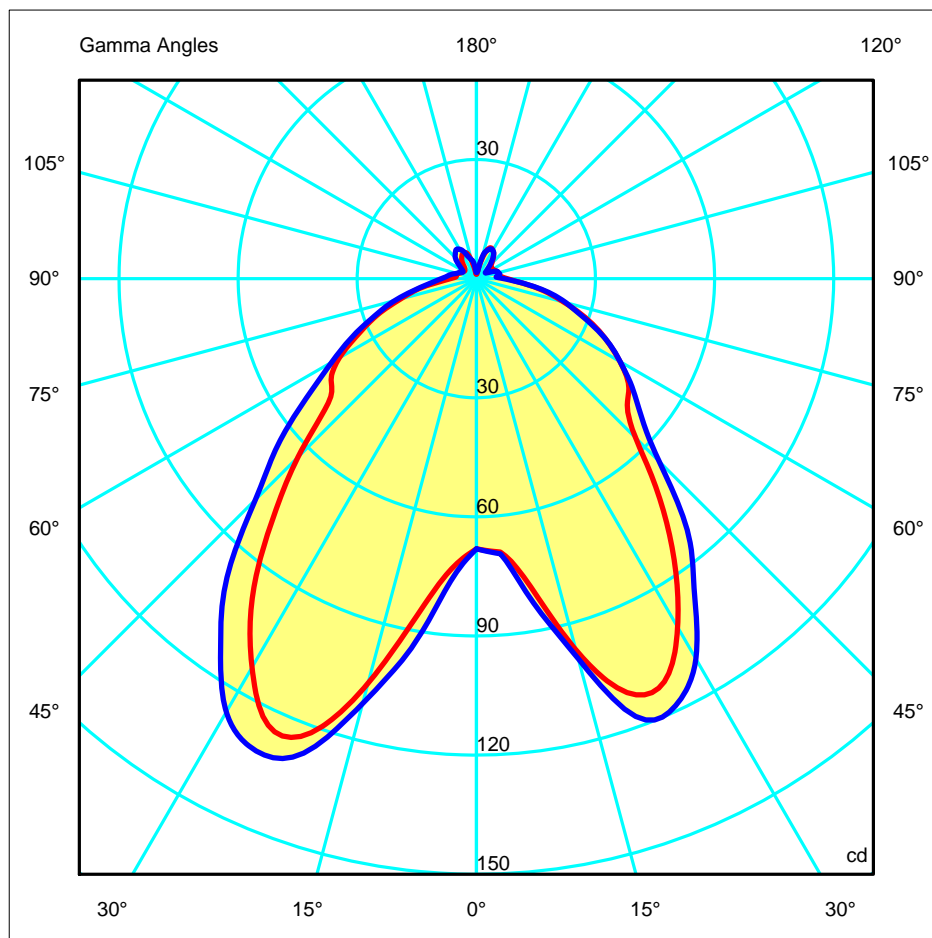
Diam=525mm

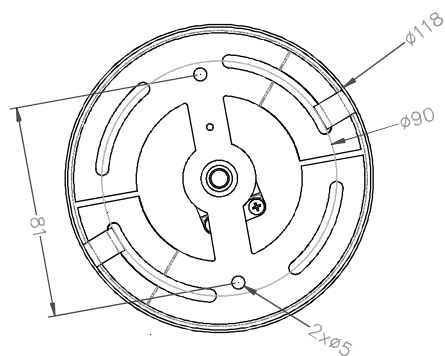
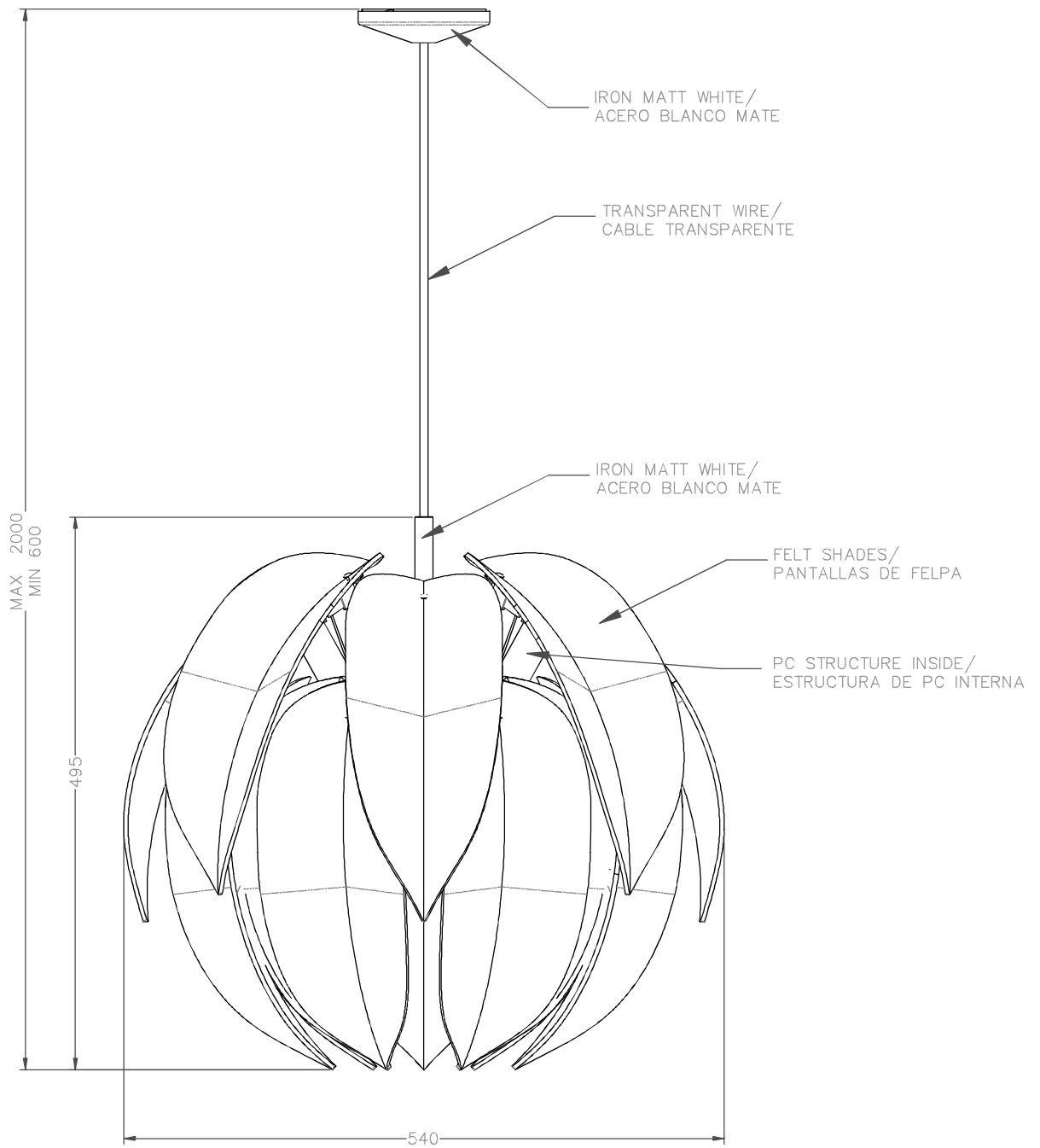


C Halfplanes

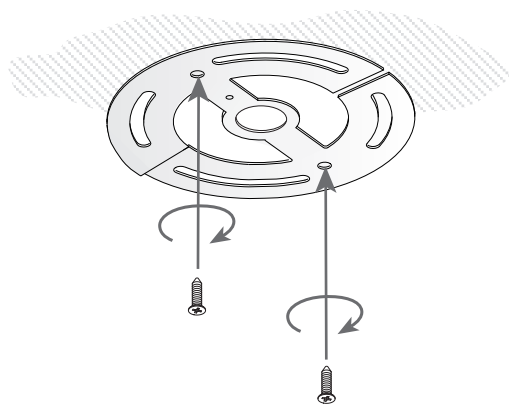
180.0 — 0.0
270.0 — 90.0

ULOR 1.78 %
DLOR 17.79 %
RN 9.12 %

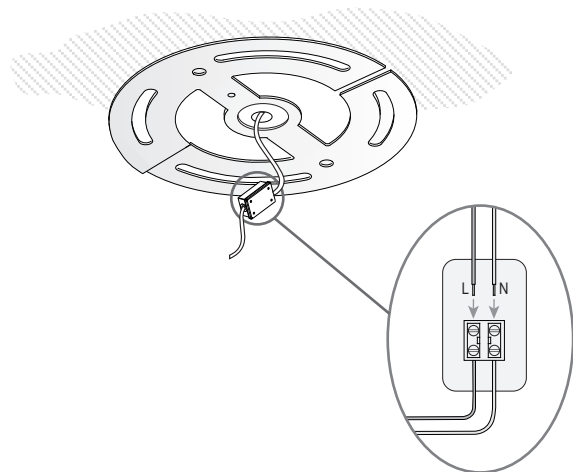




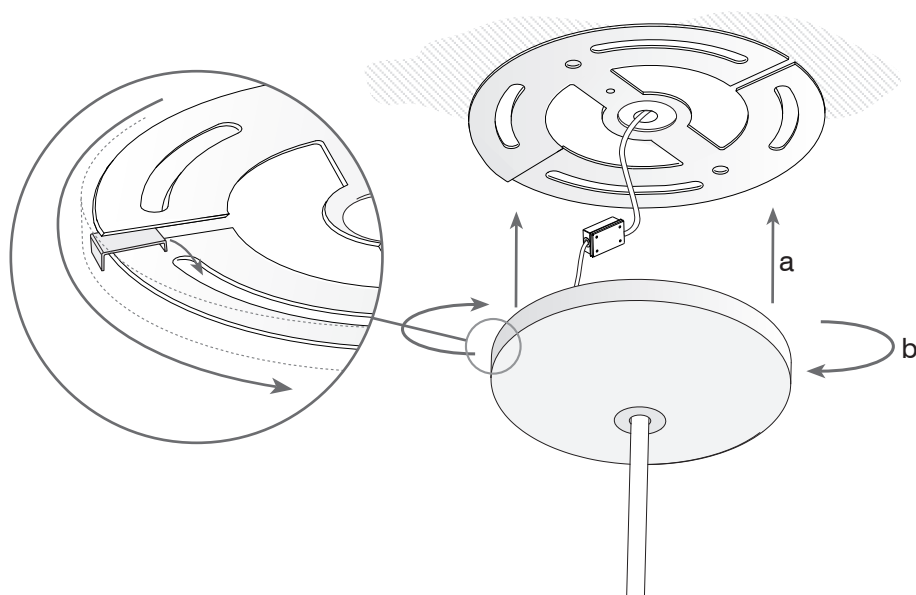
1



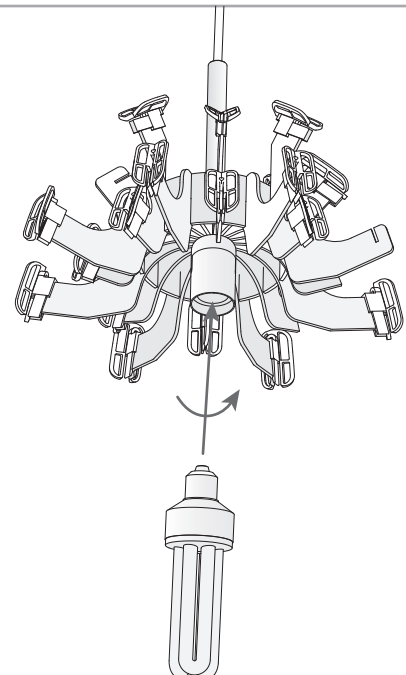
2



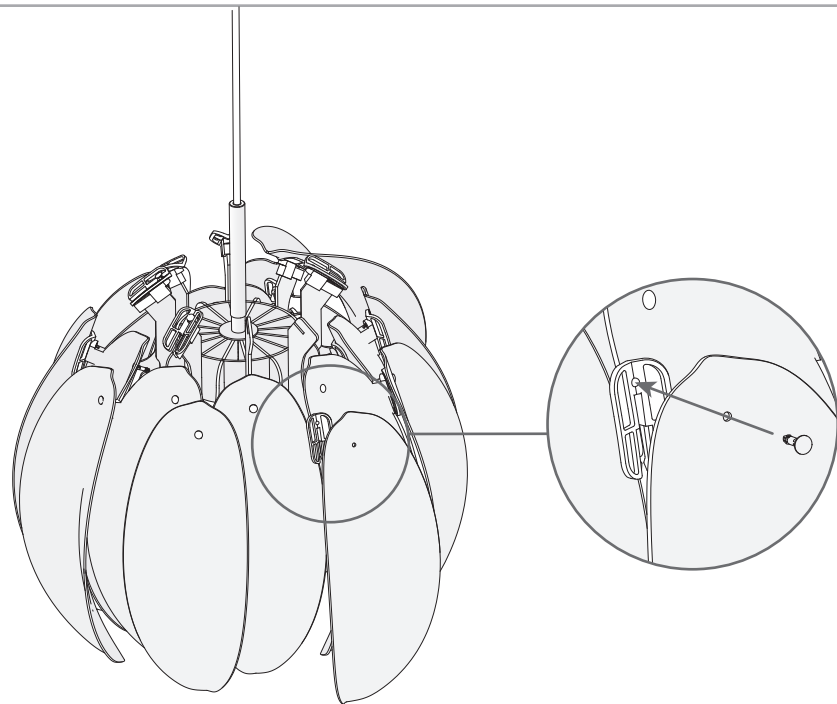
3



4



5



6

