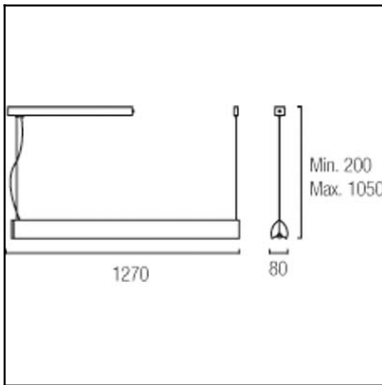


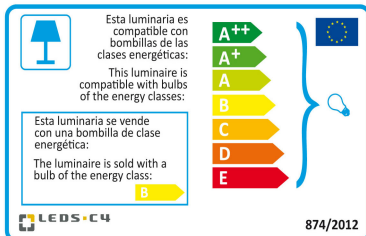
Design by Benedito Design



The photograph may not match the reference exactly. Please read the product description to identify the finish.



Download photometric file .ldt / .ies



Click on image to download energy label

TECHNICAL CHARACTERISTICS

Type:	Pendant
IP Protection degrees:	IP20
Light source 1:	1 x G5 54W Neutral white (5000 - 3700 K)
Bulb included:	1 x G5 54W. Neutral white (5000 - 3700 K)
Voltage / Frequency:	220-240V/50-60Hz
Warranty (Years):	2
Units per box:	1
Net Weight (Kg):	3.7
EAN:	8435071404105



MATERIALS / FINISHES

Structure material:	Satin aluminium	Diffuser material:	Aluminium
Structure finish:	Anodized	Diffuser finish:	Anodized

GEAR

Gear included: Yes, electronic

Max 1050
Min 200

