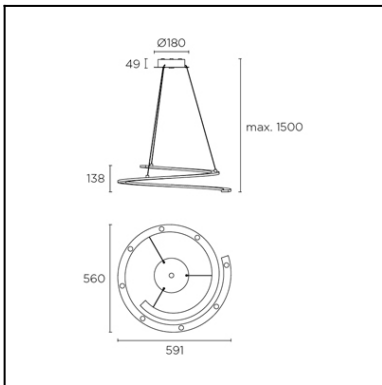
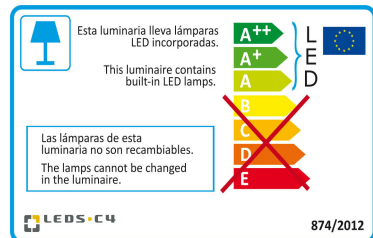




The photograph may not match the reference exactly. Please read the product description to identify the finish.



[Download photometric file .ldt / .ies](#)



[Click on image to download energy label](#)

### TECHNICAL CHARACTERISTICS

Type:	Pendant
IP Protection degrees:	IP20
Light source 1:	8 x LED Cree 24W Warm White - 3000K 1296 lm <sup>(N)</sup> CRI 80
Voltage / Frequency:	100-240V/50-60Hz
Warranty (Years):	2
Option to extend the guarantee (Years):	5
Units per box:	4
Net Weight (Kg):	2
EAN:	8435381425807



### MATERIALS / FINISHES

<b>Structure material:</b>	Aluminium	<b>Diffuser material:</b>	Polycarbonate
<b>Structure finish:</b>	Matt white	<b>Diffuser finish:</b>	Tinted

### GEAR

Multi-voltage electronic gear included (100-240V / 50-60Hz)

Lm<sup>(N)</sup>: Nominal flow of light in actual working conditions. Its actual flow will depend on the environmental conditions and the efficiency of the optics and/or diffuser.

LEDS-C4 reserves the right to make the necessary technical changes they deem adequate, in order to improve the features of the product.

Please consult the sales team to clarify any doubt.

## RESUMEN INFORME DE ENSAYO

### LED'S C4

00-4835-14-14

Referencia de ensayo: 310

Fecha del informe: 9-6-15

Resumen

Informe de prueba fotométrica.

Matriz de intensidades	SI
Diagrama polar	SI
Diagrama cartesiano	SI
Fichero eulumdat	SI
Fichero IESNA	-----
Fichero OXL	-----

Informe de prueba colorimétrica -----



Responsable laboratorio



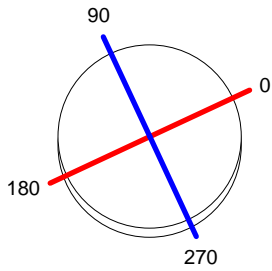
Enginyer tècnic  
industrial  
Col·legi d'Enginyers tècnics  
industrials de Barcelona

Director Técnico

<b>Luminaire</b>		<b>Measur.</b>		<b>Lamp</b>	
Code	00-4835-14-14	Code	00-4835-14-14	Code	00-4835-14-14
Name	Colgante CURL 8 leds 24W	Name	Colgante CURL 8 leds 24W	Number	1
Line	- LEDS C4 LEDS	Date	09-06-2015	Position	Universal
Efficiency	100.00%	Coordinate system	CG	Total Flux	774.56 lm
Maximum value	289.87 cd	Position	C=0.00 G=0.00	Double Symmetrical	
Round Luminaire	Diam.	600 mm	Height	150 mm	
Round Luminous Area	Diam.	580 mm	Height	0 mm	
Horizontal Luminous Area	0.264208 m2	Emitting area on Plane 180°	0.000000 m2		
Emitting area on Plane 0°	0.000000 m2	Emitting area on Plane 270°	0.000000 m2		
Emitting area on Plane 90°	0.000000 m2	Glare area at 76°	0.063918 m2		
Symmetry Type	Double Symmetrical	Maximum Gamma Angle	180		
Measurement Distance	6.44	Measurement Flux	774.55 lm		
Operator	Asselum T2	Source voltage	230.00 V		
Temperature	24.00 °C	Source current			
Humidity	51.00 %	Photocell	Prc		
Notes					

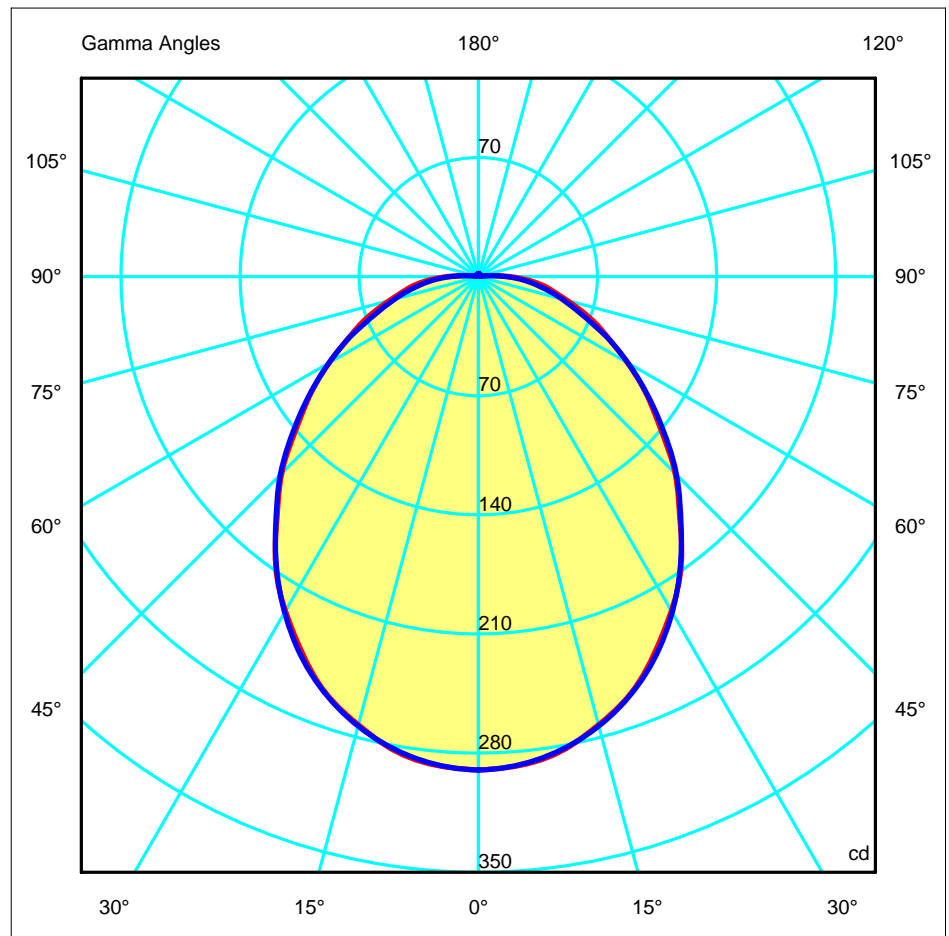
Luminaire Lamps					
Line	Code	Name	Flux [lm]	Pow. [W]	Q.ty
- LEDS C4 LEDS	00-4835-14-14	Lámpara leds 24W	774.56	24.00	1
C.I.E.	48 77 93 98 100	D DIN 5040	A31		
F UTE	0.98 E + 0.02 T	B NBN	BZ 4 / 1 / BZ 5		

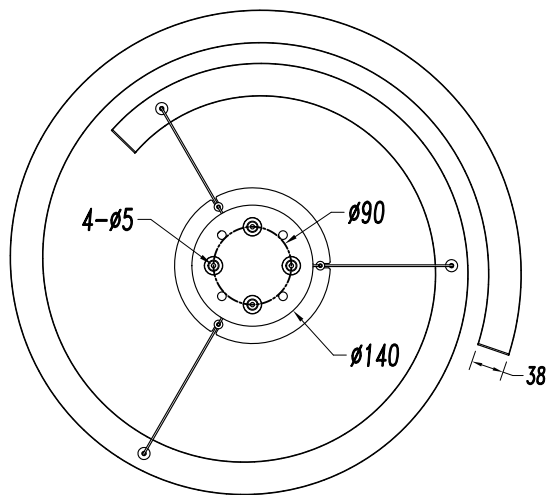
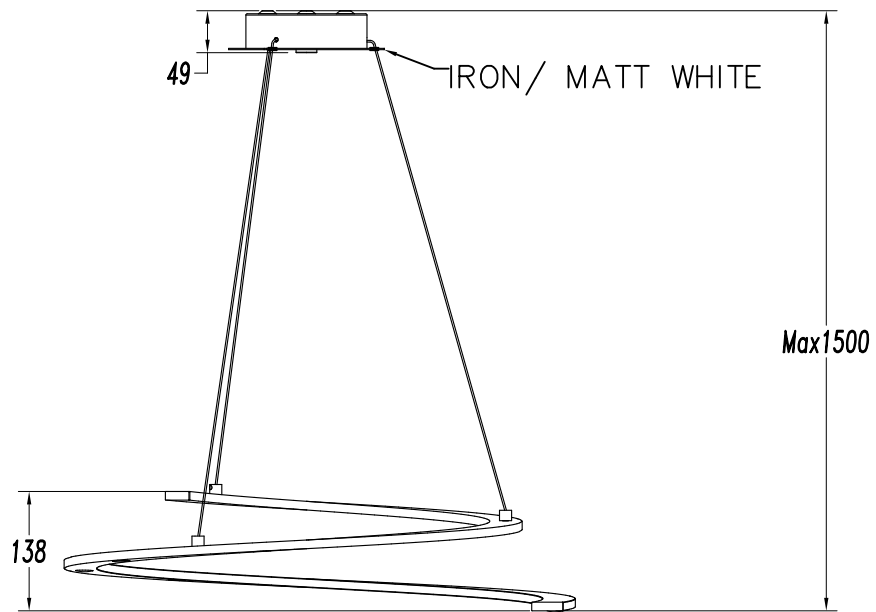
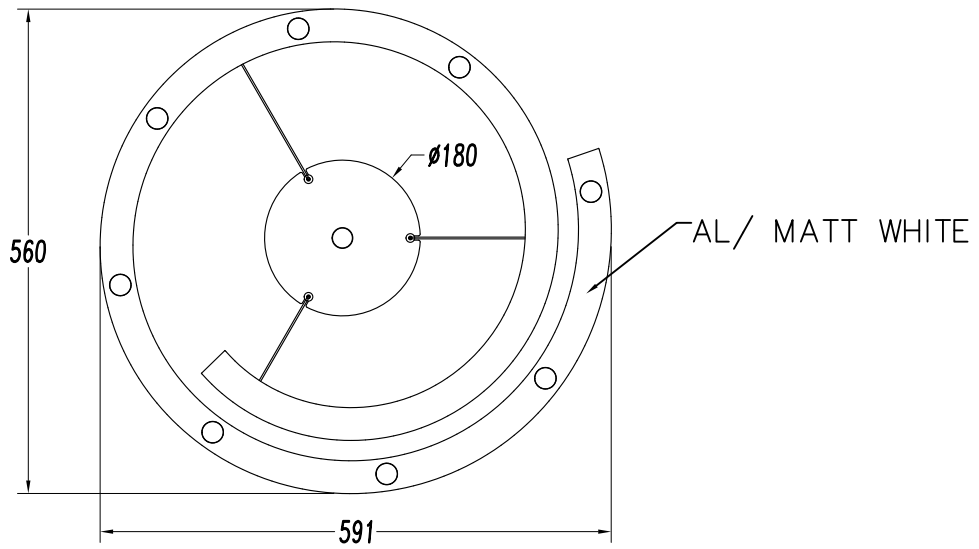
Diam=600mm



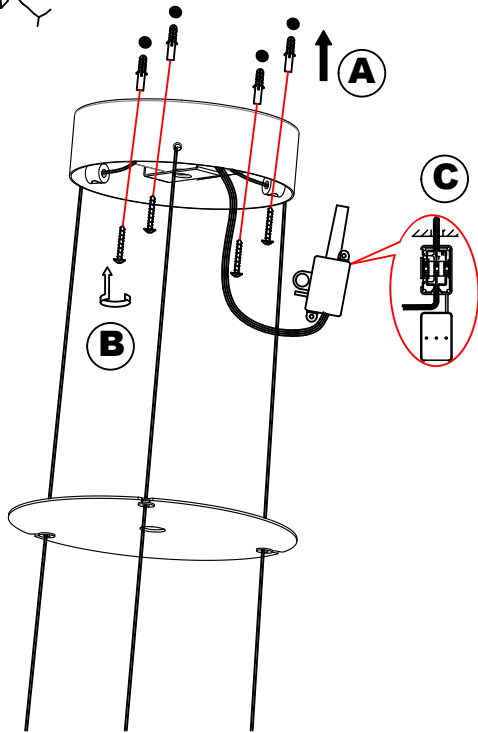
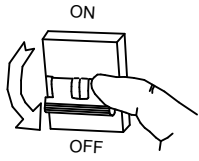
C Halfplanes  
 180.0 — 0.0  
 270.0 — 90.0

ULOR 2.23 %  
 DLOR 97.77 %  
 RN 2.23 %

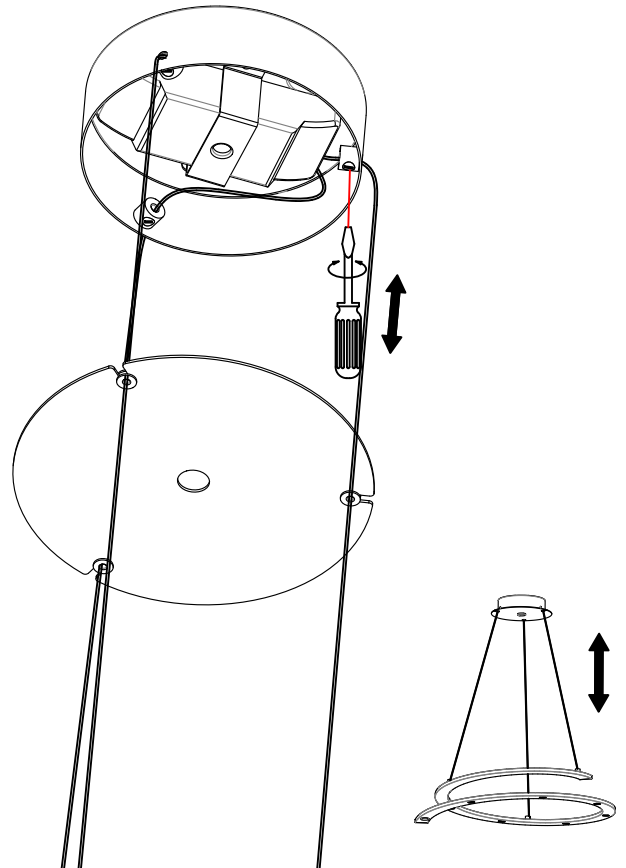




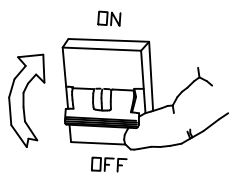
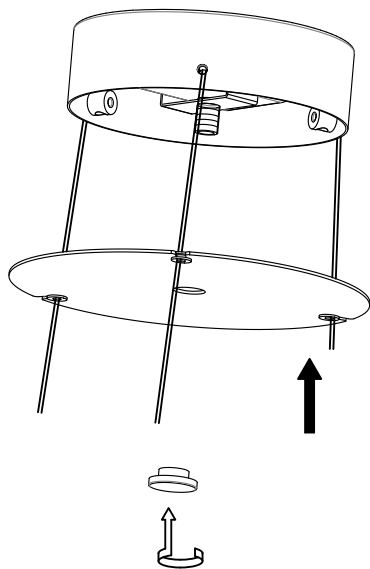
**1**



**2**



**3**



**4**

